

UNITRONIX Pty Ltd

PO Box 486, Morisset NSW 2264

NSW: Tel: 61 2 4977 3511 Fax: 61 2 4977 3522

WA: Tel: 61 8 9455 2424 Fax: 61 8 9455 2458

unitsyd@unitronix.com.au www.unitronix.com.au

DiskOnModule

Gaia HAV40 Series



Table of Contents

1. Product Description 1

 1.1 PRODUCT OVERVIEW 1

 1.2 PRODUCT FEATURE 1

 1.3 SYSTEM REQUIREMENT 2

2. Specification 3

 2.1 PHYSICAL SPECIFICATION 3

 2.2 ELECTRONIC SPECIFICATIONS 5

 2.3 PERFORMANCE SPECIFICATIONS 6

 2.4 ENVIRONMENTAL SPECIFICATION 6

 2.5 RELIABILITY SPECIFICATION 7

 2.6 COMPLIANCE SPECIFICATIONS 7

3. Function 8

 3.1 SWITCH SETTING 8

 3.2 PIN SIGNAL ASSIGNMENT 9

 3.3 DISKONMODULE CAPACITY AND CYLINDER, HEAD, SECTOR 10

 3.4 SUPPORT ATA COMMANDS 10

4. Operation Specification 44

 4.1 ABSOLUTE MAXIMUM RATINGS 44

 4.2 PIO MODE READ/WRITE TIMING 44

 4.3 MULTIWORD DMA MODE READ/WRITE TIMING SPECIFICATION 46

 4.4 ULTRA DMA MODE READ/WRITE TIMING SPECIFICATION 48

5. Installation 61

 5.1 INSTALLATION 61

 5.2 PARTITION 61

 5.3 FORMAT 61

6. Troubleshooting 62

 6.1 BIOS CAN NOT IDENTIFY DISKONMODULE 62

 6.2 DOM CAN NOT BOOT THE SYSTEM 62

7. Ordering Information 63

8. Contact Information 63

List of Figures

Figure 1: DiskOnModule Overlook Diagram3

Figure 2: DiskOnModule Block Diagram5

Figure 3: Master/Slave Function Switch.....8

Figure 4: Write Protect Switch.....8

Figure 5: Pin Order of the Connector9

Figure 6: PIO Mode Timing Diagram.....45

Figure 7: Multiword DMA Read/Write Timing Diagram.....47

Figure 8: Ultra DMA Data-In Burst Initiation Timing51

Figure 9: Sustained Ultra DMA Data-In Burst52

Figure 10: Ultra DMA Data-In Burst Host Pause Timing53

Figure 11: Ultra DMA Data-In Burst Device Termination Timing54

Figure 12: Ultra DMA Data-In Burst Host Termination Timing.....55

Figure 13: Ultra DMA Data-Out Burst Initiation Timing.....56

Figure 14: Sustained Ultra DMA Data-Out Burst Timing57

Figure 15: Ultra DMA Data-Out Burst Device Pause Timing.....58

Figure 16: Ultra DMA Data-Out Burst Device Termination Timing59

Figure 17: Ultra DMA Data-Out Burst Host Termination Timing60

List of Tables

| | |
|--|----|
| Table 1: Model Definition | 4 |
| Table 2: DiskOnModule Physical Dimension..... | 4 |
| Table 3: ATA connector pin definitions | 9 |
| Table 4: DiskOnModule Capacity and Cylinder, Head, Sector..... | 10 |
| Table 5: ATA Command Set..... | 10 |
| Table 6: Diagnostic Codes..... | 12 |
| Table 7: Identify Device Information | 13 |
| Table 8: Extended Error Codes | 28 |
| Table 9: Feature Supported..... | 29 |
| Table 10: Transfer mode values | 30 |
| Table 11: Advanced power management levels | 31 |
| Table 12: SMART Feature register values | 33 |
| Table 13: Device SMART Data Structure | 35 |
| Table 14: Translate Sector Information | 40 |
| Table 15: PIO Mode Read/Write Timing..... | 44 |
| Table 16: Multiword DMA mode Read/Write Timing..... | 46 |
| Table 17: Ultra DMA Data Burst Timing Requirements | 48 |
| Table 18: Ultra DMA Data Burst Timing Descriptions..... | 49 |
| Table 19: Ultra DMA Sender and Recipient IC Timing Requirements..... | 50 |
| Table 20: Ultra DMA AC Signal Requirements | 50 |
| Table 21: HAV40 Ordering Information..... | 63 |

| Revision | Date | Major Changes |
|----------|------------|---|
| 1.1 | 2008/12/24 | <ol style="list-style-type: none"> 1. Remove the note description in Table 2: Model definition. 2. Correct the pin assignment of Pin 20 from NC to Vcc in Table 3: ATA connector pin definitions. 3. Correct the notice of the connector in Table 3 ATA connector pin definitions. 4. Update product model form AV40 to HAV40. |
| A.0 | 2009/3/16 | <ol style="list-style-type: none"> 1. Add product picture 2. Revise the notice in Section 2.6 3. Modify the notice in Section 6.2 4. Update the contact information in Section 8 |
| A.1 | 2009/9/7 | <ol style="list-style-type: none"> 1. Add product picture 2. copyright 2009 3. 2.2.3 Capacity 128MB-8GB 4. 2.3.5 Global Wear-Leveling 5. 2.4.3 Bare Drop Testing Testing Conditions: 75cm height 6. 2.4.4 Vibration Sine Vibration (Non-Operating): Testing Specification : 15Grms 7. 5.Installation release new picture |

Copyright Information

Copyright © 2009, CoreSolid Storage Corporation. All rights reserved.

The information and specifications provided in this document should be used for comparative analysis and reference purposes. The content of this document is subject to change without prior notice.

1. Product Description

1.1 Product Overview

HAV40 series is **DiskOnModule** (DOM) based on FLASH memory controller technology. This product complies with 40 or 44 PIN IDE (ATA) standard interface and is suitable for data storage media, code storage device, or boot disk for embedded systems, such as PC or other electric equipments. This DOM is equipped with NAND FLASH memory. By using **DOM**, it is possible to operate good performance for the systems, which have IDE interface. With small form factor, the applicable appliance can add or install this IDE storage device on its Mother Board or Complete set.

HAV40 series provides standard security mode that allows a host to implement a security password system to prevent unauthorized access to the DiskOnModule.

Application Fields:

- Industrial PC and Thin Client
- Entertainment/Consumer Electronic Device
- Game and Telecommunication Machine
- Ticketing, Examining, testing machine
- Army, Health and Production Equipment and Machine
- Other machines and Equipments with IDE Interface

1.2 Product Feature

- Small form factor with IDE (ATA) Standard Interface connector
- High performance.
- Support PIO Mode 4, Multi word DMA mode 2, and Ultra DMA mode 4.
- High reliability with robust Error Correction.
- Low power consumption.
- Support ATA security mode.
- Cable control for Master mode.
- Option model with switch for hardware write protect function.
- Operating as Boot Disk or Code Storage Device for Embedded Operating System
- Data Storage Device with capacity up to 8GB.
- Voltage 3.3V or 5.0V operation.

Notice: The performance will depend on different platform with different test result.

1.3 System Requirement

The Host system which is connected to DiskOnModule should meet system requirements at minimum.

1.3.1 Power Requirement

- Voltage: DC +3.3V \pm 5% or DC +5.0V \pm 10%

1.3.2 Operating System

- DOS
- Windows 98SE/ME/2000/XP/Vista
- WinXP Embedded/WinCE
- Linux

1.3.3 Interface

- IDE (ATA) Standard Interface.

2. Specification

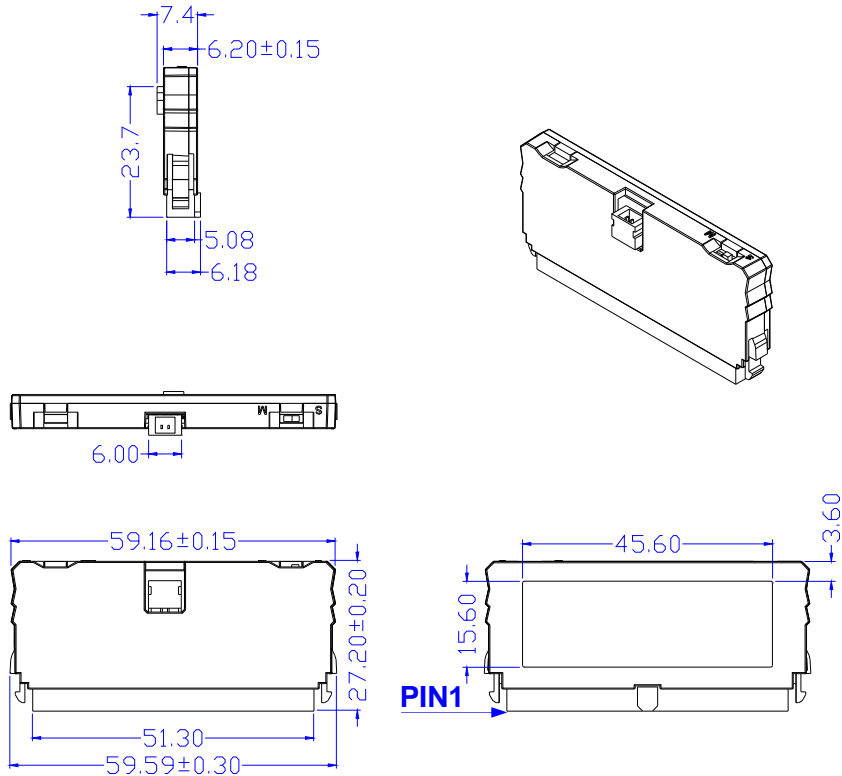
2.1 Physical Specification

2.1.1 Overlook & Dimension

The overlook views of DiskOnModule are illustrated in Figure 1.

Notice: The switch for Write Protect is optional.

- 40Pin:



- 44Pin

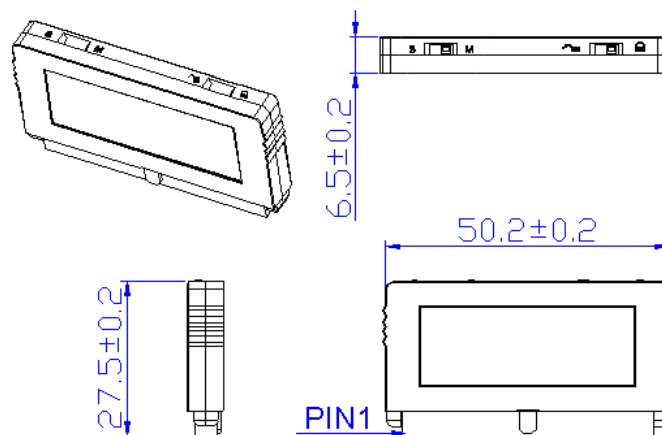


Figure 1: DiskOnModule Overlook Diagram

The Dimension of HAV40 is showed below:

Table 1: DiskOnModule Physical Dimension

| Pin Count | 40 Pins | 44 Pins |
|-----------|-----------------|-------------------|
| Length | 59.59 ± 0.30 mm | 50.20mm ± 0.20 mm |
| Width | 27.20 ± 0.20 mm | 27.50 ± 0.20 mm |
| Thickness | 7.40 ± 0.30 mm | 6.50 ± 0.20 mm |

2.1.2 Model Definition

In order to fit different applications, HAV40 provides several models for physical requirements. The major change factors are connector type and the location. Table 1 shows the detail definitions for these models.

Table 2: Model Definition

| Model Name | Pin no. | Side A | Side B | Note |
|-------------------|---------|--------|--------|------|
| HAV40xxxxxR0xx0xx | 40 Pin | Female | - | |
| HAV40xxxxxR8xx0xx | 44 Pin | Female | - | |

2.1.5 Weight

- DiskOnModule Weight: <12g

2.2 Electronic Specifications

2.2.1 Product Definition

DiskOnModule is designed to operate and work as Data or Code Storage device by NAND Flash Memory and its Controller through IDE (ATA) Standard Interface to Host Systems.

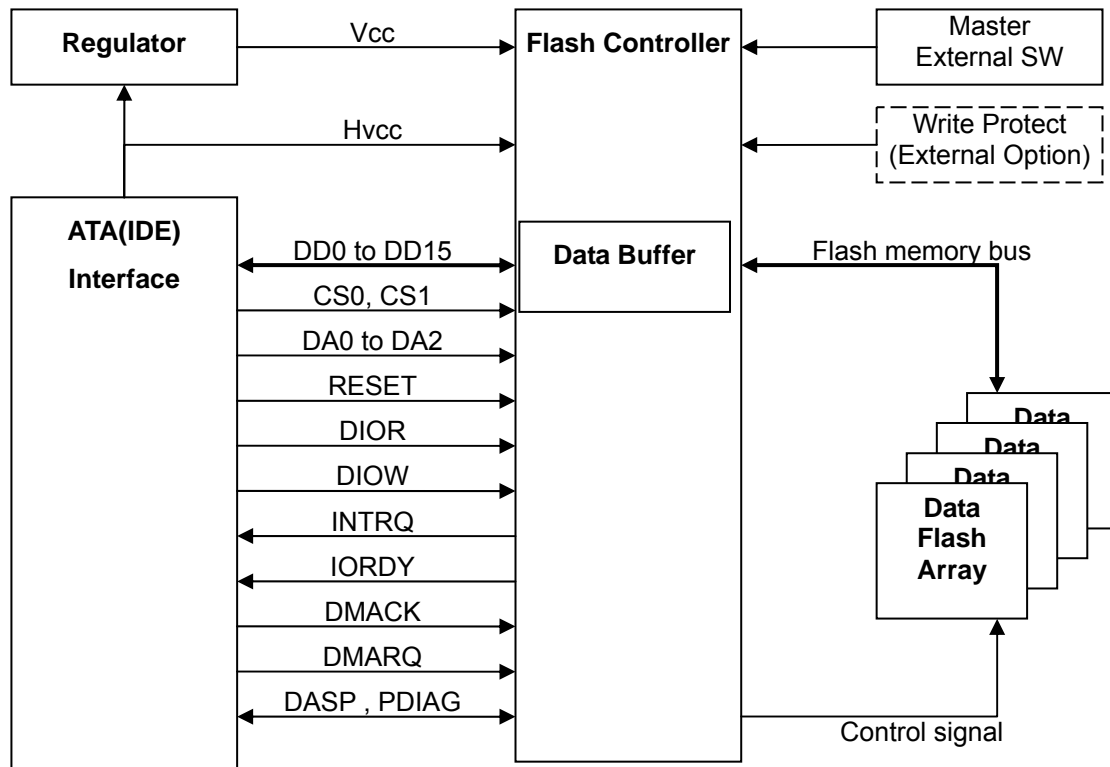


Figure 2: DiskOnModule Block Diagram

2.2.2 Operating Voltage

- Voltage DC +3.3V ± 5% or DC +5.0V ± 10%

2.2.3 Capacity and Block Size information

- Capacity: 128MB ~ 8GB
- Sector Size: 512B

2.2.4 Power Consumption (3.3V/5.0V)

- Current Information (maximum loading)

| Test Item | 3.3V | 5.0V |
|---------------|-------|-------|
| Write Current | 70mA | 95mA |
| Read Current | 60mA | 85mA |
| Sleep Current | 0.4mA | 0.4mA |

2.3 Performance Specifications

2.3.1 Modes

7. True-IDE Mode (PIO Mode: 4, Multi word DMA Mode: 2, Ultra DMA Mode: 4)

2.3.2 Data Transfer Time

Dual Mode

- Sequential Read: Up to 40 MB/sec
- Sequential Write: Up to 20 MB/sec

Single Mode

- Sequential Read: Up to 20 MB/sec
- Sequential Write: Up to 10 MB/sec

※ Test Platform:

MB 1: DFI CF4 / Chipset nForce SLI-DR / CPU: AMD146 2.0GHz DDR400: 256MB

MB 2: GIGA 8I945GME / Chipset: Intel 945+ICH7 / CPU: P4-3.0GHz DDR400: 512MBx2

Testing Software: HD Bench 3.4 / SiSoftware Sandra / Qbench

Testing Operating System: DOS, WinXP, Vista

Notice: The value is various bases on the testing platform.

2.3.3 Data Retention

- 10 years without requiring power support

2.3.4 Wear-leveling

- Global Wear-Leveling

2.3.5 Bad Block Management

- The Bad Blocks of Flash Memory will be replaced into new ones by controller.

2.4 Environmental Specification

2.4.1 Temperature

- Operating Temperature: 0°C to +70°C, Non Operating Temperature: -40°C to +85°C (Industrial type)
- Operating Temperature: -40°C to +85°C, Non Operating Temperature: -55°C to +95°C (Wide temperature type)

2.4.2 Humidity

- Operating Humidity (30°C Max. Wet Bulb Temp): 10% to 95%
- Non-Operating Humidity (30°C Max. Wet Bulb Temp): 10% to 95% (with no condensation relative humidity)

2.4.3 Bare Drop Testing

- Testing Conditions: 75cm height
- Testing Orientation: (Free fell) Front/Rear/Right/Left/Top/Bottom side

2.4.4 Vibration

- Random Vibration (Operation) : Testing Specification

| Frequency (Hz) | PSD (G ² /Hz) | Acceleration (Grms) | Dwell Time (Min) |
|----------------|--------------------------|---------------------|-------------------------------|
| 10 | 0.01 | 6Grms | 30min per axis (X · Y · Z) |
| 100 | 0.08 | | |
| 500 | 0.08 | | |

- Sine Vibration (Non-Operating): Testing Specification

| Frequency (Hz) | PSD (G ² /Hz) | Acceleration (Grms) | Dwell Time (Min) |
|----------------|--------------------------|---------------------|-------------------------------|
| 10 | 0.1 | 15Grms | 30min per axis (X · Y · Z) |
| 100 | 0.04 | | |
| 500 | 0.04 | | |
| 2000 | 0.004 | | |

- Frequency Range: 3 ~ 2000Hz

2.5 Reliability Specification

2.5.1 ECC (Error Correction Code)

- Built-in Reed Solomon 4symbol/512 bytes

2.5.2 Read and Program/Erase Cycle

- Read: No Limitation
- Program/Erase: 2,000,000 times

2.5.3 MTBF (Mean Time Between Failure)

- 2,000,000 hours

2.6 Compliance Specifications

- CE
- FCC

Notice: Please contact your closest CSS office for other certificate information

3. Function

3.1 Switch Setting

3.1.1 Master/Slave Switch

- In case which the switch place “Master” side, then the DOM will be recognized as C: Drive in system and operate as main storage device.
- In case of placing in “Cable Select” side, the DOM will be recognized as slave disk, or selected by cable, and operate as slave storage device.

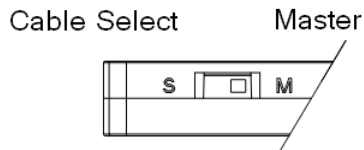


Figure 3: Master/Slave Function Switch

3.1.2 Write Protect Switch

- It is optional by order.
- In case which the switch place “Lock” side, then the data can not be written into DOM and can be read only.
- In case of placing in “Unlock” side, the data can be written and read together.

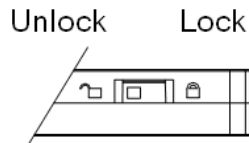


Figure 4: Write Protect Switch

3.2 Pin Signal Assignment

- The signals assigned for ATA applications are described in Table 3

Table 3: ATA connector pin definitions

| Signal name | Connector Contact (44Pins) | Conductor Contact (40 Pins) | | Connector Contact (44Pins) | Signal name |
|-------------|----------------------------|-----------------------------|------------|----------------------------|-------------|
| RESET- | 1 | 1 | 2 | 2 | Ground |
| DD7 | 3 | 3 | 4 | 4 | DD8 |
| DD6 | 5 | 5 | 6 | 6 | DD9 |
| DD5 | 7 | 7 | 8 | 8 | DD10 |
| DD4 | 9 | 9 | 10 | 10 | DD11 |
| DD3 | 11 | 11 | 12 | 12 | DD12 |
| DD2 | 13 | 13 | 14 | 14 | DD13 |
| DD1 | 15 | 15 | 16 | 16 | DD14 |
| DD0 | 17 | 17 | 18 | 18 | DD15 |
| Ground | 19 | 19 | 20 | 20 | Vcc |
| DMARQ | 21 | 21 | 22 | 22 | Ground |
| DIOW- | 23 | 23 | 24 | 24 | Ground |
| DIOR- | 25 | 25 | 26 | 26 | Ground |
| IORDY | 27 | 27 | 28 | 28 | CSEL |
| DMACK- | 29 | 29 | 30 | 30 | Ground |
| INTRQ | 31 | 31 | 32 | 32 | Ground |
| DA1 | 33 | 33 | 34 | 34 | PDIAG- |
| DA0 | 35 | 35 | 36 | 36 | DA2 |
| CS0- | 37 | 37 | 38 | 38 | CS1- |
| DASP- | 39 | 39 | 40 | 40 | Ground |
| Vcc | 41 | No present | No present | 42 | Vcc |
| Ground | 43 | No present | No present | 44 | reserved |

Notice: All pins are all in dual-in line rows, with 2.54 mm (0.1") pitch for 40 Pins models, or with 2.0 mm (0.0785") pitch for 44 Pins models.

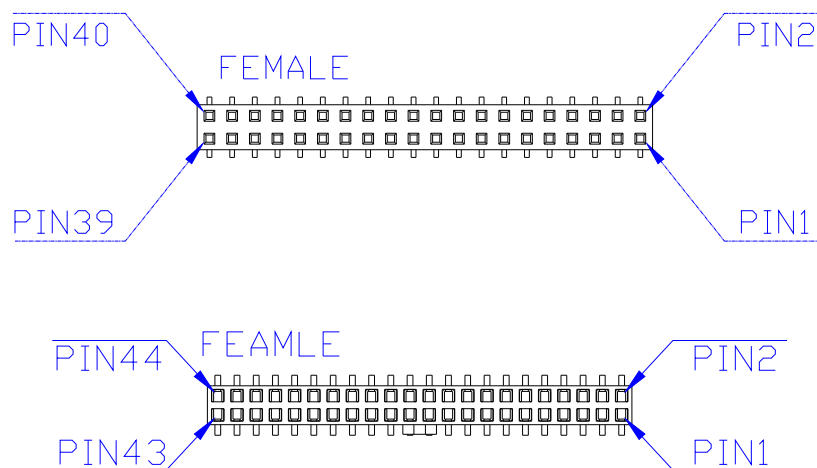


Figure 5: Pin Order of the Connector

3.3 DiskOnModule Capacity and Cylinder, Head, Sector

The table 4 show various capacities available for HAV40 series, if your platform does not support auto-detection function or HAV40 series is not identified, we advice can following below Cylinders, Heads, Sectors number to setting your platform.

Table 4: DiskOnModule Capacity and Cylinder, Head, Sector

| Unformatted Disk Capacity | No. of Cylinders | No. of Heads | No. of Sectors | Disk Total Sector |
|---------------------------|------------------|--------------|----------------|-------------------|
| 128MB | 994 | 8 | 32 | 254,464 |
| 256MB | 974 | 16 | 32 | 498,688 |
| 512MB | 1,012 | 16 | 63 | 1,020,096 |
| 1GB | 1,984 | 16 | 63 | 1,999,872 |
| 2GB | 3,980 | 16 | 63 | 4,011,840 |
| 4GB | 7,970 | 16 | 63 | 8,033,760 |
| 8GB | 15,945 | 16 | 63 | 16,072,560 |

3.4 Support ATA Commands

8. ATA Command Set

- ATA Command Set summarizes the ATA command set with the paragraphs that follow describing the individual commands and the task file for each.

Table 5: ATA Command Set

| No | COMMAND | Code | FR | SC | SN | CY | DH | LBA |
|----|-----------------------------|------------|----|----|----|----|----|-----|
| 1 | Check Power Mode | E5h or 98h | - | - | - | - | D | - |
| 2 | Erase Sector(s) | C0h | - | Y | Y | Y | Y | Y |
| 3 | Execute Drive Diagnostic | 90h | - | - | - | - | D | - |
| 4 | Flush Cache | E7h | - | - | - | - | D | - |
| 5 | Format Track | 50h | - | Y | - | Y | Y | Y |
| 6 | Identify Device | ECh | - | - | - | - | D | - |
| 7 | Identify Device DMA | EEh | - | - | - | - | D | - |
| 8 | Idle | E3h or 97h | - | Y | - | - | D | - |
| 9 | Idle Immediate | E1h or 95h | - | - | - | - | D | - |
| 10 | Initialize Drive Parameters | 91h | - | Y | - | - | Y | - |
| 11 | Media Lock | DEh | - | - | - | - | D | - |
| 12 | Media Unlock | DFh | - | - | - | - | D | - |
| 13 | NOP | 00h | - | - | - | - | D | - |
| 14 | Read Buffer | E4h | - | - | - | - | D | - |
| 15 | Read DMA | C8h | - | Y | Y | Y | Y | Y |
| 16 | Read Long Sector | 22h or 23h | - | - | Y | Y | Y | Y |
| 17 | Read Multiple | C4h | - | Y | Y | Y | Y | Y |
| 18 | Read Native Max Address | F8h | - | - | - | - | D | - |
| 19 | Read Sector(s) | 20h or 21h | - | Y | Y | Y | Y | Y |
| 20 | Read Verify Sector(s) | 40h or 41h | - | Y | Y | Y | Y | Y |
| 21 | Recalibrate | 1Xh | - | - | - | - | D | - |
| 22 | Request Sense | 03h | - | - | - | - | D | - |
| 23 | Seek | 7Xh | - | - | Y | Y | Y | Y |
| 24 | Set Features | EFh | Y | - | - | - | D | - |
| 25 | Set Max Address | F9h | - | Y | Y | Y | Y | Y |
| 26 | Set Multiple Mode | C6h | - | Y | - | - | D | - |

| No | COMMAND | Code | FR | SC | SN | CY | DH | LBA |
|----|---------------------------|------------|----|----|----|----|----|-----|
| 27 | Set Sleep Mode | E6h or 99h | - | - | - | - | D | - |
| 28 | SMART | B0h | Y | Y | - | Y | Y | - |
| 29 | Standby | E2h or 96h | - | - | - | - | D | - |
| 30 | Standby Immediate | E0h or 94h | - | - | - | - | D | - |
| 31 | Translate Sector | 87h | - | Y | Y | Y | Y | Y |
| 32 | Write Buffer | E8h | - | - | - | - | D | - |
| 33 | Write DMA | CAh | - | Y | Y | Y | Y | Y |
| 34 | Write Long Sector | 32h or 33h | - | - | Y | Y | Y | Y |
| 35 | Write Multiple | C5h | - | Y | Y | Y | Y | Y |
| 36 | Write Multiple w/o Erase | CDh | - | Y | Y | Y | Y | Y |
| 37 | Write Sector(s) | 30h or 31h | - | Y | Y | Y | Y | Y |
| 38 | Write Sector(s) w/o Erase | 38h | - | Y | Y | Y | Y | Y |
| 39 | Write Verify | 3Ch | - | Y | Y | Y | Y | Y |

Definitions:

FR = Features Register

SC = Sector Count Register

SN = Sector Number Register

CY = Cylinder Registers

DH = Device/Drive/Head Register

LBA = Logical Block Address Mode Supported (see command descriptions for use).

Y - The register contains a valid parameter for this command. For the Drive/Head Register Y means both the device and head parameters are used.

D - only the device parameter is valid and not the head parameter; C – The register contains command specific data (see command descriptions for use).

(1) Check Power Mode - 98h or E5h

| Bit -> | 7 | 6 | 5 | 4 | 3 | 2 | 1 | 0 |
|--------------|------------|---|---|-------|---|---|---|---|
| Command | 98h or E5h | | | | | | | |
| C/D/H (6) | X | | | Drive | X | | | |
| Cyl High (5) | | | | | X | | | |
| Cyl Low (4) | | | | | X | | | |
| Sec Num (3) | | | | | X | | | |
| Sec Cnt (2) | | | | | X | | | |
| Feature (1) | | | | | X | | | |

Check Power Mode

This command checks the power mode.

If the device is in, going to, or recovering from the sleep mode, the device sets BSY, sets the Sector Count Register to 00h, clears BSY and generates an interrupt.

If the device is in Idle mode, the device sets BSY, sets the Sector Count Register to FFh, clears BSY and generates an interrupt.

(2) Erase Sector(s) - C0h

| Bit -> | 7 | 6 | 5 | 4 | 3 | 2 | 1 | 0 |
|--------------|---------------------------|-----|---|-------|------------------|---|---|---|
| Command | C0h | | | | | | | |
| C/D/H (6) | 1 | LBA | 1 | Drive | Head (LBA 27-24) | | | |
| Cyl High (5) | Cylinder High (LBA 23-16) | | | | | | | |
| Cyl Low (4) | Cylinder Low (LBA 15-8) | | | | | | | |
| Sec Num (3) | Sector Number (LBA 7-0) | | | | | | | |
| Sec Cnt (2) | Sector Count | | | | | | | |
| Feature (1) | X | | | | | | | |

Erase Sector

This command is used to pre-erase and condition data sectors in advance of a Write without Erase or Write Multiple without Erase command. There is no data transfer associated with this command but a Write Fault error status can occur.

(3) Execute Drive Diagnostic - 90h

| Bit -> | 7 | 6 | 5 | 4 | 3 | 2 | 1 | 0 |
|--------------|-----|---|---|-------|---|---|---|---|
| Command | 90h | | | | | | | |
| C/D/H (6) | X | | | Drive | X | | | |
| Cyl High (5) | X | | | | | | | |
| Cyl Low (4) | X | | | | | | | |
| Sec Num (3) | X | | | | | | | |
| Sec Cnt (2) | X | | | | | | | |
| Feature (1) | X | | | | | | | |

Execute Drive Diagnostic

This command performs the internal diagnostic tests implemented by the device.

When the diagnostic command is issued, the Drive bit is ignored and the diagnostic command is executed by both the Master and the Slave with the Master responding with status for both devices.

The Diagnostic codes shown in Table 6: Diagnostic Codes are returned in the Error Register at the end of the command.

Table 6: Diagnostic Codes

| Code | Error Type |
|------|----------------------------------|
| 01h | No Error Detected |
| 02h | Formatter Device Error |
| 03h | Sector Buffer Error |
| 04h | ECC Circuitry Error |
| 05h | Controlling Microprocessor Error |
| 8Xh | Slave Error in True IDE Mode |

(4) Flush Cache – E7h

| Bit -> | 7 | 6 | 5 | 4 | 3 | 2 | 1 | 0 |
|--------------|-----|---|---|-------|---|---|---|---|
| Command | E7h | | | | | | | |
| C/D/H (6) | X | X | X | Drive | X | | | |
| Cyl High (5) | X | | | | | | | |
| Cyl Low (4) | X | | | | | | | |
| Sec Num (3) | X | | | | | | | |
| Sec Cnt (2) | X | | | | | | | |
| Feature (1) | X | | | | | | | |

Flush Cache

This command is used by the host to request the device to flush the write cache. If there is data in the write cache, that data shall be written to the Flash memory. The BSY bit shall remain set to one until all data has been successfully written or an error occurs.

(5) Format Track - 50h

| Bit -> | 7 | 6 | 5 | 4 | 3 | 2 | 1 | 0 |
|--------------|---------------------------|-----|---|-------|------------------|---|---|---|
| Command | 50h | | | | | | | |
| C/D/H (6) | 1 | LBA | 1 | Drive | Head (LBA 27-24) | | | |
| Cyl High (5) | Cylinder High (LBA 23-16) | | | | | | | |
| Cyl Low (4) | Cylinder Low (LBA 15-8) | | | | | | | |
| Sec Num (3) | X (LBA 7-0) | | | | | | | |
| Sec Cnt (2) | Count (LBA mode only) | | | | | | | |
| Feature (1) | X | | | | | | | |

Format Track

This command writes the desired head and cylinder of the selected drive with a vendor unique data pattern (typically FFh or 00h). To remain host backward compatible, the device expects a sector buffer of data from the host to follow the command with the same protocol as the Write Sector(s) command although the information in the buffer is not used by the device. If LBA=1 then the number of sectors to format is taken from the Sec Cnt register (0=256). The use of this command is not recommended.

(6) Identify Device – ECh

| Bit -> | 7 | 6 | 5 | 4 | 3 | 2 | 1 | 0 |
|--------------|-----|---|---|-------|---|---|---|---|
| Command | ECh | | | | | | | |
| C/D/H (6) | X | X | X | Drive | X | | | |
| Cyl High (5) | X | | | | | | | |
| Cyl Low (4) | X | | | | | | | |
| Sec Num (3) | X | | | | | | | |
| Sec Cnt (2) | X | | | | | | | |
| Feature (1) | X | | | | | | | |

Identify Device

The Identify Device command enables the host to receive parameter information from the device. This command has the same protocol as the Read Sector(s) command. The parameter words in the buffer have the arrangement and meanings defined in Table 7. All reserved bits or words are zero. Hosts should not depend on obsolete words in Identify Device containing 0. Table 7 specifies each field in the data returned by the Identify Device Command. In Table 7, X indicates a numeric nibble value specific to the device and aaaa indicates an ASCII string specific to the particular drive.

Table 7: Identify Device Information

| Word Address | Default Value | Total Bytes | Data Field Type Information |
|--------------|---------------|-------------|---|
| 0 | 0XXX | 2 | General configuration – Bit Significant with ATA definitions. |
| 1 | XXXXh | 2 | Default number of cylinders |
| 2 | 0000h | 2 | Reserved |
| 3 | 00XXh | 2 | Default number of heads |
| 4 | 0000h | 2 | Reserved for vendor |

| Word Address | Default Value | Total Bytes | Data Field Type Information |
|--------------|---------------|-------------|--|
| 5 | 0200h | 2 | Reserved for vendor |
| 6 | XXXXh | 2 | Default number of sectors per track |
| 7-8 | XXXXh | 4 | Reserved for assignment by the CFA |
| 9 | 0000h | 2 | Reserved |
| 10-19 | aaaa | 20 | Serial number in ASCII (Right Justified) |
| 20 | 0002h | 2 | Reserved for vendor |
| 21 | 000Xh | 2 | Reserved for vendor |
| 22 | 0004h | 2 | Reserved for vendor |
| 23-26 | aaaa | 8 | Firmware revision in ASCII. Big Endian Byte Order in Word |
| 27-46 | aaaa | 40 | Model number in ASCII (Left Justified) Big Endian Byte Order in Word |
| 47 | 800Xh | 2 | Maximum number of sectors on Read/Write Multiple command |
| 48 | 0000h | 2 | Reserved |
| 49 | 0F00h | 2 | Capabilities: DMA, LBA, IORDY supported |
| 50 | 0000h | 2 | Capabilities: Others, Fixed |
| 51 | 0200h | 2 | PIO data transfer cycle timing mode 2 |
| 52 | 0000h | 2 | Reserved |
| 53 | 0007h | 2 | Data Fields 54 to 58, 64 to 70 and 88 are valid |
| 54 | XXXXh | 2 | Current numbers of cylinders |
| 55 | XXXXh | 2 | Current numbers of heads |
| 56 | XXXXh | 2 | Current sectors per track |
| 57-58 | XXXXh | 4 | Current capacity in sectors (LBAs)(Word 57 = LSW, Word 58 = MSW) |
| 59 | 010Xh | 2 | Multiple sector setting |
| 60-61 | XXXXh | 4 | Total number of sectors addressable in LBA Mode |
| 62 | 0000h | 2 | Reserved |
| 63 | 0X0Xh | 2 | Multiword DMA transfer. |
| 64 | 0003h | 2 | Advanced PIO modes 3 and 4 supported |
| 65 | 0078h | 2 | Minimum Multiword DMA transfer cycle time per word. |
| 66 | 0078h | 2 | Recommended Multiword DMA transfer cycle time. |
| 67 | 0078h | 2 | Minimum PIO transfer cycle time without flow control |
| 68 | 0078h | 2 | Minimum PIO transfer cycle time with IORDY flow control |
| 69-79 | 0000h | 20 | Reserved |
| 80 | 0020h | 2 | Major version number, ATA-5 support |
| 81 | 0000h | 2 | Minor version number, not reported |
| 82 | 7409h | 2 | Features/command sets supported (NOP, SMART,...) |
| 83 | 5004h | 2 | Features/command sets supported (Flush Cache, ...) |
| 84 | 4000h | 2 | Features/command sets supported (extension) |
| 85 | 740Xh | 2 | Features/command sets enabled (NOP, SMART,...) |
| 86 | X004h | 2 | Features/command sets enabled (Flush Cache, ...) |
| 87 | 4000h | 2 | Features/command sets enabled (extension) |
| 88 | XXXXh | 2 | Ultra DMA Mode Supported and Selected |
| 89-92 | 0000h | 8 | Reserved |
| 93 | XXXXh | 2 | Hardware Reset result |
| 94-129 | 0000h | 72 | Reserved |
| 130-152 | XXXXh | 8 | Reserved for vendor |
| 153-159 | 0000h | 12 | Reserved |
| 160 | A064h | 2 | Power requirement description |
| 161-175 | XXXXh | 2 | Reserved for assignment by the CFA |
| 176-254 | 0000h | 180 | Reserved |
| 255 | XXA5h | 2 | Integrity Word |

Word 0: General Configuration

This field indicates the general characteristics of the device.

Bit 15-12: Configuration Flag: It is fixed as 0 to represent it is an ATA device.

Bits 11-8: Retired. These bits have retired ATA bit definitions. It is recommended that the value of these bits be either the preferred value of 0h or the value of 4h that preserves the corresponding bits to one or zero.

Bit 7: Removable Media Device If Bit 7 is set to 1, the device contains media that can be removed during device operation. If Bit 7 is set to 0, the device contains non-removable media.

Bit 6: Not Removable Controller and/or Device

Alert! *This bit will be considered for obsolescence in a future revision of this standard.*

If Bit 6 is set to 1, the Device is intended to be nonremovable during operation. If Bit 6 is set to 0, the Device is intended to be removable during operation.

Bits 5-0: Retired/Reserved

Alert! *Bit 2 will be considered for definition in a future revision of this standard and shall be 0 at this time.*

Bits 5-1 have retired ATA bit definitions.

Bit 2 shall be 0.

Bit 0 is reserved and shall be 0.

Word 1: Default Number of Cylinders

This field contains the number of translated cylinders in the default translation mode. This value will be the same as the number of cylinders.

Word 3: Default Number of Heads

This field contains the number of translated heads in the default translation mode.

Word 6: Default Number of Sectors per Track

This field contains the number of sectors per track in the default translation mode.

Words 10-19: Serial Number

This field contains the serial number for this device and is right justified and padded with spaces (20h).

Words 20: Buffer type

This field contains the buffer type of the device. It is set by default.

Alert! *This word is considered for obsolescence in a future revision of this standard.*

Words 23-26: Firmware Revision

This field contains the revision of the firmware for this product.

Words 27-46: Model Number

This field contains the model number for this product and is left justified and padded with spaces (20h).

Word 47: Read/Write Multiple Sector Count

Bits 15-8 shall be the recommended value of 80h or the permitted value of 00h. Bits 7-0 of this word define the maximum number of sectors per block that the device supports for Read/Write Multiple commands.

Word 49: Capabilities

Bit 13: Standby Timer

If bit 13 is set to 1 then the Standby timer is supported as defined by the IDLE command

If bit 13 is set to 0 then the Standby timer operation is defined by the vendor.

Bit 11: IORDY Supported

If bit 11 is set to 1 then this device supports IORDY operation.

If bit 11 is set to 0 then this device may support IORDY operation.

Bit 10: IORDY may be disabled

Bit 10 shall be set to 0, indicating that IORDY may not be disabled.

Bit 9: LBA supported

Bit 9 shall be set to 1, indicating that this device supports LBA mode addressing. Devices shall support LBA addressing.

Bit 8: DMA Supported

If bit 8 is set to 1 then Read DMA and Write DMA commands are supported.

Bit 8 shall be set to 0. Read/Write DMA commands are not currently permitted on CF devices.

Word 51: PIO Data Transfer Cycle Timing Mode

The PIO transfer timing for each device falls into modes that have unique parametric timing specifications. The value returned in Bits 15-8 shall be 00h for mode 0, 01h for mode 1, or 02h for mode 2. Values 03h through FFh are reserved.

Word 53: Translation Parameters Valid

Bit 0 shall be set to 1 indicating that words 54 to 58 are valid and reflect the current number of cylinders heads and sectors. If bit 1 of word 53 is set to 1, the values in words 64 through 70 are valid. If this bit is cleared to 0, the values reported in words 64-70 are not valid. Any device that supports PIO mode 3 or above shall set bit 1 of word 53 to one and support the fields contained in words 64 through 70.

Words 54-56: Current Number of Cylinders, Heads, Sectors/Track

These fields contain the current number of user addressable Cylinders, Heads, and Sectors/Track in the current translation mode.

Words 57-58: Current Capacity

This field contains the product of the current cylinders times heads times sectors.

Word 59: Multiple Sector Setting

Bits 15-9 are reserved and shall be set to 0.

Bit 8 shall be set to 1 indicating that the Multiple Sector Setting is valid.

Bits 7-0 are the current setting for the number of sectors that shall be transferred per interrupt on Read/Write Multiple commands.

Words 60-61: Total Sectors Addressable in LBA Mode

This field contains the total number of user addressable sectors for the device in LBA mode only.

Word 63: Multiword DMA transfer

Bits 15 through 8 of word 63 of the Identify Device parameter information is defined as the Multiword DMA mode selected field. If this field is supported, bit 1 of word 53 shall be set to one. This field is bit significant. Only one of bits may be set to one in this field by the device to indicate the multiword DMA mode which is currently selected. Of these bits, bits 15 through 11 are reserved. Bit 8, if set to one, indicates that Multiword DMA mode 0 has been selected. Bit 9, if set to one, indicates that Multiword DMA mode 1 has been selected. Bit 10, if set to one, indicates that Multiword DMA mode 2 has been selected. Selection of Multiword DMA modes 3 and above are specific to device are reported in word 163 as described in Word 163: CF Advanced True IDE Timing Mode Capabilities and Settings.

Bits 7 through 0 of word 63 of the Identify Device parameter information is defined as the Multiword DMA data transfer supported field. If this field is supported, bit 1 of word 53 shall be set to one. This field is bit significant. Any number of bits may be set to one in this field by the device to indicate the Multiword DMA modes it is capable of supporting.

Of these bits, bits 7 through 2 are reserved. Bit 0, if set to one, indicates that the device supports Multiword DMA mode 0. Bit 1, if set to one, indicates that the device supports Multiword DMA modes 1 and 0. Bit 2, if set to one, indicates that the device supports Multiword DMA modes 2, 1 and 0.

Support for Multiword DMA modes 3 and above are specific to device are reported in Word 163: CF Advanced True IDE Timing Mode Capabilities and Settings.

Word 64: Advanced PIO transfer modes supported

Bits 7 through 0 of word 64 of the Identify Device parameter information is defined as the advanced PIO data transfer supported field. If this field is supported, bit 1 of word 53 shall be set to one. This field is bit significant. Any number of bits may be set to one in this field by the device to indicate the advanced PIO modes it is capable of supporting.

Of these bits, bits 7 through 2 are reserved. Bit 0, if set to one, indicates that the device supports PIO mode 3. Bit 1, if set to one, indicates that the device supports PIO mode 4.

Support for PIO modes 5 and above are specific to device are reported in word 163 as described in Word 163: CF Advanced True IDE Timing Mode Capabilities and Settings.

Word 65: Minimum Multiword DMA transfer cycle time

Word 65 of the parameter information of the Identify Device command is defined as the minimum Multiword DMA transfer cycle time. This field defines, in nanoseconds, the minimum cycle time that, if used by the host, and the

device guarantees data integrity during the transfer.

If this field is supported, bit 1 of word 53 shall be set to one. The value in word 65 shall not be less than the minimum cycle time for the fastest DMA mode supported by the device. This field shall be supported by all device supporting DMA modes 1 and above.

If bit 1 of word 53 is set to one, but this field is not supported, the Device shall return a value of zero in this field.

Word 66: Recommended Multiword DMA transfer cycle time

Word 66 of the parameter information of the Identify Device command is defined as the recommended Multiword DMA transfer cycle time. This field defines, in nanoseconds, the cycle time that, if used by the host, may optimize the data transfer from by reducing the probability that the device will need to negate the DMARQ signal during the transfer of a sector.

If this field is supported, bit 1 of word 53 shall be set to one. The value in word 66 shall not be less than the value in word 65. This field shall be supported by all device supporting DMA modes 1 and above.

If bit 1 of word 53 is set to one, but this field is not supported, the Device shall return a value of zero in this field.

Word 67: Minimum PIO transfer cycle time without flow control

Word 67 of the parameter information of the Identify Device command is defined as the minimum PIO transfer without flow control cycle time. This field defines, in nanoseconds, the minimum cycle time that, if used by the host, the device guarantees data integrity during the transfer without utilization of flow control.

If this field is supported, Bit 1 of word 53 shall be set to one.

Any device that supports PIO mode 3 or above shall support this field, and the value in word 67 shall not be less than the value reported in word 68.

If bit 1 of word 53 is set to one because a device supports a field in words 64-70 other than this field and the device does not support this field, the device shall return a value of zero in this field.

Word 68: Minimum PIO transfer cycle time with IORDY

Word 68 of the parameter information of the Identify Device command is defined as the minimum PIO transfer with IORDY flow control cycle time. This field defines, in nanoseconds, the minimum cycle time that the device supports while performing data transfers while utilizing IORDY flow control.

If this field is supported, Bit 1 of word 53 shall be set to one.

Any device that supports PIO mode 3 or above shall support this field, and the value in word 68 shall be the fastest defined PIO mode supported by the device.

If bit 1 of word 53 is set to one because a device supports a field in words 64-70 other than this field and the device does not support this field, the device shall return a value of zero in this field.

Words 82-84: Features/command sets supported

Words 82, 83, and 84 shall indicate features/command sets supported. The value 0000h or FFFFh was placed in each of these words by device prior to ATA-3 and shall be interpreted by the host as meaning that features/command sets supported are not indicated. Bits 1 through 13 of word 83 and bits 0 through 13 of word 84 are reserved. Bit 14 of word 83 and word 84 shall be set to one and bit 15 of word 83 and word 84 shall be

cleared to zero to provide indication that the features/command sets supported words are valid. The values in these words should not be depended on by host implementers.

Bit 0 of word 82 shall be set to zero; the SMART feature set is not supported.

If bit 1 of word 82 is set to one, the Security Mode feature set is supported.

Bit 2 of word 82 shall be set to zero; the Removable Media feature set is not supported.

Bit 3 of word 82 shall be set to one; the Power Management feature set is supported.

Bit 4 of word 82 shall be set to zero; the Packet Command feature set is not supported.

If bit 5 of word 82 is set to one, write cache is supported.

If bit 6 of word 82 is set to one, look-ahead is supported.

Bit 7 of word 82 shall be set to zero; release interrupt is not supported.

Bit 8 of word 82 shall be set to zero; Service interrupt is not supported.

Bit 9 of word 82 shall be set to zero; the Device Reset command is not supported.

Bit 10 of word 82 shall be set to zero; the Host Protected Area feature set is not supported.

Bit 11 of word 82 is obsolete.

Bit 12 of word 82 shall be set to one; the device supports the Write Buffer command.

Bit 13 of word 82 shall be set to one; the device supports the Read Buffer command.

Bit 14 of word 82 shall be set to one; the device supports the NOP command.

Bit 15 of word 82 is obsolete.

Bit 0 of word 83 shall be set to zero; the device does not support the Download Microcode command.

Bit 1 of word 83 shall be set to zero; the device does not support the Read DMA Queued and Write DMA Queued commands.

Bit 2 of word 83 shall be set to one; the device supports the CFA feature set.

If bit 3 of word 83 is set to one, the device supports the Advanced Power Management feature set.

Bit 4 of word 83 shall be set to zero; the device does not support the Removable Media Status feature set.

Words 85-87: Features/command sets enabled

Words 85, 86, and 87 shall indicate features/command sets enabled. The value 0000h or FFFFh was placed in each of these words by device prior to ATA-4 and shall be interpreted by the host as meaning that features/command sets enabled are not indicated. Bits 1 through 15 of word 86 are reserved. Bits 0-13 of word 87 are reserved. Bit 14 of word 87 shall be set to one and bit 15 of word 87 shall be cleared to zero to provide indication that the features/command sets enabled words are valid. The values in these words should not be depended on by host implementers.

Bit 0 of word 85 shall be set to zero; the SMART feature set is not enabled.

If bit 1 of word 85 is set to one, the Security Mode feature set has been enabled via the Security Set Password command.

Bit 2 of word 85 shall be set to zero; the Removable Media feature set is not supported.

Bit 3 of word 85 shall be set to one; the Power Management feature set is supported.

Bit 4 of word 85 shall be set to zero; the Packet Command feature set is not enabled.

If bit 5 of word 85 is set to one, write cache is enabled.

If bit 6 of word 85 is set to one, look-ahead is enabled.
 Bit 7 of word 85 shall be set to zero; release interrupt is not enabled.
 Bit 8 of word 85 shall be set to zero; Service interrupt is not enabled.
 Bit 9 of word 85 shall be set to zero; the Device Reset command is not supported.
 Bit 10 of word 85 shall be set to zero; the Host Protected Area feature set is not supported.
 Bit 11 of word 85 is obsolete.
 Bit 12 of word 85 shall be set to one; the device supports the Write Buffer command.
 Bit 13 of word 85 shall be set to one; the device supports the Read Buffer command.
 Bit 14 of word 85 shall be set to one; the device supports the NOP command.
 Bit 15 of word 85 is obsolete.

Bit 0 of word 86 shall be set to zero; the device does not support the Download Microcode command.
 Bit 1 of word 86 shall be set to zero; the device does not support the Read DMA Queued and Write DMA Queued commands.
 If bit 2 of word 86 shall be set to one, the device supports the CFA feature set.
 If bit 3 of word 86 is set to one, the Advanced Power Management feature set has been enabled via the Set Features command.
 Bit 4 of word 86 shall be set to zero; the device does not support the Removable Media Status feature set.

Word 88: Ultra DMA Modes Supported and Selected

Word 88 identifies the Ultra DMA transfer modes supported by the device and indicates the mode that is currently selected. Only one DMA mode shall be selected at any given time. If an Ultra DMA mode is selected, then no Multiword DMA mode shall be selected. If a Multiword DMA mode is selected, then no Ultra DMA mode shall be selected. Support of this word is mandatory if Ultra DMA is supported.

Bits 15-13: Reserved
 Bit 12: 1 = Ultra DMA mode 4 is selected 0 = Ultra DMA mode 4 is not selected
 Bit 11: 1 = Ultra DMA mode 3 is selected 0 = Ultra DMA mode 3 is not selected
 Bit 10: 1 = Ultra DMA mode 2 is selected 0 = Ultra DMA mode 2 is not selected
 Bit 9: 1 = Ultra DMA mode 1 is selected 0 = Ultra DMA mode 1 is not selected
 Bit 8: 1 = Ultra DMA mode 0 is selected 0 = Ultra DMA mode 0 is not selected
 Bits 7-5: Reserved
 Bit 4: 1 = Ultra DMA mode 4 and below are supported. Bits 0-3 shall be set to 1.
 Bit 3: 1 = Ultra DMA mode 3 and below are supported, Bits 0-2 shall be set to 1.
 Bit 2: 1 = Ultra DMA mode 2 and below are supported. Bits 0-1 shall be set to 1.
 Bit 1: 1 = Ultra DMA mode 1 and below are supported. Bit 0 shall be set to 1.
 Bit 0: 1 = Ultra DMA mode 0 is supported

Word 93: Hardware Configuration test results

During hardware reset execution, Device 0 shall clear bits 13-8 of this word to zero and shall set bits 7-0 of the word as indicated to show the result of the hardware reset execution. During hardware reset execution, Device 1 shall

clear bits 7-0 of this word to zero and shall set bits 13-8 as indicated to show the result of the hardware reset execution.

Bit 13 shall be set or cleared by the selected device to indicate whether the device detected CBLID- above VIH or below VIL at any time during execution of each IDENTIFY DEVICE routine after receiving the command from the host but before returning data to the host. This test may be repeated as desired by the device during command execution (see Annex B). Word 89 specifies the time required for the Security Erase Unit command to complete. This command shall be supported on devices that support security.

Notice: *CBLID- is grounded in the 80-conductor cable assembly host connector for the purpose of indicating to the host that the cable assembly being used is an 80-conductor assembly not a 40-conductor assembly.*

The contents of bits 12-0 of this word shall change only during the execution of a hardware reset.

Bit 15: Shall be cleared to zero.

Bit 14: Shall be set to one.

Bit 13: 1 = dvice detected CBLID- above ViH
0 = device detected CBLID- below ViL

Bit 12-8: Device 1 hardware reset result. Device 0 shall clear these bits to zero. Device 1 shall set these bits as follows:

Bit 12: Reserved.

Bit 11: 0 = Device 1 did not assert PDIAG-.
1 = Device 1 asserted PDIAG-.

Bit 10-9: These bits indicate how Device 1 determined the device number:
00 = Reserved.
01 = a jumper was used.
10 = the CSEL signal was used.
11 = some other method was used or the method is unknown.

Bit 8: Shall be set to one.

Bit 7-0: Device 0 hardware reset result. Device 1 shall clear these bits to zero. Device 0 shall set these bits as follows:

Bit 7: Reserved.

Bit 6: 0 = Device 0 does not respond when Device 1 is selected.
1 = Device 0 responds when Device 1 is selected.

Bit 5: 0 = Device 0 did not detect the assertion of DASP-.
1 = Device 0 detected the assertion of DASP-.

Bit 4: 0 = Device 0 did not detect the assertion of PDIAG-.
1 = Device 0 detected the assertion of PDIAG-.

Bit 3: 0 = Device 0 failed diagnostics.
1 = Device 0 passed diagnostics.

Bit 2-1: These bits indicate how Device 0 determined the device number:
00 = Reserved.
01 = a jumper was used.
10 = the CSEL signal was used.

11 = some other method was used or the method is unknown.

Bit 0: Shall be set to one.

Word 160: Power Requirement Description

This word is required for devices that support power mode 1.

Bit 15: VLD

If set to 1, indicates that this word contains a valid power requirement description.

If set to 0, indicates that this word does not contain a power requirement description.

Bit 14: RSV

This bit is reserved and shall be 0.

Bit 13: -XP

If set to 1, indicates that the device does not have Power Level 1 commands.

If set to 0, indicates that the device has Power Level 1 commands

Bit 12: -XE

If set to 1, indicates that Power Level 1 commands are disabled.

If set to 0, indicates that Power Level 1 commands are enabled.

Bit 0-11: Maximum current

This field contains the device's maximum current in mA.

(7) Identify Device DMA – EEnh

| Bit -> | 7 | 6 | 5 | 4 | 3 | 2 | 1 | 0 |
|--------------|------|---|---|-------|---|---|---|---|
| Command | EEnh | | | | | | | |
| C/D/H (6) | X | X | X | Drive | X | | | |
| Cyl High (5) | | | | | X | | | |
| Cyl Low (4) | | | | | X | | | |
| Sec Num (3) | | | | | X | | | |
| Sec Cnt (2) | | | | | X | | | |
| Feature (1) | | | | | X | | | |

Identify Device DMA

This command enables the host to receive parameter information from the device in DMA mode. The command transfers the same 256 words of device identification data as transferred by the IDENTIFY DEVICE command. It is an obsolete command after ATA-4.

(8) Idle - 97h or E3h

| Bit -> | 7 | 6 | 5 | 4 | 3 | 2 | 1 | 0 |
|--------------|---------------------------------|---|---|-------|---|---|---|---|
| Command | 97h or E3h | | | | | | | |
| C/D/H (6) | X | | | Drive | X | | | |
| Cyl High (5) | | | | | X | | | |
| Cyl Low (4) | | | | | X | | | |
| Sec Num (3) | | | | | X | | | |
| Sec Cnt (2) | Timer Count (5 msec increments) | | | | | | | |
| Feature (1) | | | | | X | | | |

Idle

This command causes the device to set BSY, enter the Idle mode, clear BSY and generate an interrupt. If the

sector count is non-zero, it is interpreted as a timer count with each count being 5 milliseconds and the automatic power down mode is enabled. If the sector count is zero, the automatic power down mode is disabled. Note that this time base (5 msec) is different from the ATA specification.

(9) Idle Immediate - 95h or E1h

| Bit -> | 7 | 6 | 5 | 4 | 3 | 2 | 1 | 0 |
|--------------|------------|---|-------|---|---|---|---|---|
| Command | 95h or E1h | | | | | | | |
| C/D/H (6) | X | | Drive | | X | | | |
| Cyl High (5) | | | | | X | | | |
| Cyl Low (4) | | | | | X | | | |
| Sec Num (3) | | | | | X | | | |
| Sec Cnt (2) | | | | | X | | | |
| Feature (1) | | | | | X | | | |

Idle Immediate

This command causes the device to set BSY, enter the Idle mode, clear BSY and generate an interrupt.

(10) Initialize Drive Parameters - 91h

| Bit -> | 7 | 6 | 5 | 4 | 3 | 2 | 1 | 0 |
|--------------|-------------------|---|---|-------|---------------------------|---|---|---|
| Command | 91h | | | | | | | |
| C/D/H (6) | X | 0 | X | Drive | Max Head (no. of heads-1) | | | |
| Cyl High (5) | | | | | X | | | |
| Cyl Low (4) | | | | | X | | | |
| Sec Num (3) | | | | | X | | | |
| Sec Cnt (2) | Number of Sectors | | | | | | | |
| Feature (1) | | | | | X | | | |

Initialize Drive Parameters

This command enables the host to set the number of sectors per track and the number of heads per cylinder. Only the Sector Count and the Device/Drive/Head registers are used by this command.

(11) Media Lock – DEh

| Bit -> | 7 | 6 | 5 | 4 | 3 | 2 | 1 | 0 |
|--------------|-----|---|---|-------|---|---|---|---|
| Command | DEh | | | | | | | |
| C/D/H (6) | X | X | X | Drive | X | | | |
| Cyl High (5) | | | | | X | | | |
| Cyl Low (4) | | | | | X | | | |
| Sec Num (3) | | | | | X | | | |
| Sec Cnt (2) | | | | | X | | | |
| Feature (1) | | | | | X | | | |

Media Lock

It is implemented for compatibility and is no function in this device.

(12) Media Unlock – DFh

| Bit -> | 7 | 6 | 5 | 4 | 3 | 2 | 1 | 0 |
|--------------|-----|---|---|-------|---|---|---|---|
| Command | DFh | | | | | | | |
| C/D/H (6) | X | X | X | Drive | X | | | |
| Cyl High (5) | | | | | X | | | |
| Cyl Low (4) | | | | | X | | | |
| Sec Num (3) | | | | | X | | | |
| Sec Cnt (2) | | | | | X | | | |
| Feature (1) | | | | | X | | | |

Media Unlock

It is implemented for compatibility and is no function in this device.

(13) NOP – 00h

| Bit -> | 7 | 6 | 5 | 4 | 3 | 2 | 1 | 0 |
|--------------|-----|---|---|-------|---|---|---|---|
| Command | 00h | | | | | | | |
| C/D/H (6) | X | X | X | Drive | X | | | |
| Cyl High (5) | | | | | X | | | |
| Cyl Low (4) | | | | | X | | | |
| Sec Num (3) | | | | | X | | | |
| Sec Cnt (2) | | | | | X | | | |
| Feature (1) | | | | | X | | | |

NOP

This command always fails with an aborted command error.

(14) Read Buffer - E4h

| Bit -> | 7 | 6 | 5 | 4 | 3 | 2 | 1 | 0 |
|--------------|-----|---|---|-------|---|---|---|---|
| Command | E4h | | | | | | | |
| C/D/H (6) | X | | | Drive | X | | | |
| Cyl High (5) | | | | | X | | | |
| Cyl Low (4) | | | | | X | | | |
| Sec Num (3) | | | | | X | | | |
| Sec Cnt (2) | | | | | X | | | |
| Feature (1) | | | | | X | | | |

Read Buffer

The Read Buffer command enables the host to read the current contents of the device's sector buffer. This command has the same protocol as the Read Sector(s) command.

(15) Read DMA – C8h

| Bit -> | 7 | 6 | 5 | 4 | 3 | 2 | 1 | 0 |
|--------------|---------------------------|-----|---|-------|------------------|---|---|---|
| Command | C8h | | | | | | | |
| C/D/H (6) | 1 | LBA | 1 | Drive | Head (LBA 27-24) | | | |
| Cyl High (5) | Cylinder High (LBA 23-16) | | | | | | | |
| Cyl Low (4) | Cylinder Low (LBA 15-8) | | | | | | | |
| Sec Num (3) | Sector Number (LBA 7-0) | | | | | | | |
| Sec Cnt (2) | Sector Count | | | | | | | |
| Feature (1) | X | | | | | | | |

Read DMA

This command uses DMA mode to read from 1 to 256 sectors as specified in the Sector Count register. A sector count of 0 requests 256 sectors. The transfer begins at the sector specified in the Sector Number Register. When this command is issued the device sets BSY, puts all or part of the sector of data in the buffer. The Device is then permitted, although not required, to set DRQ, clear BSY. The Device asserts DMAREQ while data is available to be transferred. The Device asserts DMAREQ while data is available to be transferred. The host then reads the (512 * sector-count) bytes of data from the Device using DMA. While DMAREQ is asserted by the Device, the Host asserts -DMACK while it is ready to transfer data by DMA and asserts -IORD once for each 16 bit word to be transferred to the Host.

Interrupts are not generated on every sector, but upon completion of the transfer of the entire number of sectors to be transferred or upon the occurrence of an unrecoverable error.

At command completion, the Command Block Registers contain the cylinder, head and sector number of the last sector read. If an error occurs, the read terminates at the sector where the error occurred. The Command Block Registers contain the cylinder, head, and sector number of the sector where the error occurred. The amount of data transferred is indeterminate.

When a Read DMA command is received by the Device and 8 bit transfer mode has been enabled by the Set Features command, the Device shall return the Aborted error.

(16) Read Long Sector - 22h or 23h

| Bit -> | 7 | 6 | 5 | 4 | 3 | 2 | 1 | 0 |
|--------------|---------------------------|-----|---|-------|------------------|---|---|---|
| Command | 22h or 23h | | | | | | | |
| C/D/H (6) | 1 | LBA | 1 | Drive | Head (LBA 27-24) | | | |
| Cyl High (5) | Cylinder High (LBA 23-16) | | | | | | | |
| Cyl Low (4) | Cylinder Low (LBA 15-8) | | | | | | | |
| Sec Num (3) | Sector Number (LBA 7-0) | | | | | | | |
| Sec Cnt (2) | X | | | | | | | |
| Feature (1) | X | | | | | | | |

Read Long Sector

The Read Long command performs similarly to the Read Sector(s) command except that it returns 516 bytes of data instead of 512 bytes. During a Read Long command, the device does not check the ECC bytes to determine if there has been a data error. Only single sector read long operations are supported. The transfer consists of 512 bytes of data transferred in word mode followed by 4 bytes of ECC data transferred in byte mode. This command has the same protocol as the Read Sector(s) command. Use of this command is not recommended.

(17) Read Multiple - C4h

| Bit -> | 7 | 6 | 5 | 4 | 3 | 2 | 1 | 0 |
|--------------|---------------------------|-----|---|-------|------------------|---|---|---|
| Command | C4h | | | | | | | |
| C/D/H (6) | 1 | LBA | 1 | Drive | Head (LBA 27-24) | | | |
| Cyl High (5) | Cylinder High (LBA 23-16) | | | | | | | |
| Cyl Low (4) | Cylinder Low (LBA 15-8) | | | | | | | |
| Sec Num (3) | Sector Number (LBA 7-0) | | | | | | | |
| Sec Cnt (2) | Sector Count | | | | | | | |
| Feature (1) | X | | | | | | | |

Read Multiple

Notice: This specification requires that devices support a multiple block count of 1 and permits larger values to be supported.

The Read Multiple command performs similarly to the Read Sectors command. Interrupts are not generated on

every sector, but on the transfer of a block, which contains the number of sectors defined by a Set Multiple command. Command execution is identical to the Read Sectors operation except that the number of sectors defined by a Set Multiple command is transferred without intervening interrupts. DRQ qualification of the transfer is required only at the start of the data block, not on each sector.

The block count of sectors to be transferred without intervening interrupts is programmed by the Set Multiple Mode command, which shall be executed prior to the Read Multiple command. When the Read Multiple command is issued, the Sector Count Register contains the number of sectors (not the number of blocks or the block count) requested. If the number of requested sectors is not evenly divisible by the block count, as many full blocks as possible are transferred, followed by a final, partial block transfer. The partial block transfer is for n sectors, where

$$n = (\text{sector count}) \bmod (\text{block count}).$$

If the Read Multiple command is attempted before the Set Multiple Mode command has been executed or when Read Multiple commands are disabled, the Read Multiple operation is rejected with an Aborted Command error. Disk errors encountered during Read Multiple commands are posted at the beginning of the block or partial block transfer, but DRQ is still set and the data transfer shall take place as it normally would, including transfer of corrupted data, if any.

Interrupts are generated when DRQ is set at the beginning of each block or partial block. The error reporting is the same as that on a Read Sector(s) Command. This command reads from 1 to 256 sectors as specified in the Sector Count register. A sector count of 0 requests 256 sectors. The transfer begins at the sector specified in the Sector Number Register.

At command completion, the Command Block Registers contain the cylinder, head and sector number of the last sector read.

If an error occurs, the read terminates at the sector where the error occurred. The Command Block Registers contain the cylinder, head and sector number of the sector where the error occurred. The flawed data is pending in the sector buffer.

Subsequent blocks or partial blocks are transferred only if the error was a correctable data error. All other errors cause the command to stop after transfer of the block that contained the error.

(18) Read Native Max Address – F8h

| Bit -> | 7 | 6 | 5 | 4 | 3 | 2 | 1 | 0 | |
|--------------|-----|-----|---|-------|---|---|---|---|--|
| Command | F8h | | | | | | | | |
| C/D/H (6) | 1 | LBA | 1 | Drive | X | | | | |
| Cyl High (5) | | | | | X | | | | |
| Cyl Low (4) | | | | | X | | | | |
| Sec Num (3) | | | | | X | | | | |
| Sec Cnt (2) | | | | | X | | | | |
| Feature (1) | | | | | X | | | | |

Read Native Max Address

This command returns the native maximum address. The native maximum address is the highest address accepted by the device in the factory default condition. The native maximum address is the maximum address that is valid when using the SET MAX ADDRESS command.

(19) Read Sector(s) - 20h or 21h

| Bit -> | 7 | 6 | 5 | 4 | 3 | 2 | 1 | 0 |
|--------------|---------------------------|-----|---|-------|------------------|---|---|---|
| Command | 20h or 21h | | | | | | | |
| C/D/H (6) | 1 | LBA | 1 | Drive | Head (LBA 27-24) | | | |
| Cyl High (5) | Cylinder High (LBA 23-16) | | | | | | | |
| Cyl Low (4) | Cylinder Low (LBA 15-8) | | | | | | | |
| Sec Num (3) | Sector Number (LBA 7-0) | | | | | | | |
| Sec Cnt (2) | Sector Count | | | | | | | |
| Feature (1) | X | | | | | | | |

Read Sector(s)

This command reads from 1 to 256 sectors as specified in the Sector Count register. A sector count of 0 requests 256 sectors. The transfer begins at the sector specified in the Sector Number Register. When this command is issued and after each sector of data (except the last one) has been read by the host, the device sets BSY, puts the sector of data in the buffer, sets DRQ, clears BSY, and generates an interrupt. The host then reads the 512 bytes of data from the buffer.

At command completion, the Command Block Registers contain the cylinder, head and sector number of the last sector read. If an error occurs, the read terminates at the sector where the error occurred. The Command Block Registers contain the cylinder, head, and sector number of the sector where the error occurred. The flawed data is pending in the sector buffer.

(20) Read Verify Sector(s) - 40h or 41h

| Bit -> | 7 | 6 | 5 | 4 | 3 | 2 | 1 | 0 |
|--------------|---------------------------|-----|---|-------|------------------|---|---|---|
| Command | 40h or 41h | | | | | | | |
| C/D/H (6) | 1 | LBA | 1 | Drive | Head (LBA 27-24) | | | |
| Cyl High (5) | Cylinder High (LBA 23-16) | | | | | | | |
| Cyl Low (4) | Cylinder Low (LBA 15-8) | | | | | | | |
| Sec Num (3) | Sector Number (LBA 7-0) | | | | | | | |
| Sec Cnt (2) | Sector Count | | | | | | | |
| Feature (1) | X | | | | | | | |

Read Verify Sector(s)

This command is identical to the Read Sectors command, except that DRQ is never set and no data is transferred to the host. When the command is accepted, the device sets BSY.

When the requested sectors have been verified, the device clears BSY and generates an interrupt. Upon command completion, the Command Block Registers contain the cylinder, head, and sector number of the last sector verified.

If an error occurs, the Read Verify Command terminates at the sector where the error occurs. The Command Block Registers contain the cylinder, head and sector number of the sector where the error occurred. The Sector Count Register contains the number of sectors not yet verified.

(21) Recalibrate - 1Xh

| Bit -> | 7 | 6 | 5 | 4 | 3 | 2 | 1 | 0 |
|--------------|-----|-----|---|-------|---|---|---|---|
| Command | 1Xh | | | | | | | |
| C/D/H (6) | 1 | LBA | 1 | Drive | X | | | |
| Cyl High (5) | X | | | | | | | |
| Cyl Low (4) | X | | | | | | | |
| Sec Num (3) | X | | | | | | | |
| Sec Cnt (2) | X | | | | | | | |
| Feature (1) | X | | | | | | | |

Recalibrate

This command is effectively a NOP command to the device and is provided for compatibility purposes.

(22) Request Sense - 03h

| Bit -> | 7 | 6 | 5 | 4 | 3 | 2 | 1 | 0 |
|--------------|-----|---|---|-------|---|---|---|---|
| Command | 03h | | | | | | | |
| C/D/H (6) | | | X | Drive | x | | | |
| Cyl High (5) | X | | | | | | | |
| Cyl Low (4) | X | | | | | | | |
| Sec Num (3) | X | | | | | | | |
| Sec Cnt (2) | X | | | | | | | |
| Feature (1) | X | | | | | | | |

Request Sense

This command requests extended error information for the previous command. Table 8 defines the valid extended error codes for the device Series product. The extended error code is returned to the host in the Error Register.

Table 8: Extended Error Codes

| Extended Error Code | Description |
|-------------------------|--|
| 00h | No Error Detected |
| 01h | Self Test OK (No Error) |
| 09h | Miscellaneous Error |
| 20h | Invalid Command |
| 21h | Invalid Address (Requested Head or Sector Invalid) |
| 2Fh | Address Overflow (Address Too Large) |
| 35h, 36h | Supply or generated Voltage Out of Tolerance |
| 11h | Uncorrectable ECC Error |
| 18h | Corrected ECC Error |
| 05h, 30-34h, 37h, 3Eh | Self Test or Diagnostic Failed |
| 10h, 14h | ID Not Found |
| 3Ah | Spare Sectors Exhausted |
| 1Fh | Data Transfer Error / Aborted Command |
| 0Ch, 38h, 3Bh, 3Ch, 3Fh | Corrupted Media Format |
| 03h | Write / Erase Failed |
| 22h | Power Level 1 Disabled |

(23) Seek - 7Xh

| Bit -> | 7 | 6 | 5 | 4 | 3 | 2 | 1 | 0 |
|--------------|---------------------------|-----|---|-------|------------------|---|---|---|
| Command | 7Xh | | | | | | | |
| C/D/H (6) | 1 | LBA | 1 | Drive | Head (LBA 27-24) | | | |
| Cyl High (5) | Cylinder High (LBA 23-16) | | | | | | | |
| Cyl Low (4) | Cylinder Low (LBA 15-8) | | | | | | | |
| Sec Num (3) | X (LBA 7-0) | | | | | | | |
| Sec Cnt (2) | X | | | | | | | |
| Feature (1) | X | | | | | | | |

Seek

This command is effectively a NOP command to the device although it does perform a range check of cylinder and head or LBA address and returns an error if the address is out of range.

(24) Set Features – EFh

| Bit -> | 7 | 6 | 5 | 4 | 3 | 2 | 1 | 0 |
|--------------|---------|---|---|-------|---|---|---|---|
| Command | EFh | | | | | | | |
| C/D/H (6) | X | | | Drive | X | | | |
| Cyl High (5) | X | | | | | | | |
| Cyl Low (4) | X | | | | | | | |
| Sec Num (3) | X | | | | | | | |
| Sec Cnt (2) | Config | | | | | | | |
| Feature (1) | Feature | | | | | | | |

Set Features

This command is used by the host to establish or select certain features. If any subcommand input value is not supported or is invalid, the Compact Flash Storage Device shall return command aborted. Table 9: Feature Supported defines all features that are supported.

Table 9: Feature Supported

| Feature | Operation |
|---------|--|
| 01h | Enable 8 bit data transfers. |
| 02h | Enable Write Cache. |
| 03h | Set transfer mode based on value in Sector Count register. |
| 05h | Enable Advanced Power Management. |
| 09h | Enable Extended Power operations. Alert! <i>It has been proposed to remove this feature from a future revision of the specification. Please notify the CFA if you have a requirement for this feature.</i> |
| 0Ah | Enable Power Level 1 commands. |
| 44h | Product specific ECC bytes apply on Read/Write Long commands. |
| 55h | Disable Read Look Ahead. |
| 66h | Disable Power on Reset (POR) establishment of defaults at Soft Reset. |
| 69h | NOP - Accepted for backward compatibility. |
| 81h | Disable 8 bit data transfer. |
| 82h | Disable Write Cache. |
| 85h | Disable Advanced Power Management. |
| 89h | Disable Extended Power operations. Alert! <i>It has been proposed to remove this feature from a future revision of the specification. Please notify the CFA if you have a requirement for this feature.</i> |
| 8Ah | Disable Power Level 1 commands. |
| 96h | NOP - Accepted for backward compatibility. |
| 97h | Accepted for backward compatibility. Use of this Feature is not recommended. |
| 9Ah | Set the host current source capability. Allows tradeoff between current drawn and read/write speed. |

| Feature | Operation |
|---------|--|
| AAh | Enable Read Look Ahead. |
| BBh | 4 bytes of data apply on Read/Write Long commands. |
| CCh | Enable Power on Reset (POR) establishment of defaults at Soft Reset. |

Features 01h and 81h are used to enable and clear 8 bit data transfer modes in True IDE Mode. If the 01h feature command is issued all data transfers shall occur on the low order D[7:0] data bus and the -IOIS16 signal shall not be asserted for data register accesses. The host shall not enable this feature for DMA transfers.

Features 02h and 82h allow the host to enable or disable write cache in devices that implement write cache. When the subcommand disable write cache is issued, the device shall initiate the sequence to flush cache to non-volatile memory before command completion.

Feature 03h allows the host to select the PIO or Multiword DMA transfer mode by specifying a value in the Sector Count register. The upper 5 bits define the type of transfer and the low order 3 bits encode the mode value. One PIO mode shall be selected at all times. For Devices which support DMA, one Multiword DMA mode shall be selected at all times. The host may change the selected modes by the Set Features command.

Table 10: Transfer mode values

| Mode | Bits (7:3) | Bits (2:0) |
|---------------------------------|------------|------------|
| PIO default mode | 00000b | 000b |
| PIO default mode, disable IORDY | 00000b | 001b |
| PIO flow control transfer mode | 00001b | Mode |
| Reserved | 00010b | N/A |
| Multiword DMA mode | 00100b | Mode |
| Ultra DMA Mode | 01000b | Mode |
| Reserved | 10000b | N/A |
| Mode = transfer mode number | | |

If a device supports PIO modes greater than 0 and receives a Set Features command with a Set Transfer Mode parameter and a Sector Count register value of “00000000b”, it shall set its default PIO mode. If the value is “00000001b” and the device supports disabling of IORDY, then the device shall set its default PIO mode and disable IORDY. A device shall support all PIO modes below the highest mode supported, e.g., if PIO mode 1 is supported PIO mode 0 shall be supported.

Support of IORDY is mandatory when PIO mode 3 or above is the current mode of operation.

A device reporting support for Multiword DMA modes shall support all Multiword DMA modes below the highest mode supported. For example, if Multiword DMA mode 2 support is reported, then modes 1 and 0 shall also be supported.

A device reporting support for Ultra DMA modes shall support all Ultra DMA modes below the highest mode supported. For example, if Ultra DMA mode 2 support is reported then modes 1 and 0 shall also be supported.

If an Ultra DMA mode is enabled any previously enabled Multiword DMA mode shall be disabled by the device. If a Multiword DMA mode is enabled any previously enabled Ultra DMA mode shall be disabled by the device. Feature 05h allows the host to enable Advanced Power Management. To enable Advanced Power Management, the host writes the Sector Count register with the desired advanced power management level and then executes a Set Features command with subcommand code 05h. The power management level is a scale from the lowest power consumption setting of 01h to the maximum performance level of FEh. Table11: Advanced power management levels show these values.

Table 11: Advanced power management levels

| Level | Sector Count Value |
|--|--------------------|
| Maximum performance | FEh |
| Intermediate power management levels without Standby | 81h-FDh |
| Minimum power consumption without Standby | 80h |
| Intermediate power management levels with Standby | 02h-7Fh |
| Minimum power consumption with Standby | 01h |
| Reserved | FFh |
| Reserved | 00h |

Device performance may increase with increasing power management levels. Device power consumption may increase with increasing power management levels. The power management levels may contain discrete bands. For example, a device may implement one power management method from 80h to A0h and a higher performance, higher power consumption method from level A1h to FEh. Advanced power management levels 80h and higher do not permit the device to spin down to save power.

Feature 85h disables Advanced Power Management. Subcommand 85h may not be implemented on all devices that implement Set Features subcommand 05h.

Features 0Ah and 8Ah are used to enable and disable Power Level 1 commands. Feature 0Ah is the default feature for the device with extended power.

Features 55h and BBh are the default features for the device; thus, the host does not have to issue this command with these features unless it is necessary for compatibility reasons.

Feature code 9Ah enables the host to configure the device to best meet the host system’s power requirements. The host sets a value in the Sector Count register that is equal to one-fourth of the desired maximum average current (in mA) that the device should consume. For example, if the Sector Count register were set to 6, the device would be configured to provide the best possible performance without exceeding 24 mA. Upon completion of the command, the device responds to the host with the range of values supported by the device. The minimum value is set in the Cylinder Low register, and the maximum value is set in the Cylinder Hi register. The default value, after a power on reset, is to operate at the highest performance and therefore the highest current mode. The device shall accept values outside this programmable range, but shall operate at either the lowest power or highest performance as appropriate.

Features 66h and CCh can be used to enable and disable whether the Power On Reset (POR) Defaults shall be set when a soft reset occurs. The default setting is to revert to the POR defaults when a soft reset occurs.

(25) Set Max Address – F9h

| Bit -> | 7 | 6 | 5 | 4 | 3 | 2 | 1 | 0 |
|--------------|---------------------------|-----|---|-------|------------------|---|---|----------|
| Command | F9h | | | | | | | |
| C/D/H (6) | 1 | LBA | 1 | Drive | Head (LBA 27-24) | | | |
| Cyl High (5) | Cylinder High (LBA 23-16) | | | | | | | |
| Cyl Low (4) | Cylinder Low (LBA 15-8) | | | | | | | |
| Sec Num (3) | X (LBA 7-0) | | | | | | | |
| Sec Cnt (2) | X | | | | | | | Volatile |
| Feature (1) | X | | | | | | | |

Set Max Address

This command is used to set a temporary or permanent maximum address. After successful command completion,

all read and write access attempts to addresses greater than the specified maximum address shall be rejected with an IDNF error. IDENTIFY DEVICE response words (61:60) shall reflect the maximum address set with this command.

After a successful SET MAX ADDRESS command using a new maximum LBA the content of all IDENTIFY DEVICE words (61:60) shall be equal to the new Maximum LBA + 1.

The LBA address in the command registers is the maximum address for the setting. Bit 0 in the Sector Count represents Value volatile.

If bit 0 is set to one, the device shall preserve the maximum values over power-up or hardware reset.

If bit 0 is cleared to zero, the device shall revert to the most recent non-volatile maximum address value setting over power-up or hardware reset.

(26) Set Multiple Mode - C6h

| Bit -> | 7 | 6 | 5 | 4 | 3 | 2 | 1 | 0 |
|--------------|--------------|---|---|-------|---|---|---|---|
| Command | C6h | | | | | | | |
| C/D/H (6) | X | | | Drive | X | | | |
| Cyl High (5) | | | | | X | | | |
| Cyl Low (4) | | | | | X | | | |
| Sec Num (3) | | | | | X | | | |
| Sec Cnt (2) | Sector Count | | | | | | | |
| Feature (1) | | | | | X | | | |

Set Multiple Mode

This command enables the device to perform Read and Write Multiple operations and establishes the block count for these commands. The Sector Count Register is loaded with the number of sectors per block. Upon receipt of the command, the device sets BSY to 1 and checks the Sector Count Register.

If the Sector Count Register contains a valid value and the block count is supported, the value is loaded and execution is enabled for all subsequent Read Multiple and Write Multiple commands.

If the block count is not supported, an Aborted Command error is posted and the Read Multiple and Write Multiple commands are disabled. If the Sector Count Register contains 0 when the command is issued, Read and Write Multiple commands are disabled. At power on, or after a hardware or (unless disabled by a Set Feature command) software reset, the default mode is Read and Write Multiple disabled.

(27) Set Sleep Mode- 99h or E6h

| Bit -> | 7 | 6 | 5 | 4 | 3 | 2 | 1 | 0 |
|--------------|------------|---|---|-------|---|---|---|---|
| Command | 99h or E6h | | | | | | | |
| C/D/H (6) | X | | | Drive | X | | | |
| Cyl High (5) | | | | | X | | | |
| Cyl Low (4) | | | | | X | | | |
| Sec Num (3) | | | | | X | | | |
| Sec Cnt (2) | | | | | X | | | |
| Feature (1) | | | | | X | | | |

Set Sleep Mode

This command causes the device to set BSY, enter the Sleep mode, clear BSY and generate an interrupt. Recovery from sleep mode is accomplished by simply issuing another command (a reset is permitted but not required). Sleep mode is also entered when internal timers expire so the host does not need to issue this command except when it wishes to enter Sleep mode immediately. The default value for the timer is 5 milliseconds. Note that this time base (5

msec) is different from the ATA Specification.

(28) SMART- B0h

Individual SMART commands are identified by the value placed in the Feature register. The following table shows these Feature register values for this device.

Table 12: SMART Feature register values

| Value | Command |
|--------|--|
| D0h | SMART Read Data |
| D2h | SMART Enable/Disable Attribute Autosave |
| D8h | SMART Enable Operations |
| D9h | SMART Disable Operations |
| DAh | SMART Return Status |
| E0h | (Vendor Specific SMART function): SMART Read Remap Data |
| E1h | (Vendor Specific SMART function): SMART Read Wear Level Data |
| Others | Reserved |

Notice: If reserved size below the Threshold, the status can be read from Cylinder register by SMART Return Status command (DAh).

● **Feature D9h: SMART Disable Operations**

| Bit -> | 7 | 6 | 5 | 4 | 3 | 2 | 1 | 0 |
|--------------|-----|---|---|-------|---|---|---|---|
| Command | B0h | | | | | | | |
| C/D/H (6) | X | | | Drive | X | | | |
| Cyl High (5) | C2h | | | | | | | |
| Cyl Low (4) | 4Fh | | | | | | | |
| Sec Num (3) | X | | | | | | | |
| Sec Cnt (2) | X | | | | | | | |
| Feature (1) | D9h | | | | | | | |

SMART Disable Operations

This command disables all SMART capabilities within the device including any and all timer and event count functions related exclusively to this feature. After command acceptance the device shall disable all SMART operations. SMART data shall no longer be monitored or saved by the device. The state of SMART, either enabled or disabled, shall be preserved by the device across power cycles.

After receipt of this command by the device, all other SMART commands including SMART DISABLE OPERATIONS commands, with the exception of SMART ENABLE OPERATIONS, are disabled and invalid and shall be command aborted by the device.

● **Feature D2h: SMART Enable/Disable Attribute Autosave**

| Bit -> | 7 | 6 | 5 | 4 | 3 | 2 | 1 | 0 |
|--------------|------------|---|---|-------|---|---|---|---|
| Command | B0h | | | | | | | |
| C/D/H (6) | X | | | Drive | X | | | |
| Cyl High (5) | C2h | | | | | | | |
| Cyl Low (4) | 4Fh | | | | | | | |
| Sec Num (3) | X | | | | | | | |
| Sec Cnt (2) | 00h or F1h | | | | | | | |
| Feature (1) | D2h | | | | | | | |

SMART Enable/Disable Attribute Autosave

This command enables and disables the optional attribute autosave feature of the device. This command may

either allow the device, after some vendor specified event, to save the device updated attribute values to nonvolatile memory; or this command may cause the autosave feature to be disabled. The state of the attribute autosave feature (either enabled or disabled) shall be preserved by the device across power cycles.

A value of zero written by the host into the device's Sector Count register before issuing this command shall cause this feature to be disabled. Disabling this feature does not preclude the device from saving SMART data to non-volatile memory during some other normal operation such as during a power-on or power-off sequence or during an error recovery sequence.

A value of F1h written by the host into the device's Sector Count register before issuing this command shall cause this feature to be enabled. Any other meaning of this value or any other non-zero value written by the host into this register before issuing this command may differ from device to device. The meaning of any nonzero value written to this register at this time shall be preserved by the device across power cycles.

If this command is not supported by the device, the device shall return command aborted upon receipt from the host.

During execution of the autosave routine the device shall not set BSY to one nor clear DRDY to zero. If the device receives a command from the host while executing the autosave routine the device shall begin processing the command within two seconds.

● **Feature D8h: SMART Enable Operations**

| Bit -> | 7 | 6 | 5 | 4 | 3 | 2 | 1 | 0 |
|--------------|-----|---|---|-------|---|---|---|---|
| Command | B0h | | | | | | | |
| C/D/H (6) | X | | | Drive | X | | | |
| Cyl High (5) | C2h | | | | | | | |
| Cyl Low (4) | 4Fh | | | | | | | |
| Sec Num (3) | X | | | | | | | |
| Sec Cnt (2) | X | | | | | | | |
| Feature (1) | D8h | | | | | | | |

SMART Enable Operations

This command enables access to all SMART capabilities within the device. Prior to receipt of this command SMART data are neither monitored nor saved by the device. The state of SMART (either enabled or disabled) shall be preserved by the device across power cycles. Once enabled, the receipt of subsequent SMART ENABLE OPERATIONS commands shall not affect any SMART data or functions.

● **Feature D0h: SMART Read Data**

| Bit -> | 7 | 6 | 5 | 4 | 3 | 2 | 1 | 0 |
|--------------|-----|---|---|-------|---|---|---|---|
| Command | B0h | | | | | | | |
| C/D/H (6) | X | | | Drive | X | | | |
| Cyl High (5) | C2h | | | | | | | |
| Cyl Low (4) | 4Fh | | | | | | | |
| Sec Num (3) | X | | | | | | | |
| Sec Cnt (2) | X | | | | | | | |
| Feature (1) | D0h | | | | | | | |

SMART Read Data

This command returns the Device SMART data structure to the host. Table showed below defines the 512 bytes that make up the Device SMART data structure.

Table 13: Device SMART Data Structure

| Offset | Value | Description |
|---------|-------|---|
| 0-1 | 0004h | SMAT Structure Revision code |
| 2-361 | V | Attribute entries 1 to 30 (12 bytes each) |
| 362 | 00h | Off-line data collection status (No off-line data collection) (Fixed) |
| 363 | 00h | Self-test execution status byte (Self-test completed) (Fixed) |
| 364-365 | 0000h | Total time in seconds to complete off-line data collection activity (Fixed) |
| 366 | 00h | Reserved |
| 367 | 00h | Off-line data collection capability (No Off-line data collection) (Fixed) |
| 368-369 | 0003h | SMART capability |
| 370 | 00h | Error logging capability (No error logging) (Fixed) |
| 371 | 00h | Reserved |
| 372 | 00h | Short self-test routine recommended polling time (in minutes) (Fixed) |
| 373 | 00h | Extended self-test routine recommended polling time (in minutes) (Fixed) |
| 374-385 | 00h | Reserved |
| 386-387 | 00h | Reserved |
| 388-395 | V | Reserved, vendor specification area |
| 396-510 | 00h | Reserved |
| 511 | V | Data structure checksum |

V=the content of the byte is variable and may change depending on the state of the device or the commands executed by the device.
 * 4 Byte value : [MSB] [2] [1] [LSB]

- (0-1) Revision code

This revision code area defines the firmware revision for the device.

- (2-361) Attribute entries 1 to 30 (12 bytes each)

There are five attributes that are defined for this device. These return their data in the attribute section of the SMART data, using a 12 byte data field. Rest of the area is reserved.

- **Spare Block Count Attribute:** This attribute gives information about the amount of available spare blocks.

| Offset | Value | Description |
|--------|-------|--|
| 0 | 196 | Attribute ID – Reallocation Count |
| 1-2 | 0003h | Flags – Pre-fail type, value is updated during normal operation |
| 3 | V | Attribute value. The value returned here is the minimum percentage of remaining spare blocks over all flash chips, i.e. min over all chips: (100 × current spare blocks / initial spare blocks) |
| 4-5 | V | Initial number of spare blocks of the flash chip that has been used for the attribute value calculation. |
| 6-7 | V | Current number of spare blocks of the flash chip that has been used for the attribute value calculation. |
| 8-9 | V | Sum of the initial number of spare blocks for all flash chips. |
| 10-11 | V | Sum of the current number of spare blocks for all flash chips. |

This attribute is used for the SMART Return Status command. If the attribute value field is less than the spare block threshold, the SMART Return Status command will indicate a threshold exceeded condition.

- **Erase Count Attribute:** This attribute gives information about the amount of flash block erases that have been performed.

| Offset | Value | Description |
|--------|-------|--|
| 0 | 229 | Attribute ID – Erase Count Usage (vendor specific) |
| 1-2 | 0003h | Flags – Pre-fail type, value is updated during normal operation |
| 3 | V | Attribute value. The value returned here is an estimation of the remaining device life, in percent, based on the number of block erases compared to the target number of erase cycles per flash block. |
| 4-11 | V | Estimated total number of block erases |

This attribute is used for the SMART Return Status command. If the attribute value field is less than the erase count threshold, the SMART Return Status command will indicate a threshold exceeded condition.

- **Total ECC Errors Attribute:** This attribute gives information about the total number of ECC errors that have occurred on flash read commands. This attribute is not used for the SMART Return Status command.

| Offset | Value | Description |
|--------|-------|---|
| 0 | 203 | Attribute ID – Number of ECC errors |
| 1-2 | 0002h | Flags – Advisory type, value is updated during normal operation |
| 3 | 64h | Attribute value. This value is fixed at 100. |
| 4-7 | V | Total number of ECC errors (correctable and uncorrectable) |
| 8-11 | - | Reserved |

- **Correctable ECC Errors Attribute:** This attribute gives information about the total number of correctable ECC errors that have occurred on flash read commands. This attribute is not used for the SMART Return Status command.

| Offset | Value | Description |
|--------|-------|---|
| 0 | 204 | Attribute ID – Number of corrected ECC errors |
| 1-2 | 0002h | Flags – Advisory type, value is updated during normal operation |
| 3 | 64h | Attribute value. This value is fixed at 100. |
| 4-7 | V | Total number of correctable ECC errors. |
| 8-11 | - | Reserved |

- **Total Number of Reads Attribute:** This attribute gives information about the total number of flash read commands. This can be useful for the interpretation of the number of correctable or total ECC errors. This attribute is not used for the SMART Return Status command.

| Offset | Value | Description |
|--------|-------|---|
| 0 | 232 | Attribute ID – Number of Reads (vendor specific) |
| 1-2 | 0002h | Flags – Advisory type, value is updated during normal operation |
| 3 | 64h | Attribute value. This value is fixed at 100. |
| 4-11 | V | Total number of flash read commands. |

- **UDMA CRC Errors Attribute:** This attribute gives information about the total number of UDMA CRC errors that have occurred on flash read commands. This attribute is not used for the SMART Return Status command.

| Offset | Value | Description |
|--------|-------|---|
| 0 | 199 | Attribute ID – UDMA CRC error rate |
| 1-2 | 0002h | Flags – Advisory type, value is updated during normal operation |
| 3 | 64h | Attribute value. This value is fixed at 100. |
| 4-7 | V | Total number of UDMA CRC errors |
| 8-11 | - | Reserved |

- (368-369) SMART capabilities

The following describes the definition for the SMART capabilities bits.

- Bit 0 - If this bit is set to one, the device saves SMART data prior to going into a power saving mode (Idle, Standby, or Sleep) or immediately upon return to Active or Idle mode from a Standby mode. If this bit is cleared to zero, the device does not save SMART data prior to going into a power saving mode (Idle, Standby, or Sleep) or immediately upon return to Active or Idle mode from a Standby mode.
- Bit 1 - This bit shall be set to one to indicate that the device supports the SMART ENABLE/DISABLE ATTRIBUTE AUTOSAVE command.
- Bits (15:2) (Reserved).

- (372) Self-test routine recommended polling time

The self-test routine recommended polling time shall be equal to the number of minutes that is the minimum recommended time before which the host should first poll for test completion status. Actual test time could be several times this value. Polling before this time could extend the self-test execution time or abort the test depending on the state of bit 2 of the off-line data capability bits.

- (511) Data structure checksum

The data structure checksum is the two's complement of the sum of the first 511 bytes in the data structure. Each byte shall be added with unsigned arithmetic, and overflow shall be ignored. The sum of all 512 bytes will be zero when the checksum is correct. The checksum is placed in byte 511.

● **Feature DAh: SMART Return Status**

| Bit -> | 7 | 6 | 5 | 4 | 3 | 2 | 1 | 0 |
|--------------|-----|---|---|-------|---|---|---|---|
| Command | B0h | | | | | | | |
| C/D/H (6) | X | | | Drive | X | | | |
| Cyl High (5) | C2h | | | | | | | |
| Cyl Low (4) | 4Fh | | | | | | | |
| Sec Num (3) | X | | | | | | | |
| Sec Cnt (2) | X | | | | | | | |
| Feature (1) | DAh | | | | | | | |

SMART Return Status

This command causes the device to communicate the reliability status of the device to the host. If a threshold exceeded condition is not detected by the device, the device shall set the LBA Mid register to 4Fh and the LBA High register to C2h. If a threshold exceeded condition is detected by the device, the device shall set the LBA Mid register to F4h and the LBA High register to 2Ch.

● Feature E0h: SMART Read Remap Data (Vendor specific)

| Bit -> | 7 | 6 | 5 | 4 | 3 | 2 | 1 | 0 |
|--------------|-----|---|---|-------|---|---|---|---|
| Command | B0h | | | | | | | |
| C/D/H (6) | X | | | Drive | X | | | |
| Cyl High (5) | C2h | | | | | | | |
| Cyl Low (4) | 4Fh | | | | | | | |
| Sec Num (3) | X | | | | | | | |
| Sec Cnt (2) | 01h | | | | | | | |
| Feature (1) | E0h | | | | | | | |

SMART Read Remap Data (Vendor specific)

This command returns one sector of spare block information. The information is the initial number of blocks (directly after the pre-format) per flash chip available for bad block remap, and the current number of blocks per flash chip available for bad block remap. The layout of the returned sector is:

| Offset | Description |
|--------|---|
| 0-31 | Initial number of replacement blocks for chips 0..15, 2 bytes per entry |
| 32-63 | Current number of replacement blocks for chips 0..15, 2 bytes per entry |
| 64-511 | Reserved |

● Feature E1h: SMART Read Wear Level Data (Vendor specific)

| Bit -> | 7 | 6 | 5 | 4 | 3 | 2 | 1 | 0 |
|--------------|-----|---|---|-------|---|---|---|---|
| Command | B0h | | | | | | | |
| C/D/H (6) | X | | | Drive | X | | | |
| Cyl High (5) | C2h | | | | | | | |
| Cyl Low (4) | 4Fh | | | | | | | |
| Sec Num (3) | X | | | | | | | |
| Sec Cnt (2) | 04h | | | | | | | |
| Feature (1) | E1h | | | | | | | |

SMART Read Wear Level Data (Vendor specific)

This command will return four sectors of information regarding the status of the wear leveling. The information returned is the distribution of the blocks into the 1024 possible wear level classes. For each of the wear level classes, the number of blocks that have this class is returned in the data sectors.

The layout of the returned sectors is, with n the sector number from 0 to 3:

| Offset | Description |
|---------|---|
| 0-1 | Number of flash blocks that have wear level class $256*n+0$ |
| 2-3 | Number of flash blocks that have wear level class $256*n+1$ |
| | |
| 508-509 | Number of flash blocks that have wear level class $256*n+254$ |
| 510-511 | Number of flash blocks that have wear level class $256*n+255$ |

i.e. the first sector returns the information for wear level classes 0 to 255, the second sector returns the information for wear level classes 256 to 511, and so on.

A block moves from one wear level class into the next when it reaches the number of erases that is specified as the "Wear Level Threshold" in the preformat. A common threshold number is 4095, this means that blocks in wear level class 0 have seen 0 to 4095 erases, blocks in wear level class 1 have seen 4096 to 8191 erases, and so on. Using this information, statements about the wear of the device, and of the estimated remaining life can be made. The useful range of wear level classes is 0 to 1022, class 1023 has blocks that are not subject to wear leveling, like the Anchor block.

(29) Standby - 96h or E2h

| Bit -> | 7 | 6 | 5 | 4 | 3 | 2 | 1 | 0 |
|--------------|------------|---|---|-------|---|---|---|---|
| Command | 96h or E2h | | | | | | | |
| C/D/H (6) | X | | | Drive | X | | | |
| Cyl High (5) | | | | | X | | | |
| Cyl Low (4) | | | | | X | | | |
| Sec Num (3) | | | | | X | | | |
| Sec Cnt (2) | | | | | X | | | |
| Feature (1) | | | | | X | | | |

Standby

This command causes the device to set BSY, enter the Sleep mode (which corresponds to the ATA “Standby” Mode), clear BSY and return the interrupt immediately. Recovery from sleep mode is accomplished by simply issuing another command (a reset is not required).

(30) Standby Immediate - 94h or E0h

| Bit -> | 7 | 6 | 5 | 4 | 3 | 2 | 1 | 0 |
|--------------|------------|---|---|-------|---|---|---|---|
| Command | 94h or E0h | | | | | | | |
| C/D/H (6) | X | | | Drive | X | | | |
| Cyl High (5) | | | | | X | | | |
| Cyl Low (4) | | | | | X | | | |
| Sec Num (3) | | | | | X | | | |
| Sec Cnt (2) | | | | | X | | | |
| Feature (1) | | | | | X | | | |

Standby Immediate

This command causes the device to set BSY, enter the Sleep mode (which corresponds to the ATA “Standby” Mode), clear BSY and return the interrupt immediately. Recovery from sleep mode is accomplished by simply issuing another command (a reset is not required).

(31) Translate Sector - 87h

| Bit -> | 7 | 6 | 5 | 4 | 3 | 2 | 1 | 0 |
|--------------|---------------------------|-----|---|-------|------------------|---|---|---|
| Command | 87h | | | | | | | |
| C/D/H (6) | 1 | LBA | 1 | Drive | Head (LBA 27-24) | | | |
| Cyl High (5) | Cylinder High (LBA 23-16) | | | | | | | |
| Cyl Low (4) | Cylinder Low (LBA 15-8) | | | | | | | |
| Sec Num (3) | Sector Number (LBA 7-0) | | | | | | | |
| Sec Cnt (2) | | | | | X | | | |
| Feature (1) | | | | | X | | | |

Translate Sector

This command allows the host a method of determining the exact number of times a user sector has been erased and programmed. The controller responds with a 512 byte buffer of information containing the desired cylinder, head and sector, including its Logical Address, and the Hot Count, if available, for that sector. Table 14 represents the information in the buffer. Please note that this command is unique to the device.

Table 14: Translate Sector Information

| Address | Information |
|-----------|--|
| 00h-01h | Cylinder MSB (00), Cylinder LSB (01) |
| 02h | Head |
| 03h | Sector |
| 04h-06h | LBA MSB (04) - LSB (06) |
| 07h-12h | Reserved |
| 13h | Erased Flag (FFh) = Erased; 00h = Not Erased |
| 14h – 17h | Reserved |
| 18h-1Ah | Hot Count MSB (18) - LSB (1A) 1 |
| 1Bh-1FFh | Reserved |

Notice: 1) A value of 0 indicates Hot Count is not supported.

(32) Write Buffer - E8h

| Bit -> | 7 | 6 | 5 | 4 | 3 | 2 | 1 | 0 |
|--------------|-----|---|---|-------|---|---|---|---|
| Command | E8h | | | | | | | |
| C/D/H (6) | X | | | Drive | X | | | |
| Cyl High (5) | | | | | X | | | |
| Cyl Low (4) | | | | | X | | | |
| Sec Num (3) | | | | | X | | | |
| Sec Cnt (2) | | | | | X | | | |
| Feature (1) | | | | | X | | | |

Write Buffer

The Write Buffer command enables the host to overwrite contents of the device's sector buffer with any data pattern desired. This command has the same protocol as the Write Sector(s) command and transfers 512 bytes.

(33) Write DMA – CAh

| Bit -> | 7 | 6 | 5 | 4 | 3 | 2 | 1 | 0 |
|--------------|---------------------------|-----|---|-------|------------------|---|---|---|
| Command | CAh | | | | | | | |
| C/D/H (6) | 1 | LBA | 1 | Drive | Head (LBA 27-24) | | | |
| Cyl High (5) | Cylinder High (LBA 23-16) | | | | | | | |
| Cyl Low (4) | Cylinder Low (LBA 15-8) | | | | | | | |
| Sec Num (3) | Sector Number (LBA 7-0) | | | | | | | |
| Sec Cnt (2) | Sector Count | | | | | | | |
| Feature (1) | X | | | | | | | |

Write DMA

This command uses DMA mode to write from 1 to 256 sectors as specified in the Sector Count register. A sector count of 0 requests 256 sectors. The transfer begins at the sector specified in the Sector Number Register. When this command is issued the device sets BSY, puts all or part of the sector of data in the buffer. The Device is then permitted, although not required, to set DRQ, clear BSY. The Device asserts DMAREQ while data is available to be transferred. The host then writes the (512 * sector-count) bytes of data to the Device using DMA. While DMAREQ is asserted by the Device, the Host asserts -DMACK while it is ready to transfer data by DMA and asserts -IOWR once for each 16 bit word to be transferred from the Host.

Interrupts are not generated on every sector, but upon completion of the transfer of the entire number of sectors to be transferred or upon the occurrence of an unrecoverable error.

At command completion, the Command Block Registers contain the cylinder, head and sector number of the last sector

read. If an error occurs, the read terminates at the sector where the error occurred. The Command Block Registers contain the cylinder, head, and sector number of the sector where the error occurred. The amount of data transferred is indeterminate.

When a Write DMA command is received by the Device and 8 bit transfer mode has been enabled by the Set Features command, the Device shall return the Aborted error.

(34) Write Long Sector - 32h or 33h

| Bit -> | 7 | 6 | 5 | 4 | 3 | 2 | 1 | 0 |
|--------------|---------------------------|-----|---|-------|------------------|---|---|---|
| Command | 32h or 33h | | | | | | | |
| C/D/H (6) | 1 | LBA | 1 | Drive | Head (LBA 27-24) | | | |
| Cyl High (5) | Cylinder High (LBA 23-16) | | | | | | | |
| Cyl Low (4) | Cylinder Low (LBA 15-8) | | | | | | | |
| Sec Num (3) | Sector Number (LBA 7-0) | | | | | | | |
| Sec Cnt (2) | X | | | | | | | |
| Feature (1) | X | | | | | | | |

Write Long Sector

This command is similar to the Write Sector(s) command except that it writes 516 bytes instead of 512 bytes. Only single sector Write Long operations are supported. The transfer consists of 512 bytes of data transferred in word mode followed by 4 bytes of ECC transferred in byte mode. Because of the unique nature of the solid-state device, the four bytes of ECC transferred by the host may be used by the device. The device may discard these four bytes and write the sector with valid ECC data. This comm device and has the same protocol as the Write Sector(s) command. Use of this command is not recommended.

(35) Write Multiple Command - C5h

| Bit -> | 7 | 6 | 5 | 4 | 3 | 2 | 1 | 0 |
|--------------|---------------|-----|---|-------|------|---|---|---|
| Command | C5h | | | | | | | |
| C/D/H (6) | 1 | LBA | 1 | Drive | Head | | | |
| Cyl High (5) | Cylinder High | | | | | | | |
| Cyl Low (4) | Cylinder Low | | | | | | | |
| Sec Num (3) | Sector Number | | | | | | | |
| Sec Cnt (2) | Sector Count | | | | | | | |
| Feature (1) | X | | | | | | | |

Write Multiple Command

Notice: This specification requires that devices support a multiple block count of 1 and permits larger values to be supported.

This command is similar to the Write Sectors command. The device sets BSY within 400 nsec of accepting the command. Interrupts are not presented on each sector but on the transfer of a block that contains the number of sectors defined by Set Multiple. Command execution is identical to the Write Sectors operation except that the number of sectors defined by the Set Multiple command is transferred without intervening interrupts.

DRQ qualification of the transfer is required only at the start of the data block, not on each sector. The block count of sectors to be transferred without intervening interrupts is programmed by the Set Multiple Mode command, which shall be executed prior to the Write Multiple command.

When the Write Multiple command is issued, the Sector Count Register contains the number of sectors (not the number of blocks or the block count) requested. If the number of requested sectors is not evenly divisible by the block count, as many full blocks as possible are transferred, followed by a final, partial block transfer. The partial block

transfer is for n sectors, where:

$$n = (\text{sector count}) \bmod (\text{block count}).$$

If the Write Multiple command is attempted before the Set Multiple Mode command has been executed or when Write Multiple commands are disabled, the Write Multiple operation shall be rejected with an aborted command error.

Errors encountered during Write Multiple commands are posted after the attempted writes of the block or partial block transferred. The Write command ends with the sector in error, even if it is in the middle of a block. Subsequent blocks are not transferred in the event of an error. Interrupts are generated when DRQ is set at the beginning of each block or partial block.

The Command Block Registers contain the cylinder, head and sector numbers of the sector where the error occurred. The Sector Count Register contains the residual number of sectors that need to be transferred for successful completion of the command, e.g., each block has 4 sectors, a request for 8 sectors is issued and an error occurs on the third sector. The Sector Count Register contains 6 and the address is that of the third sector.

(36) Write Multiple without Erase – CDh

| Bit -> | 7 | 6 | 5 | 4 | 3 | 2 | 1 | 0 |
|--------------|---------------|-----|---|-------|------|---|---|---|
| Command | CDh | | | | | | | |
| C/D/H (6) | X1 | LBA | 1 | Drive | Head | | | |
| Cyl High (5) | Cylinder High | | | | | | | |
| Cyl Low (4) | Cylinder Low | | | | | | | |
| Sec Num (3) | Sector Number | | | | | | | |
| Sec Cnt (2) | Sector Count | | | | | | | |
| Feature (1) | X | | | | | | | |

Write Multiple without Erase

This command is similar to the Write Multiple command with the exception that an implied erase before write operation is not performed. The sectors should be pre-erased with the Erase Sector(s) command before this command is issued.

(37) Write Sector(s) - 30h or 31h

| Bit -> | 7 | 6 | 5 | 4 | 3 | 2 | 1 | 0 |
|--------------|---------------------------|-----|---|-------|------------------|---|---|---|
| Command | 30h or 31h | | | | | | | |
| C/D/H (6) | 1 | LBA | 1 | Drive | Head (LBA 27-24) | | | |
| Cyl High (5) | Cylinder High (LBA 23-16) | | | | | | | |
| Cyl Low (4) | Cylinder Low (LBA 15-8) | | | | | | | |
| Sec Num (3) | Sector Number (LBA 7-0) | | | | | | | |
| Sec Cnt (2) | Sector Count | | | | | | | |
| Feature (1) | X | | | | | | | |

Write Sector(s)

This command writes from 1 to 256 sectors as specified in the Sector Count Register. A sector count of zero requests 256 sectors. The transfer begins at the sector specified in the Sector Number Register. When this command is accepted, the device sets BSY, then sets DRQ and clears BSY, then waits for the host to fill the sector buffer with the data to be written. No interrupt is generated to start the first host transfer operation. No data should be transferred by the host until BSY has been cleared by the host.

For multiple sectors, after the first sector of data is in the buffer, BSY shall be set and DRQ shall be cleared. After the next buffer is ready for data, BSY is cleared, DRQ is set and an interrupt is generated. When the final sector of data

is transferred, BSY is set and DRQ is cleared. It shall remain in this state until the command is completed at which time BSY is cleared and an interrupt is generated.

If an error occurs during a write of more than one sector, writing terminates at the sector where the error occurs. The Command Block Registers contain the cylinder, head and sector number of the sector where the error occurred. The host may then read the command block to determine what error has occurred, and on which sector.

(38) Write Sector(s) without Erase - 38h

| Bit -> | 7 | 6 | 5 | 4 | 3 | 2 | 1 | 0 |
|--------------|---------------------------|-----|---|-------|------------------|---|---|---|
| Command | 38h | | | | | | | |
| C/D/H (6) | 1 | LBA | 1 | Drive | Head (LBA 27-24) | | | |
| Cyl High (5) | Cylinder High (LBA 23-16) | | | | | | | |
| Cyl Low (4) | Cylinder Low (LBA 15-8) | | | | | | | |
| Sec Num (3) | Sector Number (LBA 7-0) | | | | | | | |
| Sec Cnt (2) | Sector Count | | | | | | | |
| Feature (1) | X | | | | | | | |

Write Sector(s) without Erase

This command is similar to the Write Sector(s) command with the exception that an implied erase before write operation is not performed. This command has the same protocol as the Write Sector(s) command. The sectors should be pre-erased with the Erase Sector(s) command before this command is issued. If the sector is not pre-erased with the Erase Sector(s) command, a normal write sector operation will occur.

(39) Write Verify - 3Ch

| Bit -> | 7 | 6 | 5 | 4 | 3 | 2 | 1 | 0 |
|--------------|---------------------------|-----|---|-------|------------------|---|---|---|
| Command | 3Ch | | | | | | | |
| C/D/H (6) | 1 | LBA | 1 | Drive | Head (LBA 27-24) | | | |
| Cyl High (5) | Cylinder High (LBA 23-16) | | | | | | | |
| Cyl Low (4) | Cylinder Low (LBA 15-8) | | | | | | | |
| Sec Num (3) | Sector Number (LBA 7-0) | | | | | | | |
| Sec Cnt (2) | Sector Count | | | | | | | |
| Feature (1) | X | | | | | | | |

Write Verify

This command is similar to the Write Sector(s) command, except each sector is verified immediately after being written. This command has the same protocol as the Write Sector(s) command.

4. Operation Specification

4.1 Absolute Maximum Ratings

Absolute Maximum Ratings

| Parameter | Symbol | Rating | Unit |
|----------------------|--------|-------------|------|
| Power supply voltage | VCC | -0.3 ~ +5.6 | V |
| Input voltage | Vin | -0.3 ~ +5.6 | V |

Notice: (Referenced to GND)

Electric characteristics, Vcc=3.3V±10%, or Vcc=5.0V±10%

| Item | Symbol | Min. Value | | Max. Value | | Unit | Remark |
|---------------------------|-----------------|------------|-------------|-------------|-------------|------|--|
| | | 3.3V. | 5V | 3.3V | 5V | | |
| Input voltage (TTL level) | V _{IH} | 2.4 2.1 | 4.0 2.92 | | - | V | Non-Schmitt trigger Schmitt trigger |
| | V _{IL} | - | - | 0.6 1.25 | 0.8 1.70 | V | Non-Schmitt trigger Schmitt trigger |
| Output voltage | V _{OH} | 2.4 | 2.4 | - | - | V | I _{OH} =-1mA |
| | V _{OL} | - | - | 0.45 | 0.45 | V | I _{OL} =4mA |

4.2 PIO Mode Read/Write Timing

The timing diagram for the PIO mode operation in this section is drawn using the conventions in the ATA specification. Signals are shown with their asserted state as high regardless of whether the signal is actually negative or positive true. Consequently, the -IORD , the -IOWR and the -IOCS16 signals are shown in the diagram inverted from their electrical states on the bus.

Table 15: PIO Mode Read/Write Timing

| | Item (unit: ns) | Mode 0 | Mode 1 | Mode 2 | Mode 3 | Mode 4 |
|-----------------|--|--------|--------|--------|--------|--------|
| t ₀ | Cycle Time (min) ¹ | 600 | 383 | 240 | 180 | 120 |
| t ₁ | Address Valid to $\text{-IORD}/\text{-IOWR}$ setup (min) | 70 | 50 | 30 | 30 | 25 |
| t ₂ | $\text{-IORD}/\text{-IOWR}$ (min) ¹ | 165 | 125 | 100 | 80 | 70 |
| t ₂ | $\text{-IORD}/\text{-IOWR}$ (min) Register (8bit) ¹ | 290 | 290 | 290 | 80 | 70 |
| t _{2i} | $\text{-IORD}/\text{-IOWR}$ recovery time(min) ¹ | - | - | - | 70 | 25 |
| t ₃ | -IOWR data setup (min) | 60 | 45 | 30 | 30 | 20 |
| t ₄ | -IOWR data hold (min) | 30 | 20 | 15 | 10 | 10 |
| t ₅ | -IORD data setup(min) | 50 | 35 | 20 | 20 | 20 |
| t ₆ | -IORD data hold (min) | 5 | 5 | 5 | 5 | 5 |
| t _{6Z} | -IORD data tristate (max) ² | 30 | 30 | 30 | 30 | 30 |
| t ₇ | Address valid to -IOCS16 assertion (max) ⁴ | 90 | 50 | 40 | NA | NA |
| t ₈ | Address valid to -IOCS16 released (max) ⁴ | 60 | 45 | 30 | NA | NA |
| t ₉ | $\text{-IORD}/\text{-IOWR}$ to address valid hold | 20 | 15 | 10 | 10 | 10 |
| t _{RD} | Read Data Valid to IORDY active (min), if IORDY initially low after t _A | 0 | 0 | 0 | 0 | 0 |
| t _A | IORDY Setup time ³ | 35 | 35 | 35 | 35 | 35 |
| t _B | IORDY Pulse Width (max) | 1250 | 1250 | 1250 | 1250 | 1250 |
| t _C | IORDY assertion to release(max) | 5 | 5 | 5 | 5 | 5 |

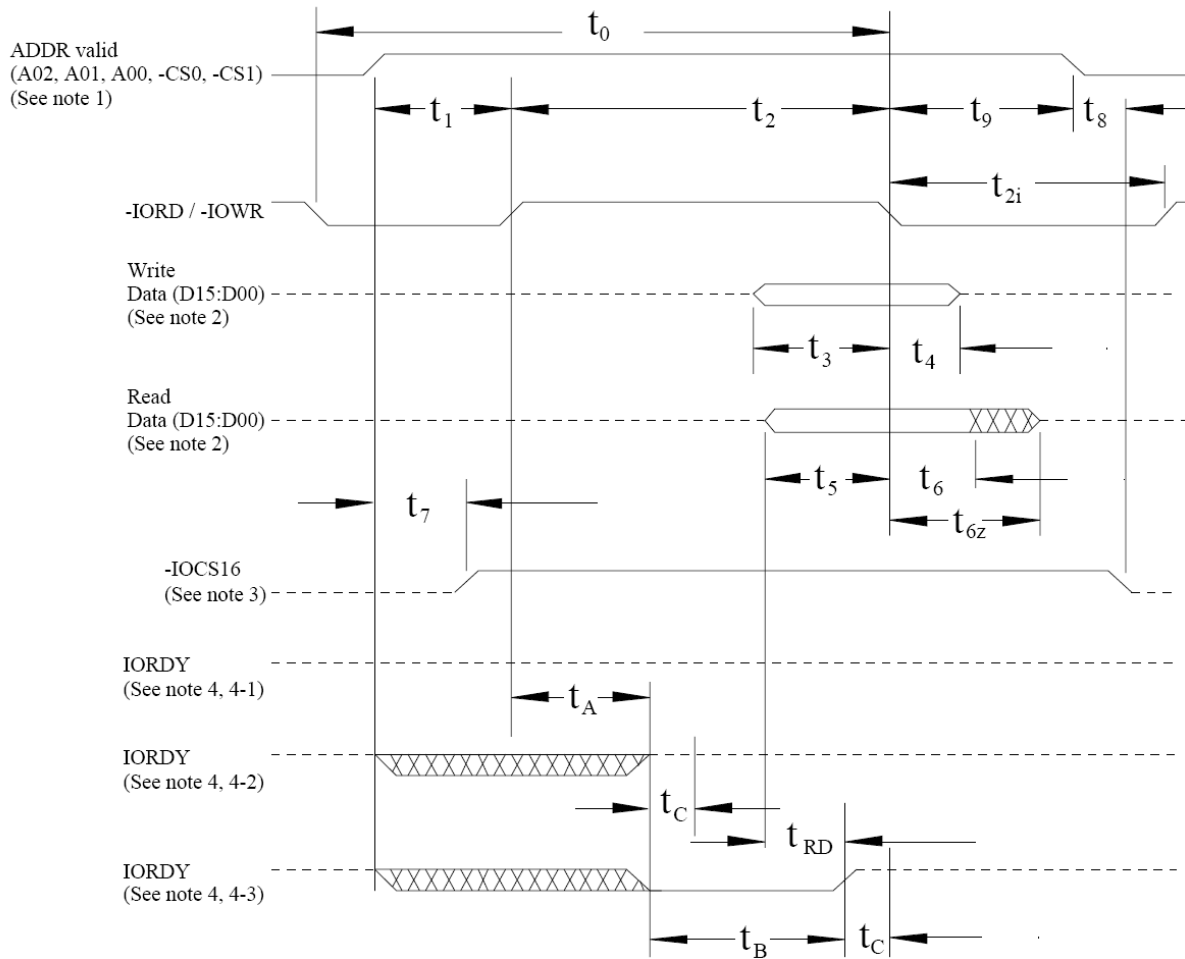
Notice:

All timings are in nanoseconds. The maximum load on -IOCS16 is 1 LSTTL with a 50pF (40pF below 120nsec Cycle Time) total load. All times are in nanoseconds. Minimum time from -IORDY high to -IORD high is 0 nsec, but minimum -IORD width shall still be met.

- t₀ is the minimum total cycle time, t₂ is the minimum command active time, and t_{2i} is the minimum command recovery time or command inactive time, The actual cycle time equals the sum of the actual command active time and the actual command

inactive time. The three timing requirements of t_0 , t_2 , and t_{2i} shall be met. The minimum total cycle time requirement is greater than the sum of t_2 and t_{2i} . This means a host implementation can lengthen either or both t_2 or t_{2i} to ensure that t_0 is equal to or greater than the value reported in the device's identify device data. The Device implementation shall support any legal host implementation.

- This Parameter Specifies the time from the negation edge of -IORD to the time that the data bus is no longer driven by the Device (tri-state).
- The delay from the activation of -IORD or -IOWR until the state of IORDY is first sampled. If IORDY is inactive then the host shall wait until IORDY is active before the PIO cycle can be completed. If the Device is not driving IORDY negated at t_A after the activation of -IORD or -IOWR , then t_5 shall be met and t_{RD} is not applicable. If the Device is Driving IORDY negated at the time t_A after the activation of -IORD or -IOWR , then t_{RD} shall be met and t_5 is not applicable.
- t_7 and t_8 apply only to modes 0, 1 and 2. For other modes, this signal is not valid.



Notes:

- (1) Device address consists of -CS0 , -CS1 , and $\text{A}[02::00]$
- (2) Data consists of $\text{D}[15::00]$ (16-bit) or $\text{D}[07::00]$ (8 bit)
- (3) -IOCS16 is shown for PIO modes 0, 1 and 2. For other modes, this signal is ignored.
- (4) The negation of IORDY by the device is used to extend the PIO cycle. The determination of whether the cycle is to be extended is made by the host after t_A from the assertion of -IORD or -IOWR . The assertion and negation of IORDY is described in the following three cases:
 - (4-1) Device never negates IORDY : No wait is generated.
 - (4-2) Device starts to drive IORDY low before t_A , but causes IORDY to be asserted before t_A : No wait generated.
 - (4-3) Device drives IORDY low before t_A : wait generated. The cycle completes after IORDY is reasserted. For cycles where a wait is generated and -IORD is asserted, the device shall place read data on D15-D00 for t_{RD} before causing IORDY to be asserted.

ALL WAVEFORMS IN THIS DIAGRAM ARE SHOWN WITH THE ASSERTED STATE HIGH.
 NEGATIVE TRUE SIGNALS APPEAR INVERTED ON THE BUS RELATIVE TO THE DIAGRAM.

Figure 6: PIO Mode Timing Diagram

4.3 Multiword DMA Mode Read/Write Timing Specification

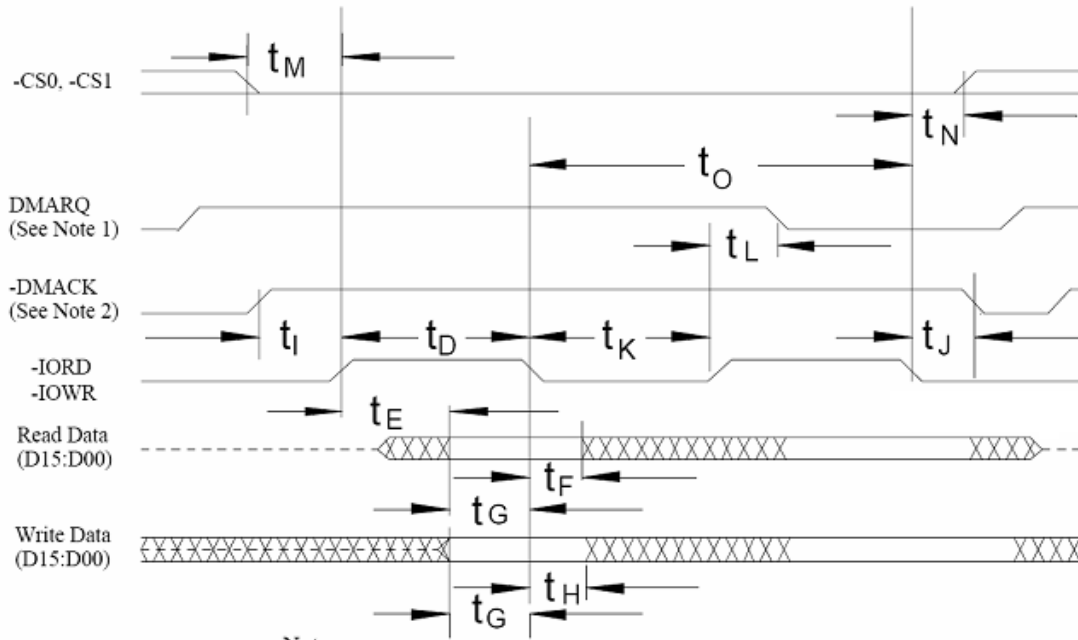
The timing diagram for Multiword DMA mode of operation in this section is drawn using the conventions in the ATA specification. Signals are shown with their asserted state as high regardless of whether the signal is actually negative or positive true. Consequently, the -IOR\!D , the -IOW\!R and the -IOCS16 signals are shown in the diagram inverted from their electrical states on the bus.

Table 16: Multiword DMA mode Read/Write Timing

| | Item (Unit: ns) | Mode 0 | Mode 1 | Mode 2 | Note |
|----------|---|--------|--------|--------|------|
| t_O | Cycle time (min) | 480 | 150 | 120 | 1 |
| t_D | $\text{-IOR\!D}/ \text{-IOW\!R}$ asserted width (min) | 215 | 80 | 70 | 1 |
| t_E | -IOR\!D data access (max) | 150 | 60 | 50 | |
| t_F | -IOR\!D data hold(min) | 5 | 5 | 5 | |
| t_G | $\text{-IOR\!D}/\text{-IOW\!R}$ data setup(min) | 100 | 30 | 20 | |
| t_H | -IOW\!R data hold(min) | 20 | 15 | 10 | |
| t_I | DMACK to $\text{-IOR\!D}/\text{-IOW\!R}$ setup (min) | 0 | 0 | 0 | |
| t_J | $\text{-IOR\!D}/\text{-IOW\!R}$ to -DMACK hold (min) | 20 | 5 | 5 | |
| t_{KR} | -IOR\!D negated width (min) | 50 | 50 | 25 | 1 |
| t_{KW} | -IOW\!R negated width (min) | 215 | 50 | 25 | 1 |
| t_{LR} | -IOR\!D to DMARQ delay (max) | 120 | 40 | 35 | |
| t_{LW} | -IOW\!R to DMARQ delay (max) | 40 | 40 | 35 | |
| t_M | CS(1:0) valid to $\text{-IOR\!D} / \text{-IOW\!R}$ | 50 | 30 | 25 | |
| t_N | CS(1:0) hold | 15 | 10 | 10 | |

Notice:

1) t_O is the minimum total cycle time and t_D the minimum command active time, while t_{KR} and t_{KW} are the minimum command recovery time or command inactive time for input and output cycles respectively. The actual cycle time equals the sum of the actual command active time and the actual command inactive time. The three timing requirements of t_O , t_D , t_{KR} , and t_{KW} shall be met. The minimum total cycle time requirement is greater than the sum of t_D and t_{KR} or t_{KW} for input and output cycles respectively. This mean a host implementation can lengthen either or both of t_D and either of t_{KR} , and t_{KW} as needed to ensure that t_O is equal to or greater than the value reported in the device's identify device data. A device implementation shall support any legal host implementation.



Notes:

- (1) If the Card cannot sustain continuous, minimum cycle time DMA transfers, it may negate DMARQ within the time specified from the start of a DMA transfer cycle to suspend the DMA transfers in progress and reassert the signal at a later time to continue the DMA operation.
- (2) This signal may be negated by the host to suspend the DMA transfer in progress.

ALL WAVEFORMS IN THIS DIAGRAM ARE SHOWN WITH THE ASSERTED STATE HIGH. NEGATIVE TRUE SIGNALS APPEAR INVERTED ON THE BUS RELATIVE TO THE DIAGRAM.

Figure 7: Multiword DMA Read/Write Timing Diagram

4.4 Ultra DMA Mode Read/Write Timing Specification

4.4.1 Ultra DMA Data Transfers Timing

Table 17 and Table 18 define the timings associated with all phases of Ultra DMA bursts.

Table 17: Ultra DMA Data Burst Timing Requirements

| Name | UDMA Mode 0(ns) | | UDMA Mode 1(ns) | | UDMA Mode 2(ns) | | UDMA Mode 3(ns) | | UDMA Mode 4(ns) | | Measurement location (See Note 2) |
|----------------------|-----------------|-----|-----------------|-----|-----------------|-----|-----------------|-----|-----------------|-----|--------------------------------------|
| | Min | Max | Min | Max | Min | Max | Min | Max | Min | Max | |
| t _{2CYCTYP} | 240 | | 160 | | 120 | | 90 | | 60 | | Sender |
| t _{CYC} | 112 | | 73 | | 54 | | 39 | | 25 | | Note 3 |
| t _{2CYC} | 230 | | 153 | | 115 | | 86 | | 57 | | Sender |
| t _{DS} | 15.0 | | 10.0 | | 7.0 | | 7.0 | | 5.0 | | Recipient |
| t _{DH} | 5.0 | | 5.0 | | 5.0 | | 5.0 | | 5.0 | | Recipient |
| t _{DVS} | 70.0 | | 48.0 | | 31.0 | | 20.0 | | 6.7 | | Sender |
| t _{DVH} | 6.2 | | 6.2 | | 6.2 | | 6.2 | | 6.2 | | Sender |
| t _{CS} | 15.0 | | 10.0 | | 7.0 | | 7.0 | | 5.0 | | Device |
| t _{CH} | 5.0 | | 5.0 | | 5.0 | | 5.0 | | 5.0 | | Device |
| t _{CVS} | 70.0 | | 48.0 | | 31.0 | | 20.0 | | 6.7 | | Host |
| t _{CVH} | 6.2 | | 6.2 | | 6.2 | | 6.2 | | 6.2 | | Host |
| t _{ZFS} | 0 | | 0 | | 0 | | 0 | | 0 | | Device |
| t _{DZFS} | 70.0 | | 48.0 | | 31.0 | | 20.0 | | 6.7 | | Sender |
| t _{FS} | | 230 | | 200 | | 170 | | 130 | | 120 | Device |
| t _{LI} | 0 | 150 | 0 | 150 | 0 | 150 | 0 | 100 | 0 | 100 | Note 4 |
| t _{MLI} | 20 | | 20 | | 20 | | 20 | | 20 | | Host |
| t _{UI} | 0 | | 0 | | 0 | | 0 | | 0 | | Host |
| t _{AZ} | | 10 | | 10 | | 10 | | 10 | | 10 | Note 5 |
| t _{ZAG} | 20 | | 20 | | 20 | | 20 | | 20 | | Host |
| t _{ZAD} | 0 | | 0 | | 0 | | 0 | | 0 | | Device |
| t _{ENV} | 20 | 70 | 20 | 70 | 20 | 70 | 20 | 55 | 20 | 55 | Host |
| t _{RFS} | | 75 | | 70 | | 60 | | 60 | | 60 | Sender |
| t _{RP} | 160 | | 125 | | 100 | | 100 | | 100 | | Recipient |
| t _{IORDYZ} | | 20 | | 20 | | 20 | | 20 | | 20 | Device |
| t _{ZIORDY} | 0 | | 0 | | 0 | | 0 | | 0 | | Device |
| t _{ACK} | 20 | | 20 | | 20 | | 20 | | 20 | | Host |
| t _{SS} | 50 | | 50 | | 50 | | 50 | | 50 | | Sender |

Notice:

- 1) All timing measurement switching points (low to high and high to low) shall be taken at 1.5V.
- 2) All signal transitions for a timing parameter shall be measured at the connector specified in the measurement location column. For example, in the case of t_{RFS}, both STROBE and -DMARDY transitions are measured at the sender connector.
- 3) The parameter t_{CYC} shall be measured at the recipient's connector farthest from the sender.
- 4) The parameter t_{LI} shall be measured at the connector of the sender or recipient that is responding to an incoming transition from the recipient or sender respectively. Both the incoming signal and the outgoing response shall be measured at the same connector.
- 5) The parameter t_{AZ} shall be measured at the connector of the sender or recipient that is driving the bus but must release the bus to allow for a bus turn around cycle.
- 6) See the AX Timing requirements in Table 20: Ultra DMA AC Signal Requirements.

Table 18: Ultra DMA Data Burst Timing Descriptions

| Name | Comment | Notes |
|---------------|---|-------|
| $t_{2CYCTYP}$ | Typical sustained average two cycle time | |
| t_{CYC} | Cycle time allowing for asymmetry and clock variations (from STROBE edge to STROBE edge) | |
| t_{2CYC} | Two cycle time allowing for clock variations (from rising edge to next rising edge or from falling edge to next falling edge of STROBE) | |
| t_{DS} | Data setup time at recipient (from data valid until STROBE edge) | 2, 5 |
| t_{DH} | Data hold time at recipient (from STROBE edge until data may become invalid) | 2, 5 |
| t_{DVS} | Data valid setup time at sender (from data valid until STROBE edge) | 3 |
| t_{DVH} | Data valid hold time at sender (from STROBE edge until data may become invalid) | 3 |
| t_{CS} | CRC word setup time at device | 2 |
| t_{CH} | CRC word hold time device | 2 |
| t_{CVS} | CRC word valid setup time at host (from CRC valid until -DMACK negation) | 3 |
| t_{CVH} | CRC word valid hold time at sender (from -DMACK negation until CRC may become invalid) | 3 |
| t_{ZFS} | Time from STROBE output released-to-driving until the first transition of critical timing | |
| t_{DZFS} | Time from data output released-to driving until the first transition of critical timing | |
| t_{FS} | First STROBE time (for device to first negate DSTROBE from STOP during a data in burst) | |
| t_{LI} | Limited interlock time | 1 |
| t_{MLI} | Interlock time with minimum | 1 |
| t_{UI} | Unlimited interlock time | 1 |
| t_{AZ} | Maximum time allowed for output drivers to release (from asserted or negated) | |
| t_{ZAG} | Minimum delay time required for output | |
| t_{ZAD} | Drives to assert or negate (from released) | |
| t_{ENV} | Envelope time(from -DMACK to STOP and -HMARDY during data in burst initiation and from DMACK to STOP during data out burst initiation) | |
| t_{RFS} | Ready-to-final-STROBE time(no STROBE edges shall be sent this long after negation of -DMARDY) | |
| t_{RP} | Ready to pause time (that recipient shall wait to pause after negating -DMARDY) | |
| t_{IORDYZ} | Maximum time before releasing IORDY | |
| t_{ZIORDY} | Minimum time before driving IORDY | 4 |
| t_{ACK} | Setup and hold times for -DMACK (before assertion or negation) | |
| t_{SS} | Time from STROBE edge to negation of DMARQ or assertion of STOP (when sender terminates a burst) | |

Notice:

- 1) The parameters t_{UI} , t_{MLI} (in Figure 13: Ultra DMA Data-In Burst Device Termination Timing and Figure 14: Ultra DMA Data-in Burst Host Termination Timing), and t_{LI} indicate sender-to-recipient or recipient-to-sender interlocks, i.e., one agent (either sender or recipient) is waiting for the other agent to respond with a signal before proceeding. t_{UI} is an unlimited interlock that has no maximum time value. t_{MLI} is a limited time-out that has a defined minimum. t_{LI} is a limited time-out that has a defined maximum.
- 2) 80-conductor cabling shall be required in order to meet setup (t_{DS} , t_{CS}) and hold (t_{DH} , t_{CH}) times in modes greater than 3) Timing for t_{DVS} , t_{DVH} , t_{CVS} and t_{CVH} shall be met for lumped capacitive loads of 15 and 40 pF at the connector where the Data and STROBE signals have the same capacitive load value. Due to reflections on the cable, these timing measurements are not valid in a normally functioning system.
- 4) For all modes the parameter t_{ZIORDY} may be greater than t_{ENV} due to the fact that the host has a pull-up on IORDY- giving it a known state when released.
- 5) The parameters t_{DS} and t_{DH} for mode 5 are defined for a recipient at the end of the cable only in a configuration with a single device located at the end of the cable. This could result in the minimum values for t_{DS} and t_{DH} for mode 5 at the middle connector being 3.0 and 3.9 ns respectively.

Table 19: Ultra DMA Sender and Recipient IC Timing Requirements

| Name | UDMA Mode 0 (ns) | | UDMA Mode 1 (ns) | | UDMA Mode 2 (ns) | | UDMA Mode 3 (ns) | | UDMA Mode 4 (ns) | | UDMA Mode 5 (ns) | |
|-------------|------------------|-----|------------------|-----|------------------|-----|------------------|-----|------------------|-----|------------------|-----|
| | Min | Max | Min | Max | Min | Max | Min | Max | Min | Max | Min | Max |
| t_{DSIC} | 14.7 | | 9.7 | | 6.8 | | 6.8 | | 4.8 | | 2.3 | |
| t_{DHIC} | 4.8 | | 4.8 | | 4.8 | | 4.8 | | 4.8 | | 2.8 | |
| t_{DVSIC} | 72.9 | | 50.9 | | 33.9 | | 22.6 | | 9.5 | | 6.0 | |
| t_{DVHIC} | 9.0 | | 9.0 | | 9.0 | | 9.0 | | 9.0 | | 9.0 | |

Ultra DMA Sender and Recipient IC Timing Description

| Name | Comment |
|-------------|--|
| t_{DSIC} | Recipient IC data setup time (from data valid until STROBE edge) (see note2) |
| t_{DHIC} | Recipient IC data hold time (from STROBE edge until data may become invalid) (see note 2) |
| t_{DVSIC} | Sender IC data valid setup time (from data valid until STROBE edge) (see note 3) |
| t_{DVHIC} | Sender IC data valid hold time (from STROBE edge until data may become invalid) (see note 3) |

Notice:

- 1) All timing measurement switching points (low to high and high to low) shall be taken at 1.5 V.
- 2) The correct data value shall be captured by the recipient given input data with a slew rate of 0.4 V/ns rising and falling at t_{DSIC} and t_{DHIC} timing (as measured through 1.5 V).
- 3) The parameters t_{DVSIC} and t_{DVHIC} shall be met for lumped capacitive loads of 15 and 40 pF at the IC where all signals have the same capacitive load value. Noise that may couple onto the output signals from external sources has not been included in these values.

Table 20: Ultra DMA AC Signal Requirements

| Name | Comment | Min[V/ns] | Max[V/ns] | Notes |
|------------|---------------------------------------|-----------|-----------|-------|
| S_{RISE} | Rising Edge Slew Rate for any signal | | 1.25 | 1 |
| S_{FALL} | Falling Edge Slew Rate for any signal | | 1.25 | 1 |

Notice:

- 1) The Sender shall be tested while driving an 18inch long, 80 conductor cable with PVC insulation material. The signal under test shall be cut at a test point so that it has not trace, cable or recipient loading after the test point. All other signals should remain connected through to the recipient. The test point may be located at any point between the sender's series termination resistor and one half inch or less of conductor exiting the connector. If the test point in on a cable conductor rather than the PCB, an adjacent ground conductor shall also be cut within one half inch of the connector.

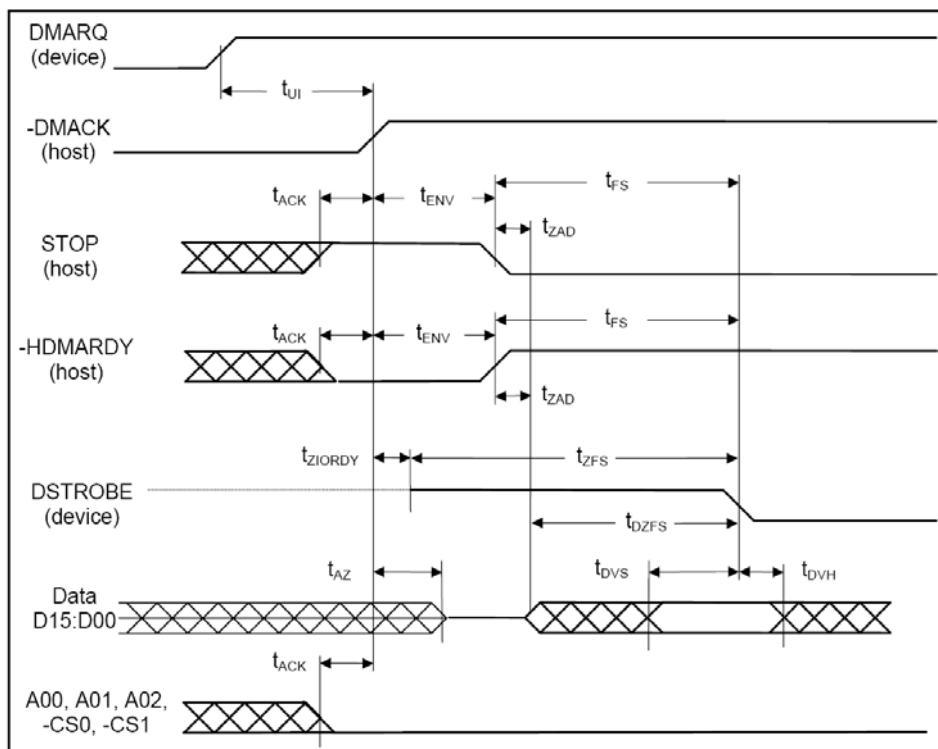
The test load and test points should then be soldered directly to the exposed source side connectors. The test loads consist of a 15 pF or a 40 pF, 5%, 0.08 inch by 0.05 inch surface mount or smaller size capacitor from the test point to ground. Slew rates shall be met for both capacitor values.

Measurements shall be taken at the test point using a <1pF, >100 Kohm, 1 GHz or faster probe and a 500 MHz or faster oscilloscope. The average rate shall be measured from 20% to 80% of the settled VOH level with data transitions at least 120 nsec apart. The settled VOH level shall be measured as the average output high level under the defined testing conditions from 100 nsec after 80% of a rising edge until 20% of the subsequent falling edge.

4.4.2 Initiating an Ultra DMA Data-In Burst

- a) An Ultra DMA Data-In burst is initiated by following the steps lettered below. The timing diagram is shown in Figure 10: Ultra DMA Data-In Burst Initiation Timing. The associated timing parameters are specified in Table 17: Ultra DMA Data Burst Timing Requirements and are described in Table 18: Ultra DMA Data Burst Timing Descriptions.
- b) The following steps shall occur in the order they are listed unless otherwise specifically allowed:
- c) The host shall keep DMACK in the negated state before an Ultra DMA burst is initiated.
- d) The device shall assert DMARQ to initiate an Ultra DMA burst. After assertion of DMARQ the device shall not

- negate DMARQ until after the first negation of DSTROBE.
- e) Steps(c), (d), and (e) may occur in any order or at the same time. The host shall assert STOP.
- f) The host shall negate -HDMARDY .
- g) The host shall negate -CS0 , -CS1 , -DA2 , -DA1 , and DA0 . The host shall keep -CS0 , -CS1 , DA2 , DA1 , and DA0 negated until after negating -DMACK at the end of the burst.
- h) Steps(c), (d), and (e) shall have occurred at least t_{ACK} before the host asserts -DMACK . The host shall keep -DMACK asserted until the end of an Ultra DMA burst.
- i) The host shall release $\text{D}[15:00]$ within t_{AZ} after asserting -DMACK .
- j) The device may assert DSTROBE t_{ZIORDY} after the host has asserted -DMACK . Once the device has driven DSTROBE the device shall not release DSTROBE until after the host has negated -DMACK at the end of an Ultra DMA burst.
- k) The host shall negate STOP and assert -HDMARDY within t_{ENV} after asserting -DMACK . After negating STOP and asserting -HDMARDY , the host shall not change the state of either signal until after receiving the first transition of DSTROBE from the device (i.e., after the first data word has been received).
- l) The device shall drive $\text{D}[15:00]$ no sooner than t_{ZAD} after the host has asserted -DMACK , negated STOP , and asserted -HDMARDY .
- m) The device shall drive the first word of the data transfer onto $\text{D}[15:00]$. This step may occur when the device first drives $\text{D}[15:00]$ in step (j).
- n) To transfer the first word of data the device shall negate DSTROBE within t_{FS} after the host has negated STOP and asserted -HDMARDY . The device shall negate DSTROBE no sooner than t_{DVS} after driving the first word of data onto $\text{D}[15:00]$.



Notes: The definitions for the IORDY : -DDMARDY : DSTROBE , -IORD : -HDMARDY : HSTROBE , and -IOWR : STOP signal lines are not in effect until DMARQ and -DMACK are asserted.

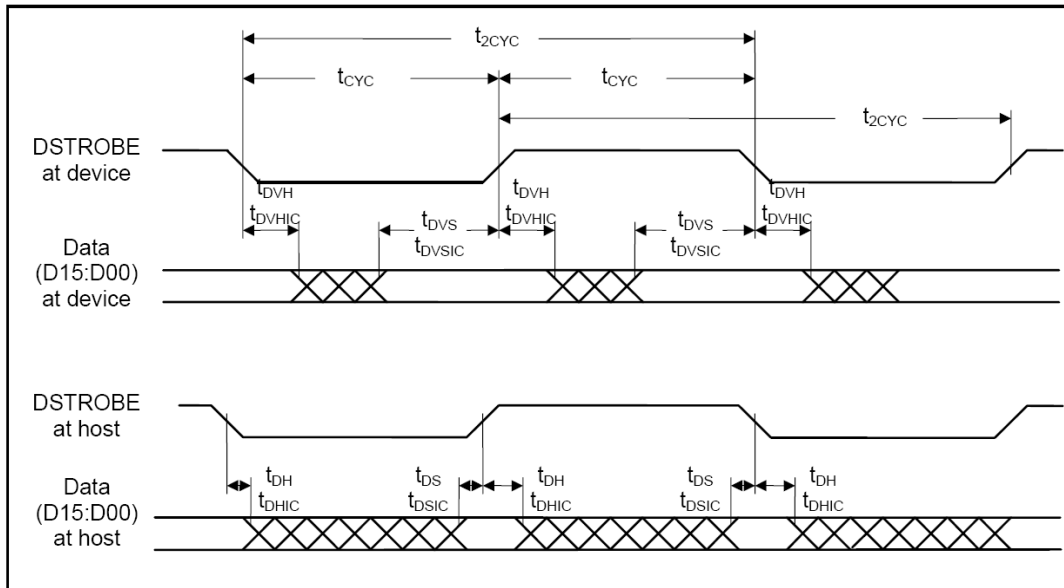
Figure 8: Ultra DMA Data-In Burst Initiation Timing

4.4.3 Sustaining an Ultra DMA data-In Burst

An Ultra DMA Data-In burst is sustained by following the steps lettered below. The timing diagram is shown in Figure 11: Sustained Ultra DMA Data-In Burst Timing. The timing parameters are specified in Table 17: Ultra DMA Data Burst Timing Requirements and are described in Table 18: Ultra DMA Data Burst Timing Descriptions.

The following steps shall occur in the order they are listed unless otherwise specifically allowed:

- a) The device shall drive a data word onto D[15:00].
- b) The device shall generate a DSTROBE edge to latch the new word no sooner than t_{DVS} after changing the state of D [15:00]. The device shall generate a DSTROBE edge no more frequently than t_{CYC} for the selected Ultra DMA mode. The device shall not generate two rising or two falling DSTROBE edges more frequently than $2t_{CYC}$ for the selected Ultra DMA mode.
- c) The device shall not change the state of D[15:00] until at least t_{DVH} after generating a DSTROBE edge to latch the data.
- d) The device shall repeat steps (a), (b), and (c) until the data transfer is complete or an Ultra DMA burst is paused, whichever occurs first.



Notes: **D[15:00]** and DSTROBE signals are shown at both the host and the device to emphasize that cable settling time as well as cable propagation delay shall not allow the data signals to be considered stable at the host until some time after they are driven by the device.

Figure 9: Sustained Ultra DMA Data-In Burst

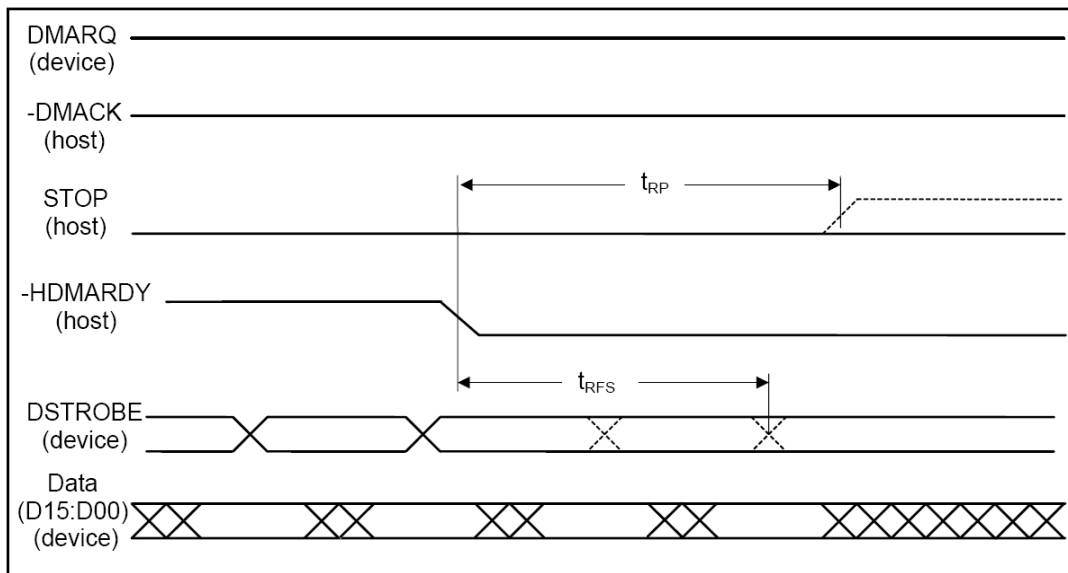
4.4.4 Host Pausing an Ultra DMA Data-In Burst

The host pauses a Data-In burst by following the steps lettered below. A timing diagram is shown in Figure 12: Ultra DMA Data-In Burst Host Pause Timing. The timing parameters are specified in Table 17: Ultra DMA Data Burst Timing Requirements and are described in Table 18: Ultra DMA Data Burst Timing Descriptions.

The following steps shall occur in the order they are listed unless otherwise specifically allowed:

- a) The host shall not pause an Ultra DMA burst until at least one data word of an Ultra DMA burst has been transferred.
- b) The host shall pause an Ultra DMA burst by negating -HDMARDY.
- c) The device shall stop generating DSTROBE edges within t_{RFS} of the host negating -HDMARDY.

- d) If the host negates -HDMARDY within t_{SR} after the device has generated a DSTROBE edge, then the host shall be prepared to receive zero or one additional data words. If the host negates -HDMARDY greater than t_{SR} after the device has generated a DSTROBE edge, then the host shall be prepared to receive zero, one or two additional data words. The additional data words are a result of cable round trip delay and t_{RFS} timing for the device.
- e) The host shall resume an Ultra DMA burst by asserting -HDMARDY.



Notice:

- 1) The host may assert STOP to request termination of the Ultra DMA burst no sooner than t_{RP} after -HDMARDY is negated.
- 2) After negating -HDMARDY, the host may receive zero, one, two, or three more data words from the device.

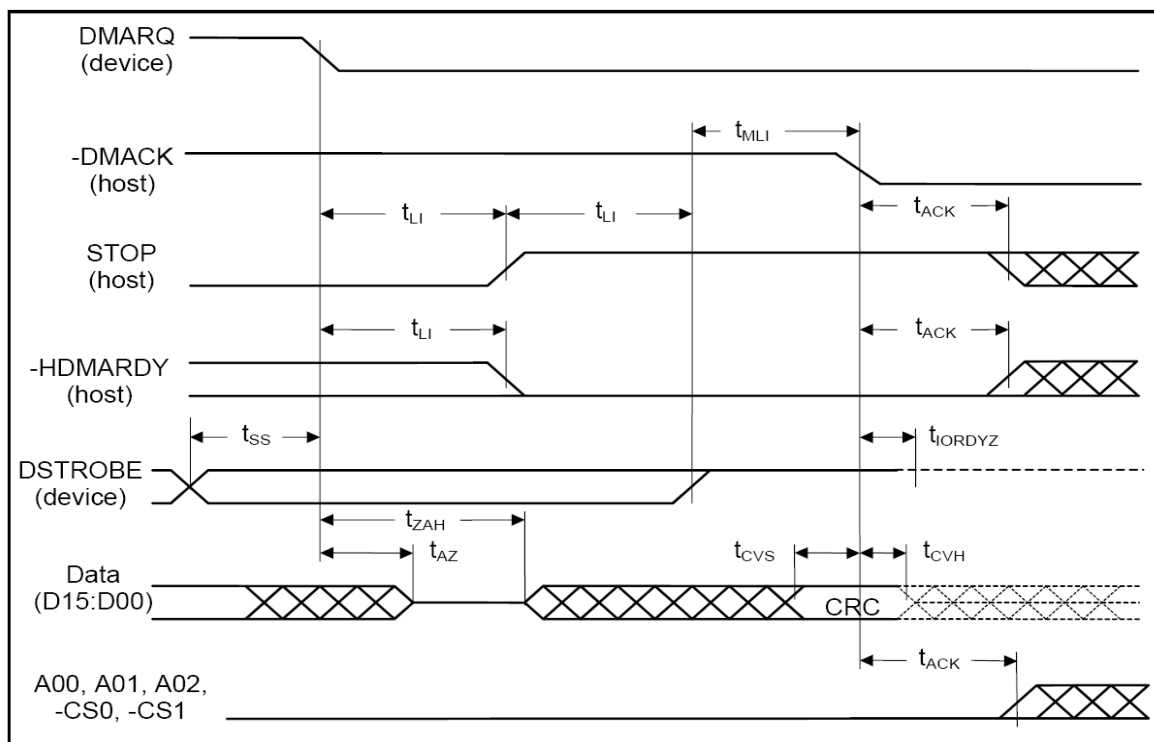
Figure 10: Ultra DMA Data-In Burst Host Pause Timing

4.4.5 Device Terminating an Ultra DMA Data-In Burst

The device terminates an Ultra DMA Data-In burst by following the steps lettered below. The timing diagram is shown in Figure 13: Ultra DMA Data-In Burst Device Termination Timing. The timing parameters are specified in Table 17: Ultra DMA Data Burst Timing Requirements and are described in Table 18: Ultra DMA Data Burst Timing Descriptions.

The following steps shall occur in the order they are listed unless otherwise specifically allowed:

- a) The device shall not pause an Ultra DMA burst until at least one data word of an Ultra DMA burst has been transferred.
- b) The device shall pause an Ultra DMA burst by not generating DSTROBE edges.
- c) NOTE - The host shall not immediately assert STOP to initiate Ultra DMA burst termination when the device stops generating STROBE edges. If the device does not negate DMARQ, in order to initiate ULTRA DMA burst termination, the host shall negate -HDMARDY and wait t_{RP} before asserting STOP.
- d) The device shall resume an Ultra DMA burst by generating a DSTROBE edge.



Notice: The definitions for the STOP, HDMARDY, and DSTROBE signal lines are no longer in effect after DMARQ and DMACK are negated.

Figure 11: Ultra DMA Data-In Burst Device Termination Timing

4.4.6 Host Terminating an Ultra DMA Data-In Burst

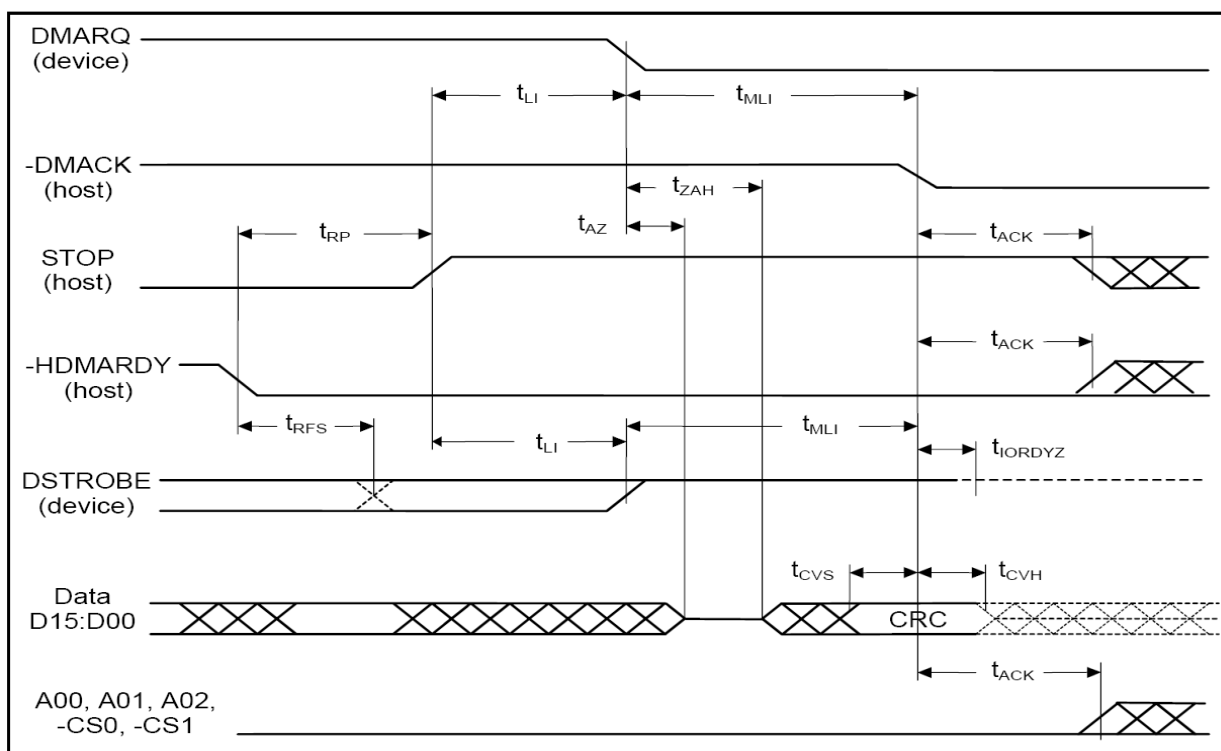
The host terminates an Ultra DMA Data-In burst by following the steps lettered below. The timing diagram is shown in Figure 14: Ultra DMA Data-In Burst Host Termination Timing. The timing parameters are specified in Table 17: Ultra DMA Data Burst Timing Requirements and are described in Table 18: Ultra DMA Data Burst Timing Descriptions.

The following steps shall occur in the order they are listed unless otherwise specifically allowed:

- a) The host shall not initiate Ultra DMA burst termination until at least one data word of an Ultra DMA burst has been transferred.
- b) The host shall initiate Ultra DMA burst termination by negating -HDMARDY. The host shall continue to negate -HDMARDY until the Ultra DMA burst is terminated.
- c) The device shall stop generating DSTROBE edges within t_{RFS} of the host negating -HDMARDY.
- d) If the host negates -HDMARDY within t_{SR} after the device has generated a DSTROBE edge, then the host shall be prepared to receive zero or one additional data words. If the host negates HDMARDY greater than t_{SR} after the device has generated a DSTROBE edge, then the host shall be prepared to receive zero, one or two additional data words. The additional data words are a result of cable round trip delay and t_{RFS} timing for the device.
- e) The host shall assert STOP no sooner than t_{RP} after negating -HDMARDY. The host shall not negate STOP again until after the Ultra DMA burst is terminated.
- f) The device shall negate DMARQ within t_{LI} after the host has asserted STOP. The device shall not assert DMARQ again until after the Ultra DMA burst is terminated.
- g) If DSTROBE is negated, the device shall assert DSTROBE within t_{LI} after the host has asserted STOP. No data

shall be transferred during this assertion. The host shall ignore this transition on DSTROBE. DSTROBE shall remain asserted until the Ultra DMA burst is terminated.

- h) The device shall release D[15:00] no later than t_{AZ} after negating DMARQ.
- i) The host shall drive DD D[15:00] no sooner than t_{ZAH} after the device has negated DMARQ. For this step, the host may first drive D[15:00] with the result of its CRC calculation.
- j) If the host has not placed the result of its CRC calculation on D[15:00] since first driving D[15:00] during (9), the host shall place the result of its CRC calculation on D[15:00].
- k) The host shall negate -DMACK no sooner than t_{MLI} after the device has asserted DSTROBE and negated DMARQ and the host has asserted STOP and negated -HDMARDY, and no sooner than t_{DVS} after the host places the result of its CRC calculation on D[15:00].
- l) The device shall latch the host's CRC data from D[15:00] on the negating edge of -DMACK.
- m) The device shall compare the CRC data received from the host with the results of its own CRC calculation. If a mis-compare error occurs during one or more Ultra DMA burst for any one command, at the end of the command, the device shall report the first error that occurred.
- n) The device shall release DSTROBE within t_{IORDYZ} after the host negates -DMACK.
- o) The host shall neither negate STOP nor assert -HDMARDY until at least t_{ACK} after the host has negated -DMACK.
- p) The host shall not assert -IORD, -CS0, -CS1, DA2, DA1, or DA0 until at least t_{ACK} after negating DMACK



Notice: The definitions for the STOP, HDMARDY, and DSTROBE signal lines are no longer in effect after DMARQ and DMACK are negated..

Figure 12: Ultra DMA Data-In Burst Host Termination Timing

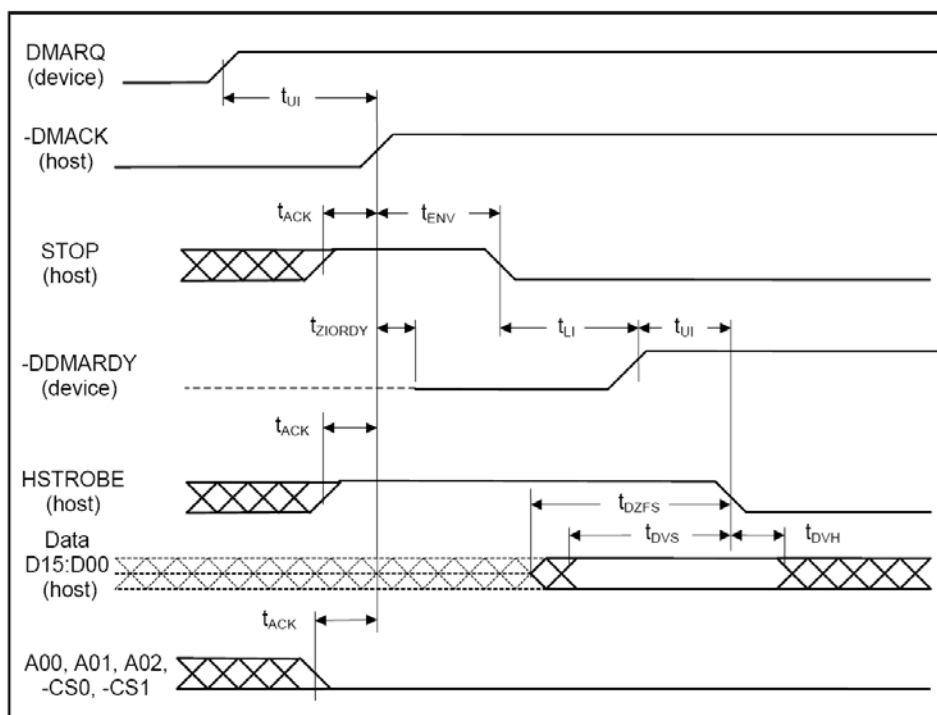
4.4.7 Initiating an Ultra DMA Data-Out Burst

An Ultra DMA Data-out burst is initiated by following the steps lettered below. The timing diagram is shown in Figure 15: Ultra DMA Data-Out Burst Initiation Timing. The timing parameters are specified in Table 17: Ultra DMA Data

Burst Timing Requirements and are described in Table 18: Ultra DMA Data Burst Timing Descriptions.

The following steps shall occur in the order they are listed unless otherwise specifically allowed:

- a) The host shall keep -DMACK in the negated state before an Ultra DMA burst is initiated.
- b) The device shall assert DMARQ to initiate an Ultra DMA burst.
- c) Steps (c), (d), and (e) may occur in any order or at the same time. The host shall assert STOP.
- d) The host shall assert HSTROBE.
- e) The host shall negate -CS0, -CS1, DA2, DA1, and DA0. The host shall keep -CS0, -CS1, DA2, DA1, and DA0 negated until after negating -DMACK at the end of the burst.
- f) Steps (c), (d), and (e) shall have occurred at least t_{ACK} before the host asserts -DMACK. The host shall keep -DMACK asserted until the end of an Ultra DMA burst.
- g) The device may negate -DDMARDY t_{ZIORDY} after the host has asserted -DMACK. Once the device has negated -DDMARDY, the device shall not release -DDMARDY until after the host has negated DMACK at the end of an Ultra DMA burst.
- h) The host shall negate STOP within t_{ENV} after asserting -DMACK. The host shall not assert STOP until after the first negation of HSTROBE.
- i) The device shall assert -DDMARDY within t_{LI} after the host has negated STOP. After asserting DMARQ and -DDMARDY the device shall not negate either signal until after the first negation of HSTROBE by the host.
- j) The host shall drive the first word of the data transfer onto D[15:00]. This step may occur any time during Ultra DMA burst initiation.
- k) To transfer the first word of data: the host shall negate HSTROBE no sooner than t_{UI} after the device has asserted -DDMARDY. The host shall negate HSTROBE no sooner than t_{DVS} after the driving the first word of data onto D [15:00].



Notice: The definitions for the STOP, DDMARDY, and HSTROBE signal lines are not in effect until DMARQ and DMACK are asserted.

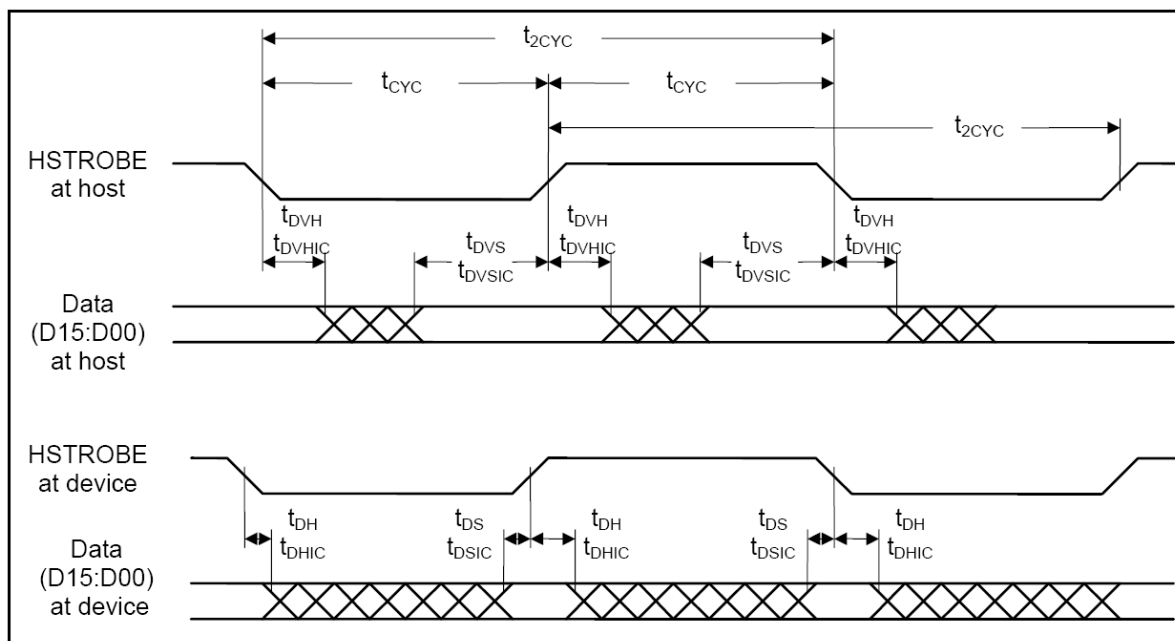
Figure 13: Ultra DMA Data-Out Burst Initiation Timing

4.4.8 Sustaining an Ultra DMA Data-Out Burst

An Ultra DMA Data-Out burst is sustained by following the steps lettered below. The timing diagram is shown in Figure 16: Sustained Ultra DMA Data-Out Burst Timing. The associated timing parameters are specified in Table 17: Ultra DMA Data Burst Timing Requirements and are described in Table 18: Ultra DMA Data Burst Timing Descriptions.

The following steps shall occur in the order they are listed unless otherwise specifically allowed:

- a) The host shall drive a data word onto D [15:00].
- b) The host shall generate an HSTROBE edge to latch the new word no sooner than t_{DVS} after changing the state of D [15:00]. The host shall generate an HSTROBE edge no more frequently than t_{CYC} for the selected Ultra DMA mode. The host shall not generate two rising or falling HSTROBE edges more frequently than $2t_{CYC}$ for the selected Ultra DMA mode.
- c) The host shall not change the state of D[15:00] until at least t_{DVH} after generating an HSTROBE edge to latch the data.
- d) The host shall repeat steps (a), (b), and (c) until the data transfer is complete or an Ultra DMA burst is paused, whichever occurs first.



Notice: Data (D15:D00) and HSTROBE signals are shown at both the device and the host to emphasize that cable settling time as well as cable propagation delay shall not allow the data signals to be considered stable at the device until some time after they are driven by the host.

Figure 14: Sustained Ultra DMA Data-Out Burst Timing

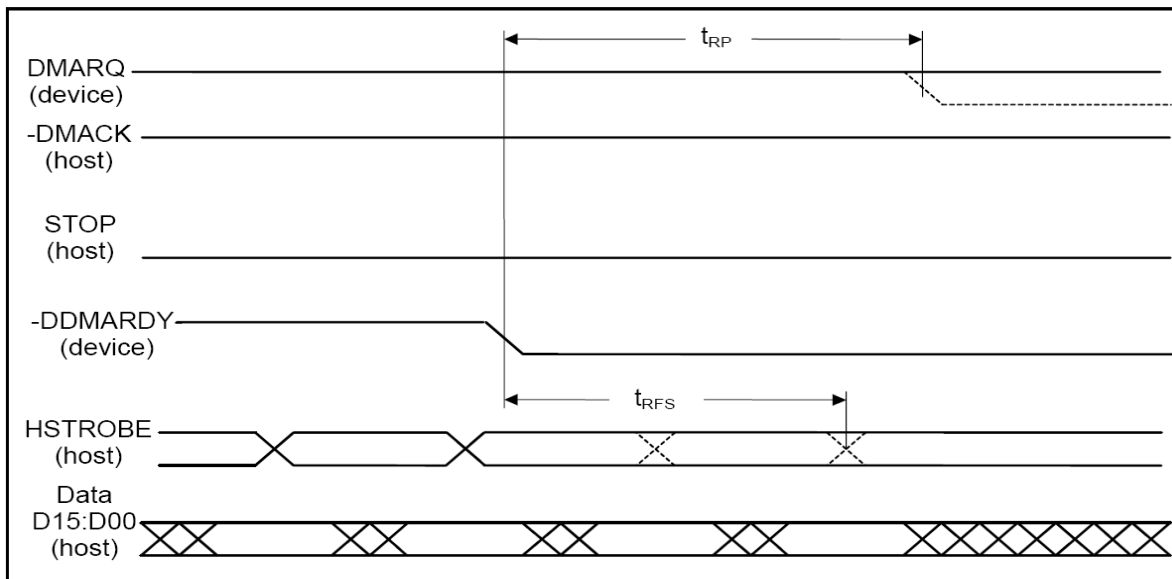
4.4.9 Device Pausing an Ultra DMA Data-Out Burst

The device pauses an Ultra DMA Data-Out burst by following the steps lettered below. The timing diagram is shown in Figure 17: Ultra DMA Data-Out Burst Device Pause Timing. The timing parameters are specified in Table 17: Ultra DMA Data Burst Timing Requirements and are described in Table 18: Ultra DMA Data Burst Timing Descriptions.

The following steps shall occur in the order they are listed unless otherwise specifically allowed:

- a) The device shall not pause an Ultra DMA burst until at least one data word of an Ultra DMA burst has been transferred.
- b) The device shall pause an Ultra DMA burst by negating -DDMARDY.
- c) The host shall stop generating HSTROBE edges within t_{RFS} of the device negating -DDMARDY.

- d) If the device negates -DDMARDY within t_{SR} after the host has generated an HSTROBE edge, then the device shall be prepared to receive zero or one additional data words. If the device negates -DDMARDY greater than t_{SR} after the host has generated an HSTROBE edge, then the device shall be prepared to receive zero, one or two additional data words. The additional data words are a result of cable round trip delay and t_{RFS} timing for the host.
- e) The device shall resume an Ultra DMA burst by asserting -DDMARDY.



Notice:

- 1) The device may negate DMARQ to request termination of the Ultra DMA burst no sooner than t_{RP} after -DDMARDY is negated.
- 2) After negating -DDMARDY, the device may receive zero, one, two, or three more data words from the host.

Figure 15: Ultra DMA Data-Out Burst Device Pause Timing

4.4.10 Device Terminating an Ultra DMA Data-Out Burst

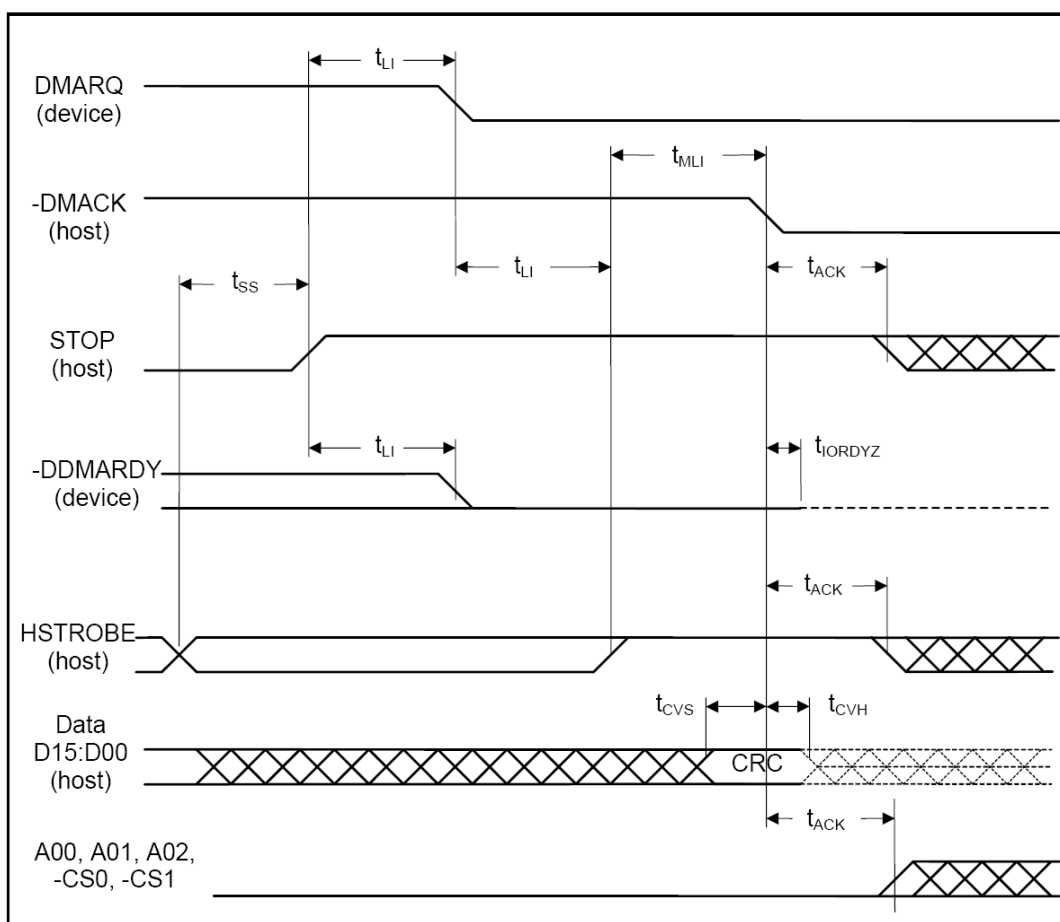
The device terminates an Ultra DMA Data-Out burst by following the steps lettered below. The timing diagram for the operation is shown in Figure 18: Ultra DMA Data-Out Burst Device Termination Timing. The timing parameters are specified in Table 17: Ultra DMA Data Burst Timing Requirements and are described in Table 18: Ultra DMA Data Burst Timing Descriptions.

The following steps shall occur in the order they are listed unless otherwise specifically allowed:

- a) The device shall not initiate Ultra DMA burst termination until at least one data word of an Ultra DMA burst has been transferred.
- b) The device shall initiate Ultra DMA burst termination by negating -DDMARDY.
- c) The host shall stop generating an HSTROBE edges within t_{RFS} of the device negating -DDMARDY.
- d) If the device negates -DDMARDY within t_{SR} after the host has generated an HSTROBE edge, then the device shall be prepared to receive zero or one additional data words. If the device negates -DDMARDY greater than t_{SR} after the host has generated an HSTROBE edge, then the device shall be prepared to receive zero, one or two additional data words. The additional data words are a result of cable round trip delay and t_{RFS} timing for the host.
- e) The device shall negate DMARQ no sooner than t_{RP} after negating -DDMARDY. The device shall not assert DMARQ again until after the Ultra DMA burst is terminated.
- f) The host shall assert STOP within t_{LI} after the device has negated DMARQ. The host shall not negate STOP

again until after the Ultra DMA burst is terminated.

- g) If HSTROBE is negated, the host shall assert HSTROBE within t_{LI} after the device has negated DMARQ. No data shall be transferred during this assertion. The device shall ignore this transition of HSTROBE. HSTROBE shall remain asserted until the Ultra DMA burst is terminated.
- h) The host shall place the result of its CRC calculation on D[15:00]
- i) The host shall negate -DMACK no sooner than t_{MLI} after the host has asserted HSTROBE and STOP and the device has negated DMARQ and -DDMARDY, and no sooner than t_{DVS} after placing the result of its CRC calculation on D[15:00].
- j) The device shall latch the host's CRC data from D[15:00] on the negating edge of -DMACK.
- k) The device shall compare the CRC data received from the host with the results of its own CRC calculation. If a mis-compare error occurs during one or more Ultra DMA bursts for any one command,



Notice: The definitions for the STOP, DDMARDY, and HSTROBE signal lines are no longer in effect after DMARQ and DMACK are negated.

Figure 16: Ultra DMA Data-Out Burst Device Termination Timing

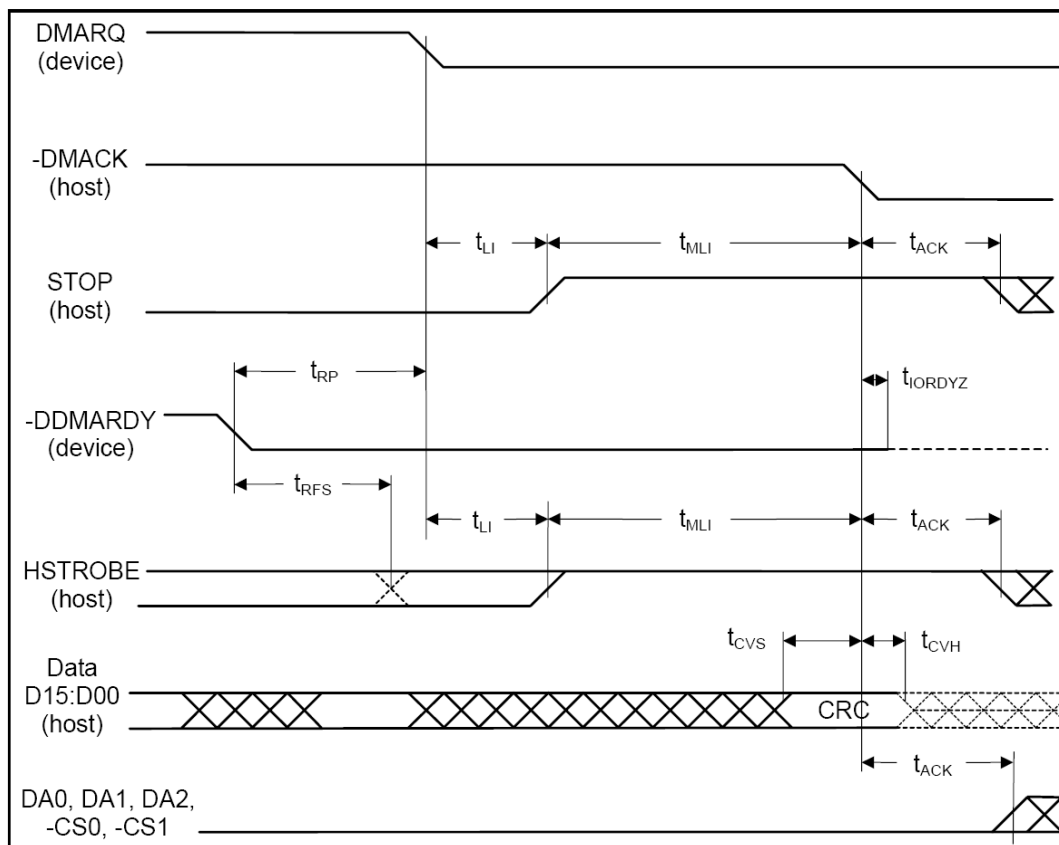
4.4.11 Host Terminating an Ultra DMA Data-Out Burst

Termination of an Ultra DMA Data-Out burst by the host is shown in Figure 19: Ultra DMA Data-Out Burst Host Termination Timing while timing parameters are specified in Table 17: Ultra DMA Data Burst Timing Requirements and timing parameters are described in Table 18: Ultra DMA Data Burst Timing Descriptions.

The following steps shall occur in the order they are listed unless otherwise specifically allowed:

- a) The host shall initiate termination of an Ultra DMA burst by not generating HSTROBE edges.

- b) The host shall assert STOP no sooner than t_{SS} after it last generated an HSTROBE edge. The host shall not negate STOP again until after the Ultra DMA burst is terminated.
- c) The device shall negate DMARQ within t_{LI} after the host asserts STOP. The device shall not assert DMARQ again until after the Ultra DMA burst is terminated.
- d) The device shall negate -DDMARDY within t_{LI} after the host has negated STOP. The device shall not assert -DDMARDY again until after the Ultra DMA burst termination is complete.
- e) If HSTROBE is negated, the host shall assert HSTROBE within t_{LI} after the device has negated DMARQ. No data shall be transferred during this assertion. The device shall ignore this transition on HSTROBE. HSTROBE shall remain asserted until the Ultra DMA burst is terminated.
- f) The host shall place the result of its CRC calculation on D[15:00].
- g) The host shall negate -DMACK no sooner than t_{MLI} after the host has asserted HSTROBE and STOP and the device has negated DMARQ and -DDMARDY, and no sooner than t_{DVS} after placing the result of its CRC calculation on D[15:00].
- h) The device shall latch the host's CRC data from D[15:00] on the negating edge of -DMACK.
- i) The device shall compare the CRC data received from the host with the results of its own CRC calculation. If a mis-compare error occurs during one or more Ultra DMA bursts for any one command, at the end of the command, the device shall report the first error that occurred.
- j) The device shall release -DDMARDY within t_{IORDYZ} after the host has negated -DMACK.
- k) The host shall neither negate STOP nor negate HSTROBE until at least t_{ACK} after negating -DMACK.
- l) The host shall not assert -IOWR, -CS0, -CS1, DA2, DA1, or DA0 until at least t_{ACK} after negating -DMACK.



Notice: The definitions for the STOP, DDMARDY, and HSTROBE signal lines are no longer in effect after DMARQ and DMACK are negated.

Figure 17: Ultra DMA Data-Out Burst Host Termination Timing

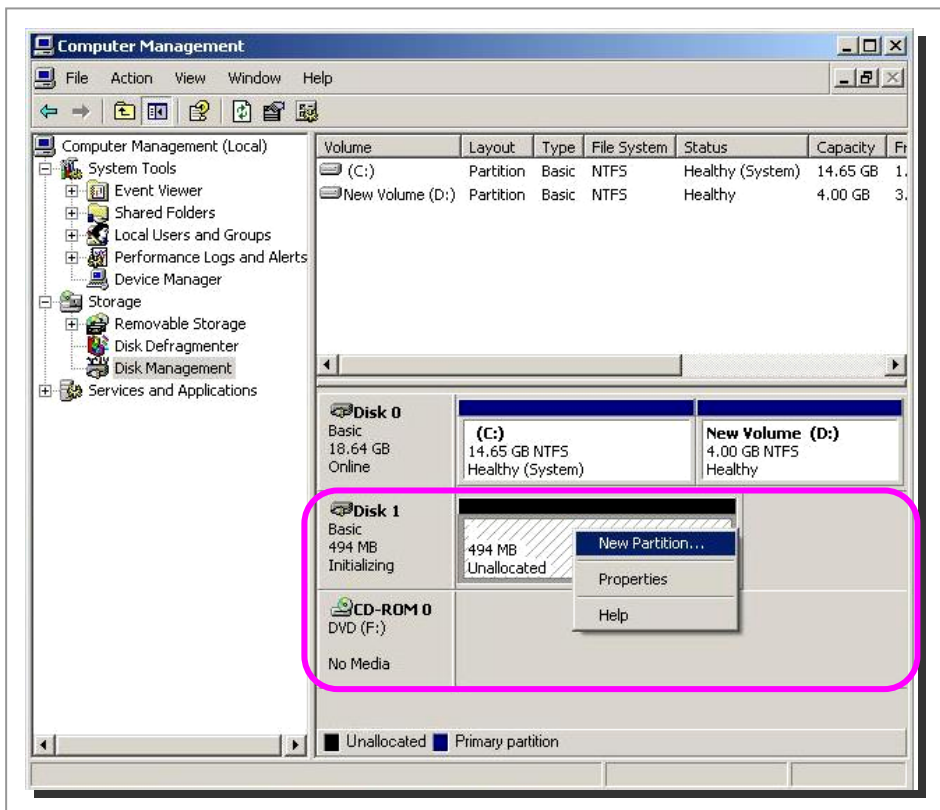
5. Installation

5.1 Installation

- For Installation of DiskOnModule to your system, please follow up below steps;
 1. Make sure your computer is turned off before you open the case.
 2. Plug the DiskOnModule carefully into the IDE slot on your computer or host adapter.
 3. Connect the power cable of the DiskOnModule.
 4. Check cable connections and DiskOnModule is firm enough.

5.2 Partition

- For DOS Operating System :
 1. Get into your windows system. You can Click the 『 Start 』 → 『 Control Panel 』 → 『 Administrative Tools 』 → 『 Computer Management 』 then select 『 Storage 』 → 『 Disk Manager 』 to setup the partition.



5.3 Format

- For DOS Operating System :
 - Before you format or partition your new DiskOnModule, you must configure your computer's BIOS so that the computer can recognize your new DiskOnModule.
 - 1. Turn your computer on. As your computer start up, watch the screen for a message describing how to run the system setup program (sometimes called BIOS or CMOS setup). This is usually done by pressing a special key, such as DELETE, ESC, or F1, during startup. See your computer manual for details. Press the appropriate key to run the system setup program.
 - 2. If your BIOS provides automatic drive detection (an "AUTO" drive type), select this option. (If you use Normal/CHS mode to partition your DOM, you can get the maximum formatted capacity.)

This allows your computer to configure itself automatically for your new DiskOnModule.

If your BIOS does not provide automatic drive detection, select "User-defined" drive setting and enter the CHS values from the table.

BIOS Settings (see specification)

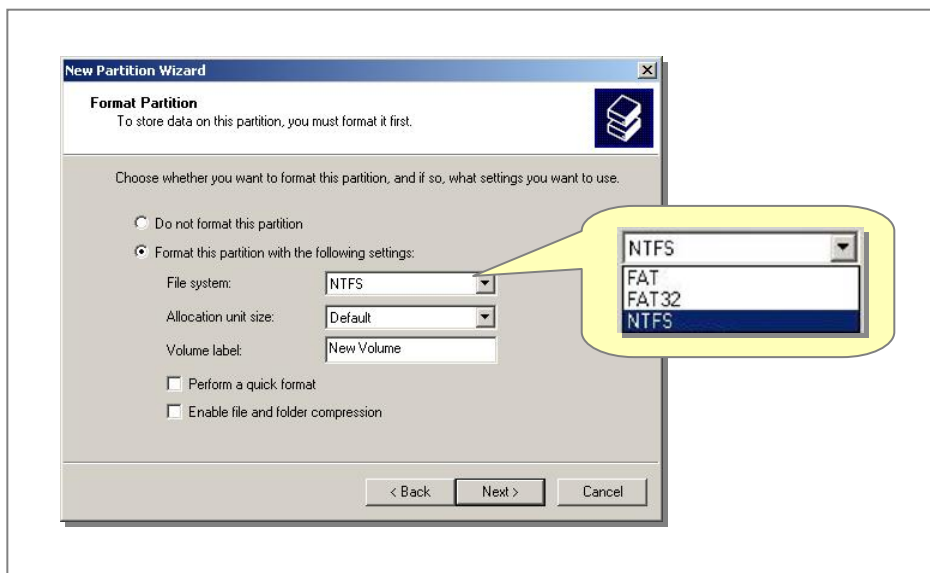
Capacity Cylinders Heads Sectors (unformatted)

3. Save the settings and exit the System Setup program.
(Your computer will be automatically rebooted.)

9. For Windows Operating System :

- To partition your new DOM, for example use Microsoft WindowsXP and WindowsXP embedded system :

1. Click the 『 Start 』 → 『 Control Panel 』 → 『 Administrative Tools 』 → 『 Computer Management 』 then select 『 Storage 』 → 『 Disk Manager 』 to setup the file format.
2. Select "FAT or NTFS" format for user.



6. Troubleshooting

6.1 BIOS can not identify DiskOnModule

- a. Check Power Cable Status
- b. Check Connector status
- c. Check the Power Voltage (5V or 3.3V)

6.2 DOM can not boot the system

- a. Check BIOS setting
- b. Reinstall your system

Notice: Please contact your closest CSS office for verifying your other troubles.

7. Ordering Information

| | | | | | | | |
|--------|-------|------|-------|---------|-------------|-------|--------|
| HAV40 | - | 128M | R | 01 | 0 | 0 | 00 |
| | | | | | | | |
| Series | Range | Size | Green | Outline | Alternative | Level | Option |

Table 21: HAV40 Ordering Information

| Code | Definition | Description |
|-------|-------------------|--|
| HAV40 | Series name | Product Series name, fixed |
| - | Temperature range | “-”: Industrial, “W”: Wide temperature |
| 128M | Memory size | 128M: 128MB, 256M: 256MB, 512M: 512MB, 001G: 1GB, 002G: 2GB, 004G: 4GB, 008G: 8GB, 016G: 16GB |
| R | Green level | “R”: RoHS/PFOS |
| 01 | Device outline | First digit shows pin count and connector type. Second digit defines performance and switch options. Please see the data sheet or contact CSS for details. |
| 0 | Alternative | Reserved |
| 0 | Level | Reserved |
| 00 | Option | Option for customization |

Notice: The model with memory size in 16GB is without cover.

8. Contact Information

CoreSolid Storage Corporation, a TDK-PQI storage business company, specializes in the design and marketing of SSD, DOM, and Industry CF products.

For further information, please reach us at the following contact information:

Global

- Tel: +886-2-66206168
- Sales: sales@coresolid-storage.com
- Customer Service: support@coresolid-storage.com

US specific

- Tel: +1-408-7257180
- Sales: sales@coresolid-storage.com
- Customer Service: support.us@coresolid-storage.com

China specific

- Tel: +86-10-82701610
- Sales: sales@coresolid-storage.com
- Customer Service: support.cn@coresolid-storage.com

Europe specific

- Tel: +886-2-66206168
- Sales: sales@coresolid-storage.com
- Customer Service: support.eu@coresolid-storage.com

Japan specific

- Tel: +81-47-3789423
- Sales: sales@coresolid-storage.com
- Customer Service: support.jp@coresolid-storage.com