



8.4" NEMA 4 (IP65) VESA / RAM Mount LCD Display



This SVGA resolution low-profile 8.4" flat panel display is a NEMA 4 (IP65) rated LCD display design to be placed in a variety of industrial and process control environments requiring protection from the intrusion of dust and/or splashing water. These displays are auto sync compatible with various VESA video standards and satisfy a wide variety of industrial control and man-machine interface applications. Designed with an all aluminum, black powder-coated, rugged, gasket sealed, machined enclosure.

SPECIFICATIONS

Display Size	8.4 Inch
Panel Type	TFT Active
Native Resolution	SVGA
Native Pixel Format	800 x 600
Pixel Pitch	.264mm
Active Display Area	6.78" w x 5.16" h (172.2mm x 131.1mm)
Viewing Angle	Left / Right: 80°/80° Degrees Up / Down: 80°/60° Degrees
Contrast Ratio	600:1 Typical
Brightness	650 Nits Typical (optional 1500 Nits)
Colors	16.77M
Response Time	18ms
Input Connector	DVI-D, ANALOG VGA (DB-15), COMPOSITE (BNC), FOUR PIN MINI DIN (S-VIDEO) Optional: HD15 to 5BNC Interface Cable
Video Input	Analog 0.7V p-p
Sync	Separate H&V, Combined, SOG
Power Source	12VDC Optional: 90-264VAC, Universal 24VDC or 9-36VDC
Power Consumption	14 Watts
Temperature	Operating: 0° to 50°C (Optional Operating: -20 to 60°C), Storage: -20 to 60°C
Humidity	Operating: 10 to 95%NC, Storage: 10 to 95%NC
Altitude	Operating: up to 10,000 ft, Storage: up to 40,000 ft
Dimensions	9.15" (w) x 7.5" (h) x 2.25" (d), 234.4mm x 190.5mm x 57.2mm
Enclosure Finish	Black Powder Coat Aluminum Enclosure
Touchscreen	Optional: Resistive or Capacitive
Weight	4.0 lbs.

FEATURES

- ◆ NEMA 4 (IP65) Protection at the Gasket-Sealed Front Panel
- ◆ Bright Active Matrix TFT Display
- ◆ HD15(F), RCA (NTSC/PAL), 5 Pin Mini Din (S-Video)
- ◆ 650 nits Brightness
- ◆ Wide Viewing Angles
- ◆ SVGA (800 x 600) Resolution
- ◆ AC or DC power options available
- ◆ Optional Touch Systems: Resistive and Capacitive
- ◆ Optional VBOND Optical Bonding for extreme contrast enhancement allowing sunlight readability

Marks of Conformity:

FCC47 CFR part 15, subpart B
EMC: EN 55022:2006, EN 55024:1998, CISPR 22:2005, CISPR 24:1997
Canada: ICES-003
Australia/New Zealand: AS/NZS CISPR 22
CE
RoHS
WEEE



*Supports all VESA standard video formats

CONTACT

HEADQUARTERS

11529 Sun Belt Ct.
Baton Rouge, Louisiana 70809

Phone 800.223.8050

International

001.225.298.0300

Fax 225.297.2440

E-mail

sales@vartechsystems.com

Website

www.vartechsystems.com

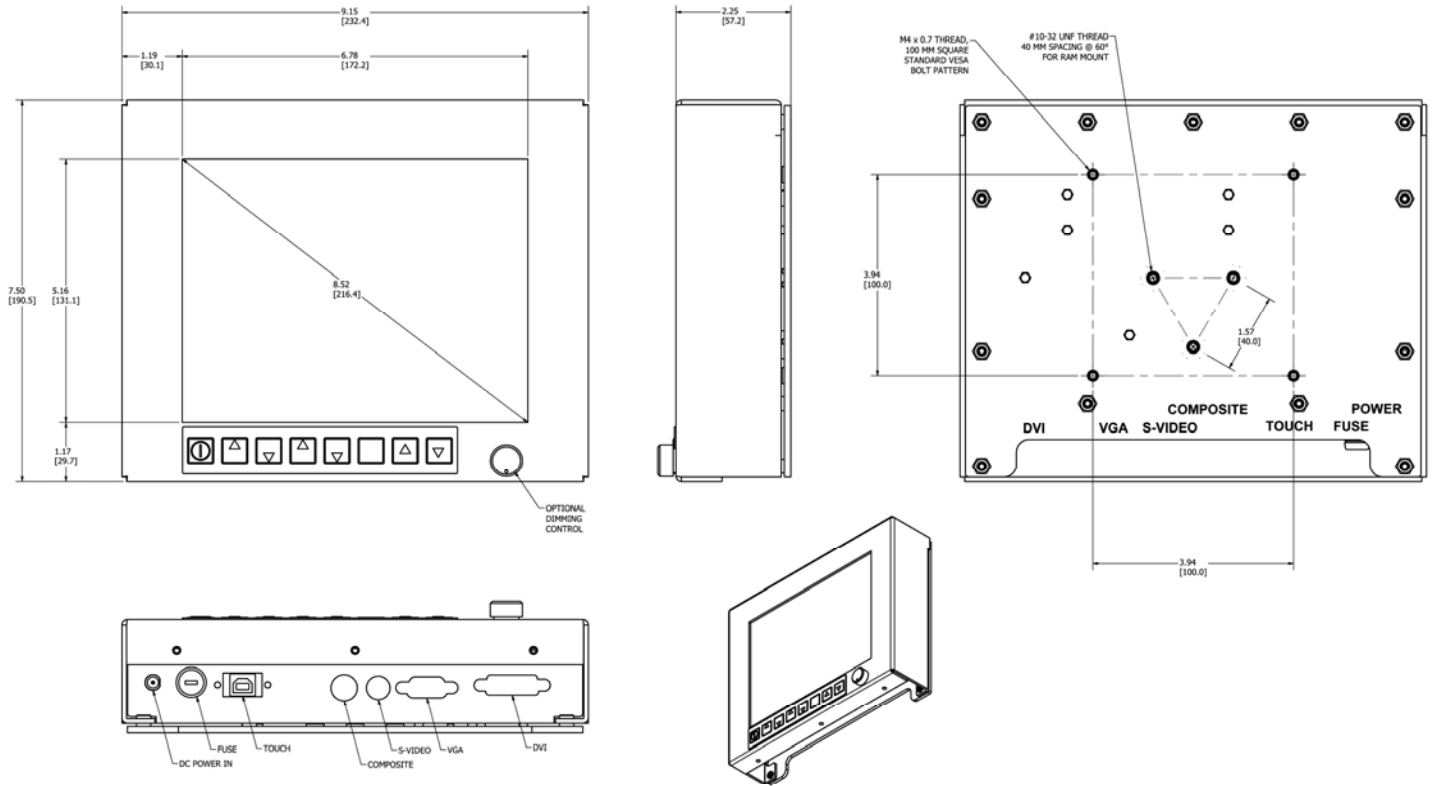
OPTIONS

- 90-264 VAC Universal Power Supply
- 24VDC or 9-36VDC
- HD15 to 5BNC Interface Cable
- Resistive or Capacitive Touch
- Optical Bonding (VBOND) for added Shock & Vibration protection and/or reduced solar reflectivity
- Armor Touch (must be optically bonded)
- High Brightness 1500 nits (cd/m2)
- -20°C Operational Temp
- Private Label for OEM/VAR Applications

Mechanical Drawing

NOTES:

1. VT084W2 & VT084WHB2 ENCLOSURE & REAR COVER ARE POWDERCOATED ALUMINUM



DRAWN	Checked	9/20/2010	VARTECH SYSTEMS	
SA				
VT084W2	APPROVED		TITLE OUTLINE DRAWING- VT084W2, VT084WHB2	
USED ON			SIZE TOLERANCES DWG NO D 20 + .011 601-0367-001	REV R0
APPLICATION			SCALE 1:1	SHEET 1 of 1

UNITRONIX Pty Ltd

PO Box 486, Morisset NSW 2264

NSW: Tel: 61 2 4977 3511 Fax: 61 2 4977 3522

WA: Tel: 61 8 9455 2424 Fax: 61 8 9455 2458

unitsyd@unitronix.com.au www.unitronix.com.au