



55" Optically Bonded Sunlight Readable 1080p Large Screen Rugged Display



A stunning large scale Full-HD Sunlight Readable Industrial-grade display designed for demanding applications. This 55" flat panel VBOND display is designed to be placed in a variety of public information, industrial and process control environments requiring a large VESA mount sunlight viewable LCD that supports resolutions from VGA to 1080p High Definition. The display is auto sync compatible with most PC's video standards, and can be integrated into a wide variety of industrial control, man-machine interface, or Public Information applications. This system features true color experience with customized Gamma settings, excellent dynamic motion enhancement with fast refresh rate and flexible bezel design. This model comes with Optical Bonding (VBOND) for added Shock & Vibration protection and/or reduced solar reflectivity.

SPECIFICATIONS

Display Size

55.0"

Panel Type

TFT Active Matrix

VBOND

Optical Bonding for added Shock & Vibration protection and/or reduced solar reflectivity

Native Resolution

1920 x 1080 (16:9)

Active Display Area

1214.6 mm (w) x 685.4 mm (h)

Viewing Angle

H: 176° / V: 176°

Contrast Ratio

4000:1

Brightness

500 nits (cd/m²)

Response Time

4.5 ms

Colors

1G

Display Frame Rate

120 Hz

Horizontal / Vertical Frequency

30 ~ 90 KHz / 56 ~ 75 Hz

Connector

HDMI 1.3c x 4 / Component x 2 / Video x 2 / S-video / VGA / S-PDIF / RS232 / External speaker out

Video Support

480i / 480p / 720p / 1080i / 1080p

RGB Support

VGA / XGA / SVGA / SXGA / WXGA / UXGA / WSXGA / WUXA

Communication Port (Transport Protocol)

D-Sub 9 Pin In, RJ45 In/Out (RS232C In, RS-485 In/Out)

Dimensions w/o Stand (WxHxD)

1310.6 x 781.4 x 141 mm / 51.60" x 30.76" x 5.55"

Weight

Net: 50 kg / 110.23 lb; Gross: 60 kg / 132.28 lb

Wall Mount

200 mm x 400 mm / 400 mm x 600 mm VESA

OSD Control Function

RS232C, IR Remote Controller

OSD Language Function

English, Chinese

Multimedia Function

PIP, PBP, Zoom

Source Auto Detect Function

Yes

Power Supply

AC 100V ~ 240V (50/60 Hz)

Power Consumption (normal operation)

300W

Temperature

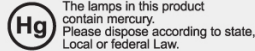
Operating: 0°C - 40°C, 85% RH / Storage: -20°C - 60°C, 85% RH

OPTIONS

- Tempered Glass Protective Surface
- 4Ω 10W X 2 Sets Speakers
- 200 mm / 400 mm Stand (pair)
- Extended Operational Temperature -20°C
- Private Label for OEM/VAR Applications

FEATURES

- ◆ Sunlight Readable
VBOND enhanced LCD screen
- ◆ Superior Resolution
Full-HD 1080p (1920 x 1080)
- ◆ Ultra-Wide Viewing Angle
176 degree viewing angle
- ◆ True Color Experience
10 bit color level, supported 1G colors
72% NTSC high color saturation
- ◆ Dynamic Motion Enhancement
120 Hz frame rate, 4.5 ms LCD response time
- ◆ Advanced Connectivity
HDMI 1.3c x 4 Inputs with HDCP S-PDIF digital audio output RS232 communication port
- ◆ Image Noise Reduction Technology
Dynamic noise reduction, MPEG noise reduction
- ◆ Customized Image Calibration
Supports customized color calibration
- ◆ Integrated with advanced technology to aid in preventing image retention



CONTACT

HEADQUARTERS

11529 Sun Belt Ct.
Baton Rouge, Louisiana 70809

Phone 800.223.8050

International

001.225.298.0300

Fax 225.297.2440

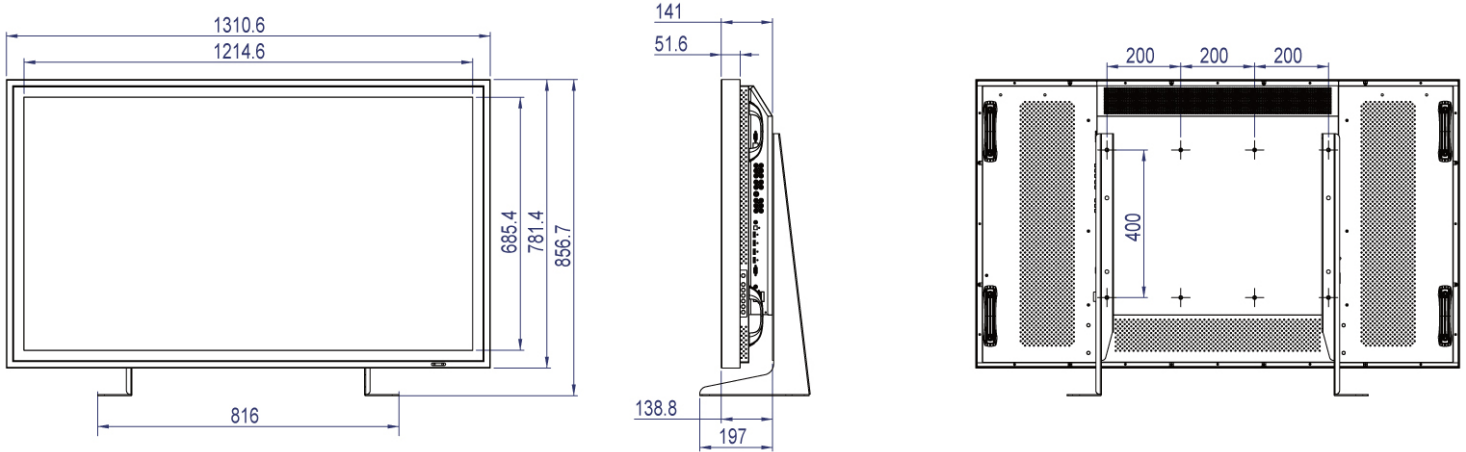
E-mail

sales@vartechsystems.com

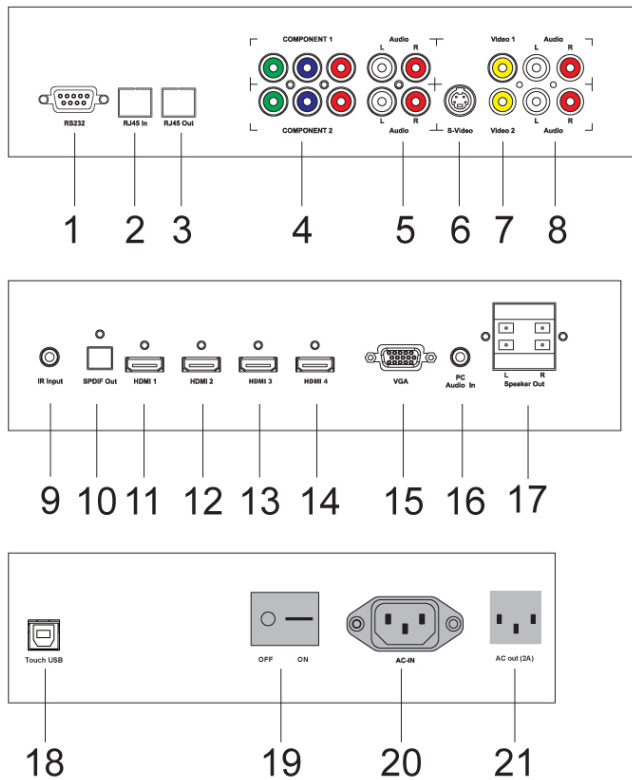
Website

www.vartechsystems.com

Mechanical Drawing



Interface



1. RS232
2. RJ45 In
3. RJ45 Out
4. Component
5. Audio
6. S-Video
7. Video
8. Audio
9. IR Input
10. S-PDIF Out
11. HDMI 1 Connector
12. HDMI 2 Connector
13. HDMI 3 Connector
14. HDMI 4 Connector
15. VGA
16. PC Audio In
17. Speaker Out
18. Touch USB (option)
19. Power Switch
20. AC-IN Connector
21. AC-out (2A) (option)

UNITRONIX Pty Ltd
 PO Box 486, Morisset NSW 2264
 NSW: Tel: 61 2 4977 3511 Fax: 61 2 4977 3522
 WA: Tel: 61 8 9455 2424 Fax: 61 8 9455 2458
 unitsyd@unitronix.com.au www.unitronix.com.au

- Optical specifications without glass.
- Weight and dimensions are approximate. Specifications and design are subject to change without notice. This product may be subject to export control regulations.