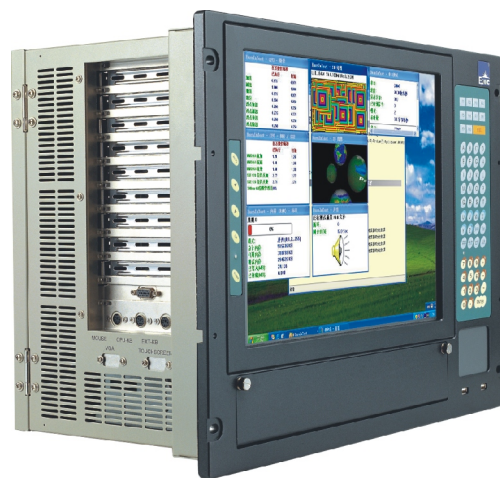


EWS-844V

15" LCD 8U 10-slot Rack mount Workstation



Features

- 15" TFT LCD, with resolution up to 1024 x 768
- Supports 10-slot industrial backplane and 8U rackmount chassis
- Supports built-in touchpad and multifunction membrane keyboard
- Provides drive bays for 1 x 5.25" CD-ROM, 2 x HDD and 1 x FDD
- 2 x USB on the front panel

Specifications

Display Screen

LCD Size	15" TFT LCD
Input Interface	VGA interface
Resolution	1024 x 768
Brightness	350cd/m ²
Contrast Ratio	700:1
Support Color	16.2M colors(RGB 8-bit)
Touch Screen	Optional

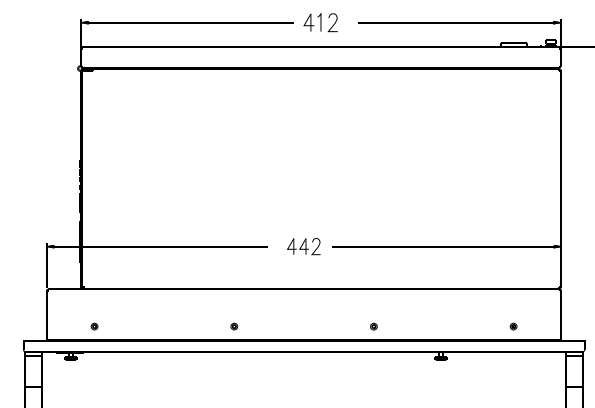
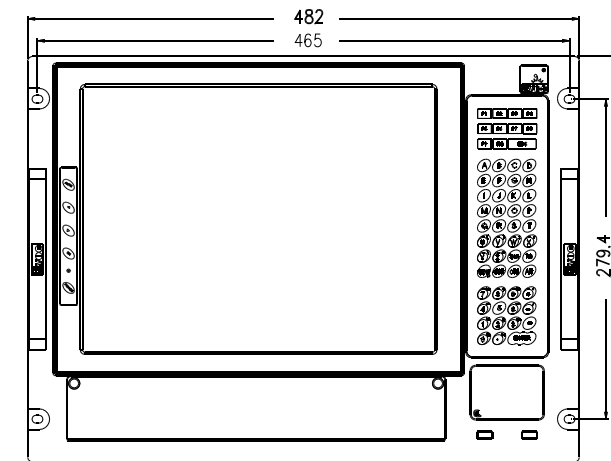
Chassis

Structure	High quality steel plate, black protective coatings on the surface
Backplane	IPC-6110P4(standard configuration), with 4 x ISA slot, 4 x PCI slot, 2 x PICMG1.0 slot
Motherboard	Supports PICMG1.0 all series CPU cards
Drive Bays	Provides 1 x 5.25" CD-ROM driver, 2 x 3.5" HDD and 1 x 3.5" FDD
Fan	1 x air intake fan on the right side of chassis, 1 x air outtake fan on the power supply
Membrane Keyboard	Provides 10 x function key, 48-key membrane keyboard
Indicators	Power LED, hard disk LED

Mechanical and Environmental

Dimensions	482.00mm(W) x 354.00mm(H) x 262.00mm(D)
Net Weight	20kg
Reliability	MTBF≥30000h; MTTR≤0.5h
Safety	EN 60950/IEC 60950
Operating Temperature	-5°C~50°C
Storage Temperature	-40°C~60°C
Operating Humidity	5%-95%, non-condensing
Power	
Power Supply	PS-7271B (standard configuration)
Power Feature	Built-in PS-7271B 250W ATX power supply with PFC
Test	
Vibration	5-17Hz/1.0mm amplitude, 17-200Hz/1.0g acceleration
Shock	10g peak acceleration(11ms duration)
EMC/EMI	GB9254-1998 class A

Dimensions



Available Accessories

Part Number	Name	Description	Qty.
2360-003671	AC power cable/RoHS	Length: 1500mm/USA standard/821	1
2372-003201	Rubber spring pad/RoHS	Φ 15x30.5/notched	6
2372-003731	Rubber spring pad/RoHS	Φ 15x17.1mm/notched/please refer to the drawings for details	4
1393-000271	Handle/RoHS	ZL102/with EVOC/length: 158mm/silver coating	2
2391-001160	Screw	Hex head #6-32x1/4/MHW#6-32x1/4-NI	12
2391-001400	Screw	Truss head M4x12/MPW4x12-NI/GB-9074.1-88	4
2391-000650	Screw	Truss head M3x5/MPW3x5-NI/GB9074.1-88	6
2360-002010	VGA cable	DB15 VGA right-angle connector to two ports male connector, length: 300mm/844E-CH	1
2360-010360	Converter cable	Two ports PS/2 connector (male), length: 250mm/EWS-844E	2
2401-000200	Accessories box	370x155x40/250g+w9	1

Ordering Information

Part Number	Model Number	Description
0020-009820	EWS-844V/7270B/ATX/6110P4	Workstation: PS-7270B ATX/IPC-6110P4/EWS-844V
0020-009711	EWS-844V/no power supply/no backplane	Workstation (empty)/RoHS: no power supply/no backplane/EWS-844V