

IPC-810B

19" 4U 14-slot Chassis



Specifications

- Chassis:** High-quality steel chassis, high temperature protective coatings
- Front Panel:** High-strength front panel, door panel with lock protection
- Drive Bay:** Anti-vibration drive bay, supports 3 x 5.25" bay (3 x 3.5" HDD can be installed through a convertor bracket); 1 x 3.5" FDD bay, 1 x 3.5" HDD bay
- Backplane:** Standard 14-slot industrial backplane, ATX motherboard (optional)
- I/O Interface:** 2 x USB, PS/2 keyboard/mouse interface
- Power Supply:** Industrial AT/ATX power supply with PFC
- Dimensions:** 482mm (W) x 177mm (H) x 450mm (D)
- Storage Temperature:** -40°C~60°C
- Operating Humidity:** 5%~90%, non-condensing

Features

- Heavy-duty steel chassis, beautiful and generous appearance
- Compatible with the structure of dual binding strip for military products, effectively fastening the motherboard
- Lockable door delivers protection against extreme conditions and unauthorized access

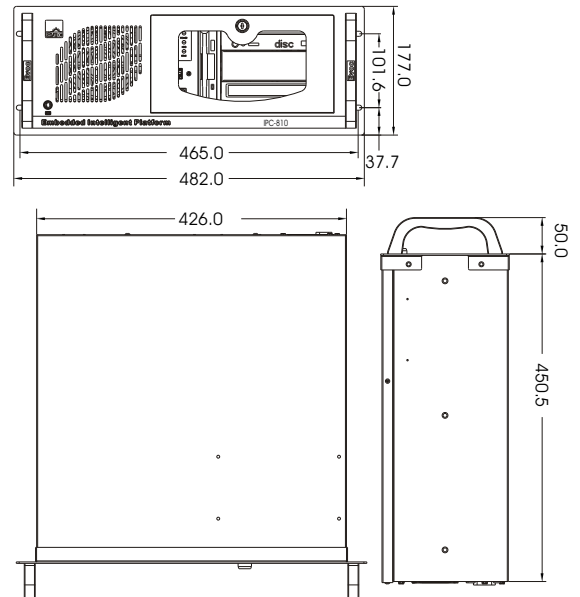
Available Accessories

- One IPC-810B chassis
- One User Manual
- One box of accessories

Ordering Information

| Part Number | Model Number | Description |
|-------------|--|------------------------|
| 0020-038340 | IPC-810B/FSP-350ATX/EPI-6113LP4 | Chassis/branch company |
| 0020-003361 | IPC-810B/7270B/6114P4A-E | Chassis/RoHS |
| 0020-003511 | IPC-810B/7270B/ATX/6113LP4-E | Chassis/RoHS |
| 0020-003401 | IPC-810B/7271B (AT)/6113LP4-E (with slide rail) | Chassis/RoHS |
| 0020-003341 | IPC-810B/7271B (AT)/6114P12-E | Chassis/RoHS |
| 0020-003321 | IPC-810B/7271B (AT)/6114P4A-E | Chassis/RoHS |
| 0020-003331 | IPC-810B/7271B (AT)/6114P7-E | Chassis/RoHS |
| 0020-003351 | IPC-810B/no power supply/6114P4A-E with dual slide rails/dual binding strips | Chassis/RoHS |
| 0020-037470 | IPC-810B/7270/6110E5/neutral packing | Chassis/branch company |
| 0020-005580 | IPC-810B/7270/6114P7/neutral packing | Chassis/branch company |
| 0020-037790 | IPC-810B/7270B ATX/6113LP4-E/neutral packing | Chassis/branch company |
| 0020-003391 | IPC-810B/no power supply/no backplane (dual binding strips with slide rail) | Empty chassis/RoHS |
| 0020-007801 | IPC-810B/no power supply/no backplane/dual binding strips/with slide rail/ATX/new bubble | Empty chassis/RoHS |
| 0020-003641 | IPC-810B/no power supply/no backplane/dual binding strips/with slide rail/ATX | Empty chassis/RoHS |

Dimensions



1

Full-Size/Half-Size Slot CPU Cards

2

SBC/Motherboard/Modules

3

Embedded Box PC

4

Network Application Computers

5

Industrial PC

6

HMI

7

EVOG Rugged Series

8

MCC Series

9

Chassis

10

Data Acquisition Boards & Modules

11

Accessories