

IPC-8424

4U 19" COM-Express Fanless Complete PC



Features

- Stylish fanless chassis, rack mountable
- Low power consumption CPU
- COM-Express structure, CPU board upgradable
- Standard ATX backplane

Specifications

System	
Processor	IPC-8424-01: Intel® Celeron®-M / Pentium®M 1.8G CPU IPC-8424-02: AMD S1 socket Mobile AMD Sempron CPU IPC-8424-03: Supports Intel Core™ 2 Duo U7500 CPU
Chipset	IPC-8424-01: Intel® 910GML / 915GM + ICH6M IPC-8424-02: AMD M690E+SB600 IPC-8424-03: Intel® GM965+ICH8M-E
Memory	IPC-8424-01: 1 x SO-DIMM 200 Pin DDRII 400MHz(910GML) / 533MHz (915GM), Memory up to 1GB IPC-8424-02: 1 x SO-DIMM 200 Pin DDRII 400 MHz, Memory up to 1GB IPC-8424-03: 1 x SO-DIMM 200 Pin DDRII 533 /667MHz, Memory up to 2GB
Watchdog Timer	1~255 sec./min. timer system reset or interrupt, set up by software
Expansion Interface	IPC-8424-01: 2 x ISA bus 4 x PCI bus IPC-8424-02: 1 x ISA bus 1 x PCI bus IPC-8424-03: 1 x PCI-Express x16, 2 x PCI-Express x1 bus 4 x PCI bus 2 x 220-pin COM-Express connector
Storage	IPC-8424-01: 1 x ATA 33/66/100 IDE, CompactFlash card Type I/II (When CF is occupied, only one IDE device is available) IPC-8424-02: 1 x ATA 33/66/100 IDE IPC-8424-03: N/A
Display	IPC-8424-01: Integrated Intel 910GML / 915GM graphic controller, supports VGA / LVDS, VGA+LVDS dual display IPC-8424-02: Integrated AMD M690E graphic controller, supports VGA / dual channel LVDS, VGA+LVDS dual display IPC-8424-03: Integrated Mobile Intel® Graphics Media Accelerator X3100 graphic controller, supports LVDS, LVDS and VGA dual display, and TV-out
Power	
Power Supply	ATX 250W power supply
Power Consumption	N/A
Test	
Vibration	5-19Hz/1.2mm; 19-200Hz/1.2g
Shock	15g, 11ms
EMC/EMI	GB/T 17618-1998 / GB9254-1998
Certification	CE, RoHS

Ethernet	
Chipset	IPC-8424-01: Intel82562ET IPC-8424-02: RTL8139DL IPC-8424-03: RTL8111C GbE (PCI-E 1x), Intel 82566MC GbE (PCI-E x1)
Speed	IPC-8424-01: 10/100Mbps, WOL function IPC-8424-02: 10/100Mbps, WOL function IPC-8424-03: 10/100/1000Mbps
Connector	IPC-8424-01: 1 x RJ45 IPC-8424-02: 1 x RJ45 IPC-8424-03: 2 x RJ45
I/O Interface	
USB	IPC-8424-01: 4 x USB 2.0 IPC-8424-02: 4 x USB 2.0 IPC-8424-03: 10 x USB 2.0 (2 USB 2.0 via expansion)
Serial Port	IPC-8424-01: 6 x RS-232 (4 via expansion) IPC-8424-02: 6 x RS-232 (4 via expansion) IPC-8424-03: 3 x RS-232 (via expansion)
Parallel Port	1 x LPT
KB/MS	1 x PS/2 KB, 1 x PS/2 MS
VGA	1 x VGA
Audio	Onboard AC'97 audio controller, Speaker-out / Mic-in / Line-in

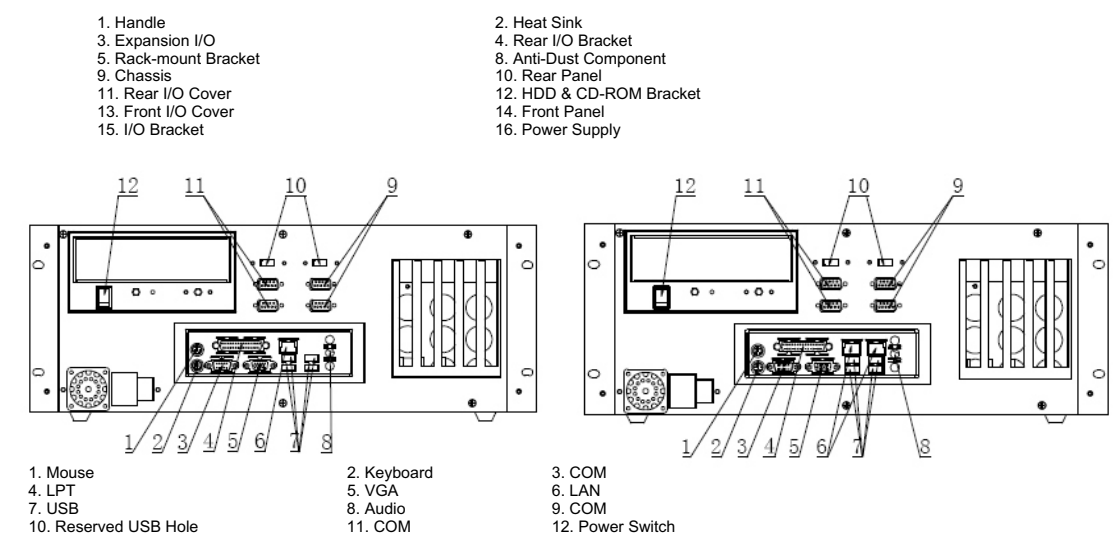
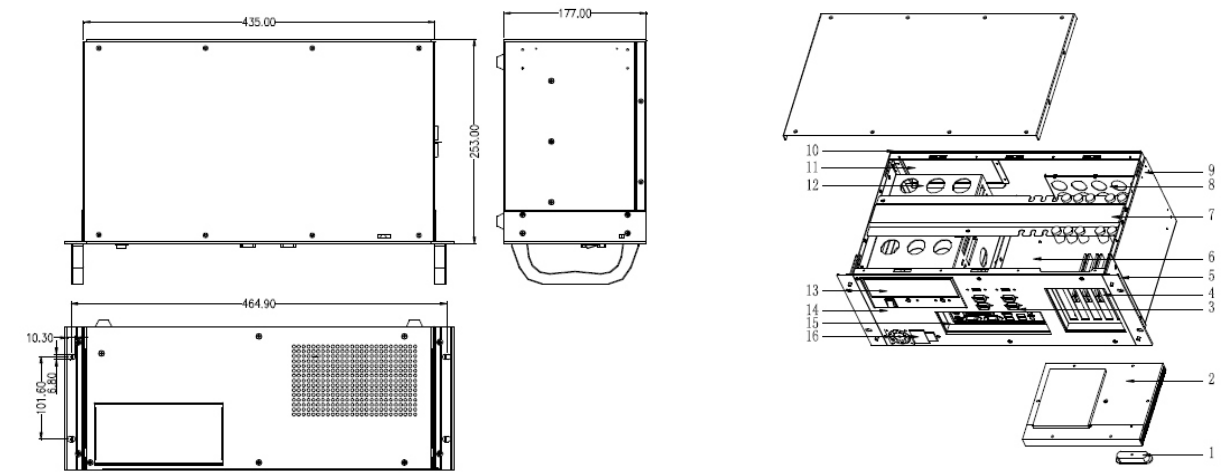
Mechanical and Environmental	
Dimensions	435mm(L) x 253mm(W) x 177mm(H)
Weight	N/A
Reliability	MTBF ≥ 50000h; MTTR ≤ 0.5h
Safety	GB4943
Operating Temperature	0°C ~50°C
Storage Temperature	-40°C ~60°C
Operating Humidity	5%-90%, 40°C Non-condensing

Operating System	
Windows OS	Windows 2000 / Windows XP
Embedded OS	Linux / XP Embedded / WinCE

Available Accessories

Part NO.	Name	Description	Qty.
2360-003671	AC power supply cable	Length: 1500mm/USA standard 821(A version) RoHS A1	1
2360-013881	Power supply cable	SATA-15 pin (female) to big 4 pin connector (male) with terminal, length: 800mm, RoHS	1
2372-003211	Rubber spring pad 1/RoHS	Φ15x24.2mm/rubber/black/notched/please refer to the drawings for details/outourcing	6
2372-003221	Rubber spring pad 2/RoHS	Φ15x19.7mm/rubber/black/notched/please refer to the drawings for details/outourcing	4
2372-001141	Rubber pad/RoHS	20x20/3M adhesive-backed	4
	User Manual	IPC-8424	1
	Driver CD	IPC-8424	1
	Setup Guide/RoHS	AMI/BIOS Setup Guide (for Core/8)	1

Dimensions and Drawings



Ordering Information

Part Number	Model Number	Description
0020-008620	IPC-8424-01/fanless	Chassis: ETX-1712CLDNA/EDB-ETX04/PS-6250/ATX
0020-008630	IPC-8424-01/no power/no backplane	Empty chassis
0020-008631	IPC-8424-01/no power/no backplane	Empty chassis/RoHS
0020-008640	IPC-8424-02/fanless	Chassis: ETX-1841LDNA/EDB-ETX04/PS-6250 ATX
0020-008650	IPC-8424-02/no power/no backplane	Empty chassis
0020-008651	IPC-8424-02/no power/no backplane	Empty chassis/RoHS
0020-008660	IPC-8424-03/fanless	Chassis: COM-1812LDNA/U7500/EDB-COM03-8424/PS-6250/ATX
0020-008670	IPC-8424-03/no power/no backplane	Empty chassis
0020-008671	IPC-8424-03/no power/no backplane	Empty chassis/RoHS

1

Full-Size/Half-Size Slot CPU Cards

2

SBC/Motherboard Modules

3

Embedded Box PC

4

Network Application Computers

5

Industrial PC

6

HMI

7

EVOG Rugged Series

8

MCC Series

9

Chassis

10

Data Acquisition Boards & Modules

11

Accessories

1

Full-Size/Half-Size Slot CPU Cards

2

SBC/Motherboard Modules

3

Embedded Box PC

4

Network Application Computers

5

Industrial PC

6

HMI

7

EVOG Rugged Series

8

MCC Series

9

Chassis

10

Data Acquisition Boards & Modules

11

Accessories