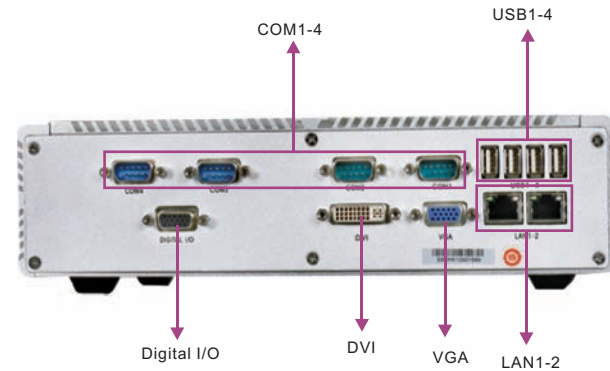
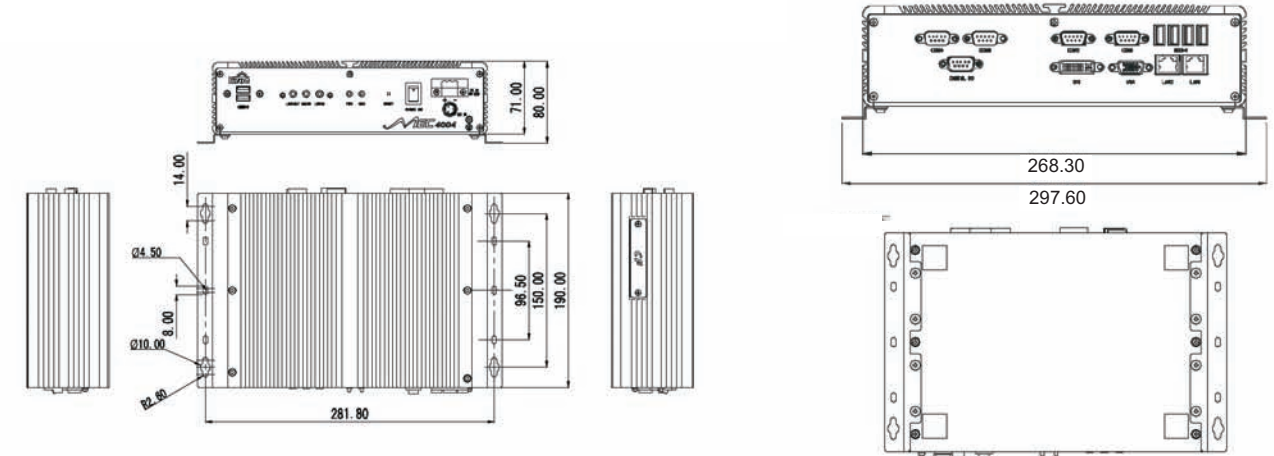


MEC-4004-01

Core 2 Duo Fanless Embedded PC



Dimensions



1

Full-Size/Half-Size Slot CPU Cards

2

SBC/Motherboard Modules

3

Embedded Box PC

4

Network Application Computers

5

Industrial PC

6

HMI

7

EVOC Rugged Series

8

MCC Series

9

Chassis

10

Data Acquisition Boards & Modules

11

Accessories



Features

- Onboard Intel® Core 2 Duo U7500 (1.06G)/ L7500 1.6G
- 1 x 200-pin SODIMM, DDR 533/667 MHz up to 2GB
- Supports 1 x SATAHDD space
- Supports 2 x 10/100/1000Mbps RJ45 port
- Supports 6 x USB 2.0, 4 x RS-232, 1 x VGA, 1 x DVI

Specifications

System	
Processor	Onboard Intel® Core 2 Duo U7500 (1.06G)/ L7500 1.6G
Chipset	Intel® GLE960/GME965+ICH8-M
Memory	1 x 200-pin SODIMM, DDR 533/667 up to 2GB
Expansion Interface	N/A
Storage	
IDE	N/A
Serial ATA	2 x serial ATA 150MB/S interface
Floppy	N/A
CF	1 x CompactFlash socket type I/II(optional)
DOC/DOM	N/A
I/O Interface	
USB	6 x USB2.0 port(2 x USB at the front panel, 4 x USB at the rear panel)
Serial Port	4 x RS-232, 2 x RS232C/422/485
Parallel Port	N/A
IrDA	N/A
GPIO	Supports 8-way digital I/O
Audio	Supports HD audio, with Speaker-out and Mic-in
Display	
Chipset	Intel® GLE960/GME965 integrated
Memory	256MB shared memory
Resolution	VGA mode up to 2048 x 1536@75Hz
Dual Display	Supports CRT+LVDS independent dual display

Ethernet	
Chipset	2 x Realtek RTL8111C Ethernet controller
Speed	2 x 10/100/1000Mbps
Connector	2 x RJ45
Mechanical and Environmental	
Dimensions	268.30mm(W) x 71mm(H) x 190mm(D)
Reliability	MTBF ≥ 50000h; MTTR ≤ 0.5h
Operating Temperature	-10 C~55 C
Storage Temperature	-20 C~70 C
Operating Humidity	20%-90%, 40 C non-condensing
Power	
Power Supply	Supports DC 6V~32V direct input or external 60W AC power adaptor with input AC 100-240V 50/60Hz
Power Consumption	N/A
Operating System	
Windows OS	Windows 2000/ Windows XP
Embedded OS	Linux/XP Embedded/Window CE
Test	
Vibration	5-17Hz/1.0mm amplitude; 17-200Hz/ 1g acceleration
Shock	10g acceleration, 11ms duration
EMC/EMI	GB9254-1998 Class A

Available Accessories

Part Number	Name	Description	Qty.
2100-067230	Power adapter/FSP	FSP120-AAB/120W input small 3 Pin output connector DC2.5x5.5x10	1
2332-000141	Aviation socket/RoHS	Female, RS765 J/K3P, electroplated surface, silver white	1
2360-024791	AC power supply cable/KING-CORD/RoHS	KC-018 to KC-008/Length: 1.5M/K18081H5150BB/national standard	1
2360-017861	HDD flat cable/RoHS	SATA7 Pin/90 to SATA7 Pin/length: 150mm/26AWGUL2725	1
2330-000601	Connector/ANYTEK/RoHS	3 Pin pitch 5.08(female) HW035050000AG	1
	Driver CD/Protective film	MEC-4004/Long March series	1
	User Manual/Chinese and English	MEC-4004/Long March series	1
	Setup Guide	AMI BIOS Setup Guide(for Core 8)	1
2391-004771	Copper hex Screws/RoHS	M3x15-5/CH-M3-15-5-Ni	4
2391-002141	Nut/RoHS	M3/GB-T6170-1986/nickel plating	4
2391-000401	Screw/RoHS	Pan head M3x6 pin/GB-T818-1985/nickel plating	4
2391-001541	Screw/RoHS	Truss head M4x5/MPW4x5-NI/GB-9074.1-88	8
1488-010191	Desktop fixing bracket/MEC-4004/RoHS	Blank/200x46x1.2/silver coating	2

Ordering Information

Part Number	Model Number	Description
0010-016390	MEC-4004-01/1G/HDD/GLE960+U7500	Complete PC: U7500 1.06G/1G/160G/EC4-1811LD2NA-U7500/120W/MEC-4004
0010-016400	MEC-4004-02/1G/CF card/GLE960+U7500	Complete PC: U7500 1.6G/1G/1G CF card/EC4-1811LD2NA-U7500/120W/MEC-4004
0010-016410	MEC-4004-03/2G/HDD/GME965+L7500	Complete PC: L7500 1.6G/2G/160G/EC4-1811LD2NA-L7500/120W/MEC-4004
0010-016420	MEC-4004-04/2G/CF card/GME965+L7500	Complete PC: L7500 1.06G/2G/1G CF card/EC4-1811LD2NA-L7500/120W/MEC-4004
0010-018820	MEC-4004-05/1G/HDD/GME965+U7500	Complete PC: U7500 1.06G/1G/160G/EC4-1811LD2NA-L7500/120W/MEC-4004
0020-036340	MEC-4004/no power/no backplane	Empty chassis

1

Full-Size/Half-Size Slot CPU Cards

2

SBC/Motherboard Modules

3

Embedded Box PC

4

Network Application Computers

5

Industrial PC

6

HMI

7

EVOC Rugged Series

8

MCC Series

9

Chassis

10

Data Acquisition Boards & Modules

11

Accessories