



Features :

- 15" XGA (1024×768) Color TFT LCD
- 19" Rackmount, 8U, Aluminum Alloy Front Panel and Heavy-Duty Steel Chassis
- Disk Drive Bay for CD-ROM, Slim Floppy Disk Drive and 3.5" Hard Disk Drive
- Optional 5.25" LOW Power Embedded Motherboard
- 1U 250W Industrial Power Supply
- 59 Function keys keyboard And Touchpad, 2 Front-accessible USB ports
- Design for Simple maintenance with hinged rear door for easy access
- Front Panel with IP-65 Certification

Specifications

System	
Storage Disk Drive(Optional)	1x 3.5" drive bay
USB Connector	2x USB2.0
Membrane Keypads	One with 59 data-keys, one with 12 function keys and 3 programmable function keys
Keyboard/Mouse Connector	N/A
Expansion Slot	N/A
Power Supply	1U 250W Industrial Power Supply
OS Support	MS DOS, Windows 2000, Windows XP
Mechanical	
Construction	Universal 300W with Power Factor Correcting switching power supply
Front Panel Color	Black
Dimension (W×D×H)	19"×4.13"×13.94", 482mm×105mm×354mm
Carton Size (W×H×D)	28.19"×8.66"×22.24", 716mm×220mm×565mm
Gross Weight	40.78lb±1lb (18.5kg±0.5kg)
EMB-5730	
CPU	Onboard Intel®ULV Celeron®M or Socket 479 Intel® Pentium®M with FSB 400MHz up to 2.0GHz/ Celeron®M with FSB 400MHz up to 1.70GHz
Memory	1x 184-Pin DIMM, DDR 200/266/333 up to 1GB
LCD/VGA Controller	Intel®852GM integrated, VGA+LVDS,TV+LVDS(Optional) support dual independent display
Ethernet	Intel®82541/82551QM, 10/100/1000Mbps, 2x RJ-45
I/O Port	6x COM, 1x LPT, 4x USB2.0, 1x Keyboard and Mouse connector, 8-bit GPIO(programmable), 1x IrDA Tx/Rx Header, MIC-in, Line-in, Speak-out, Line-out, CD-in
Compatible Backplane	PBP-03P2

Environmental	
Operating Temperature	32°F ~ 122°F (0°C ~ 50°C)
Storage Temperature	-4°F ~ 140°F (-20°C ~ 60°C)
Operating Humidity	5 ~ 90%, non-condensing
Vibration	1G/5 ~ 500Hz (Random) / operation
Shock	15G peak acceleration (11 msec. duration)/operation
EMC	CE/FCC Class B
LCD	
Display Type	15" color TFT LCD
Max. Resolution	1024×768
Active Area	304.128mm(H)×228.096mm(V)
Max. Color	262K
Dot Size	0.297mm×0.297mm
Luminance	250cd/m ²
Contrast Ratio	700: 1Typ
Touch Screen	
Module	Four-Wire Analog Resistive
Input Method	Stylus Pen or Finger
Hardness of surface	Pencil hardness 3H
Input life	1,000,000 times min (R0.8mm with 250g force)
Notes life	100,000 words min (R8,hardness 60°,250g force)
Operation force	R0.8(≅8~50g)
Transparency	≧76% (measured by BYK-Gardner)
Controller Interface	RS232, USB

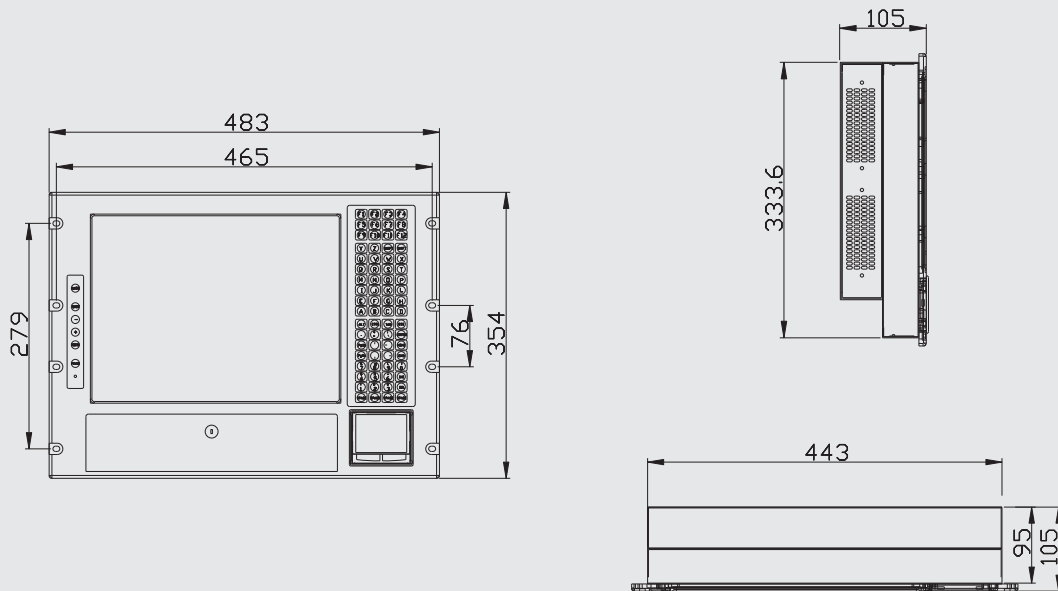
RWS-856 Industrial Workstation with 15" TFT LCD

Port View



- 1、VGA Port
- 2、LAN Port
- 3、KB/MS PS/2 Port
- 4、Audio Port
- 5、Power Switch
- 6、Power Socket

Dimensions



Packing List

- 2014247119 Air Filter
- 0110520009 External VGA Cable
- Motherboard Driver CD
- 1000300609 PSU Screw
- 0811500019 Power Cord
- RWS-856
- 4000605219 HDD Screw
- User's Manual

Ordering Information

- RWS-856
19" Rackmount, 8U Industrial Workstation, 15" XGA (1024 X 768) Color TFT LCD, AT, On board CPU, Intel Pentium-M/Celeron-M, VGA, DDR333/400MHz(up to 1GB) , 1x PCI Golden finger, 1x CF, 1x PS/2, 1x100Mbps Ethernet

Optional Accessories

- PBP-03P2-V10
Backplane, 3x PCI, Size: 175mmx20mm

UNITRONIX Pty Ltd

PO Box 486, Morisset NSW 2264

NSW: Tel: 61 2 4977 3511 Fax: 61 2 4977 3522

WA: Tel: 61 8 9455 2424 Fax: 61 8 9455 2458

unitsyd@unitronix.com.au www.unitronix.com.au