

Themis RES-XStore Storage Expansion Unit



1U Storage Expansion for up to 12 SAS or SATA Drives

RES-XStore™ is a new family of storage expansion units for use with RES systems, and other servers, in mission critical applications in harsh environments. The RES-XStore supports up to twelve 2.5" SAS or SATA HDD or SSD drives, with a maximum total capacity of 12 TB and is packaged in a 1U, 17" (432mm) deep rack-mountable chassis. The system incorporates four hot pluggable canisters, each containing three drives. The RES-XStore is connected, via a PCI-Express x8 link with an add-in adapter, to a host server.

The RES-XStore includes a RAID controller that supports RAID levels from 0 to 60. Canisters can be configured to be hot pluggable. The RES-XStore, as all products in the RES server family, is designed to operate in the most challenging environments.

RES Family Features:

Mechanical

- Designed for High Reliability in harsh operating environments
- Extensive use of specially coated aluminum for light weight and corrosion resistance.
- Stainless steel in selected areas to add strength and stiffness
- Modular design for easy upgrade and service
- Optional Rack-Mount Slides
- Airflow direction: Front to Rear
- Optional dust filter
- Locking feature for securing and removal of drives from canisters

Operating Systems

- Linux® and Windows® OS Support

Environmental*

- Operating Shock: 3 axis, 25G, 20ms
- Operating Vibration: 3.0 Grms, 8 Hz to 2000 Hz
- Operating Temperature: 0° C – 60° C with SATA HDDs
- MIL-STD-810G
- Humidity: up to 90% non-condensing

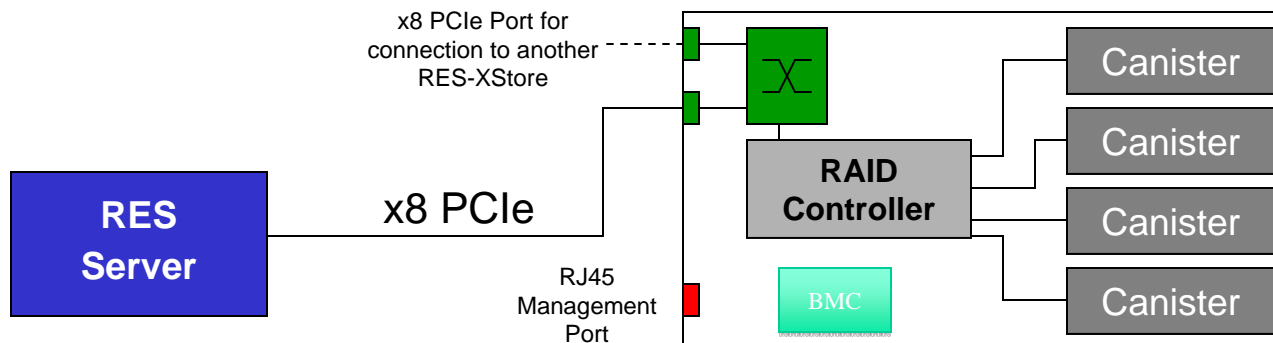
* Environmental specifications are configuration dependent.

Reliability

- Power Supply Options:
 - Single or redundant 110/220 VAC, 650 Watt (50/60Hz, 400Hz)
 - Single or redundant 18-36 VDC, 500 Watt, 32 Amp
 - Single or redundant 36-72 VDC, 650 Watt, 18 Amp
- Canisters can be configured to be hot pluggable
- Built-in fan speed control and temperature monitoring

RES-XStore Specifications:

- Capacity for twelve 2.5" SAS or SATA Drives in four canisters
 - Three drives per canister
- Each canister hot pluggable
- x8 PCIe link between RES-XStore and host machine
- Supports SATA Solid State Drives
- Dimensions (HWD): 1U x 17" x 17.0"
(45 mm x 431.8 mm x 431.8 mm)
- RAID level 0, 1, 1E, 3, 5, 6, 10, 30, 50, 60, Single Disk or JBOD
- RAID In-band or Out-of-band management
- RAID volume management
- Ethernet for out-of-band management

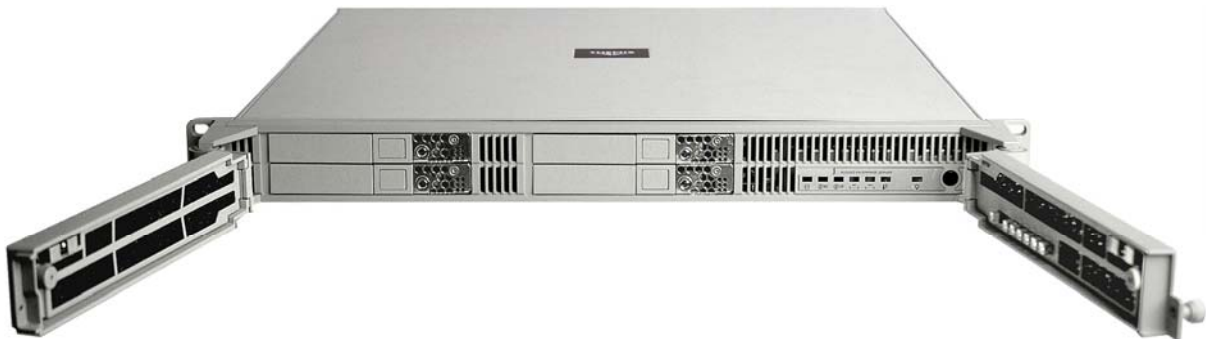


RES-XStore



Storage Canister

- Three SAS or SATA Drives per Canister



THEMIS

Themis
47200 Bayside Parkway
Fremont, CA 94538
Tel: 510-252-0870
Fax: 510-490-5529
Email: info@themis.com
www.themis.com

Themis Europe Sales Office
5 rue Irène Joliot-Curie
38320 Eybens, France
Tel: +33.476.14.77.86
Fax: +33.476.14.77.89

Themis, the Themis logo and RES-XStore™ are trademarks or registered trademarks of Themis Computer. Intel, Xeon, the Intel Xeon Inside logo, are trademarks or registered trademarks of Intel Corporation. All trademarks and registered trademarks are the property of their respective owners.