

# PDS-1703

17" LCD Flat Panel Monitor

## UNITRONIX Pty Ltd

PO Box 486, Morisset NSW 2264  
 NSW: Tel: 61 2 4977 3511 Fax: 61 2 4977 3522  
 WA: Tel: 61 8 9455 2424 Fax: 61 8 9455 2458  
 unitsyd@unitronix.com.au www.unitronix.com.au



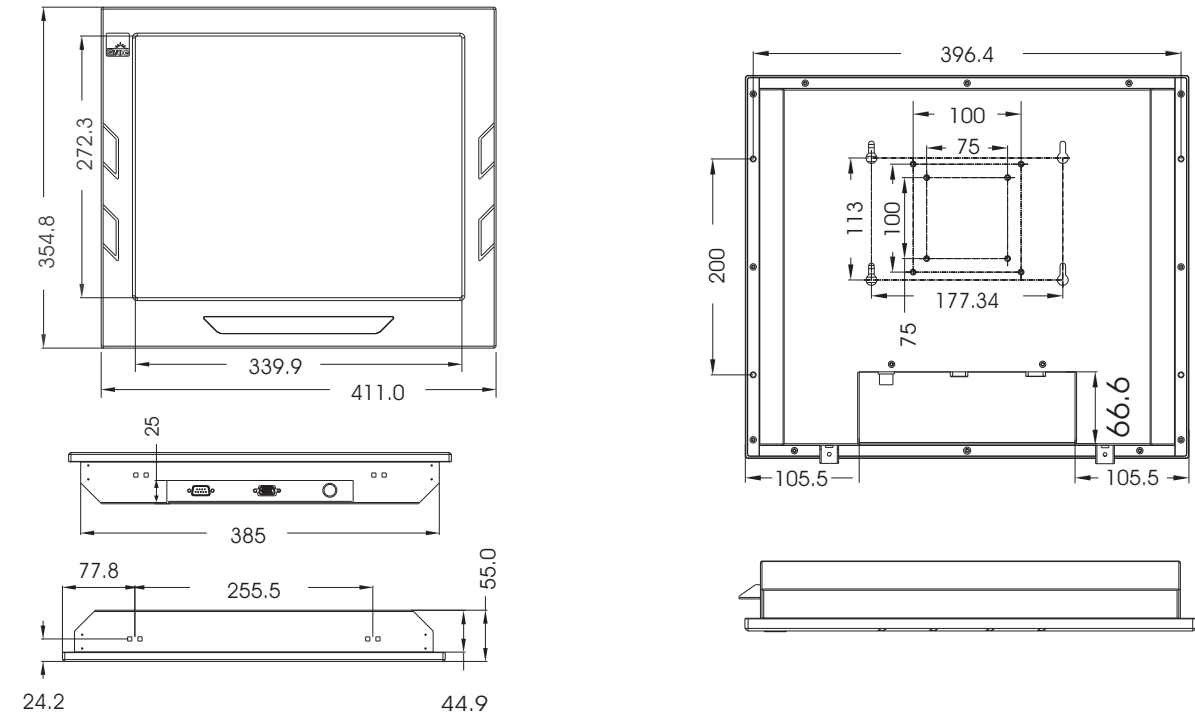
### Features

- 17" TFT LCD screen, optional touch screen
- LCD brightness and contrast ratio adjustable manually or automatically
- High-strength and elegant Al-alloy panel, ultra-slim profile
- Optional IP65 front panel, overall IP54
- Installation compatible with VESA, wallmount and wall-embedded

### Specifications

Product Type	Industrial flat panel monitor
Display Screen	17" TFT LCD, external VGA interface
Brightness	300cd/m@7.5mA
Viewing Angle	140° (H)/125° (V)
Support Color	16.7 M colors(RGB 6-bit+FRC data)
Contrast Ratio	800:1
Resolution	1280 x 1024
Response Time	5ms
Power Supply	External power supply adapter
Power Consumption	Typical 25.8W@7.5mA
Dimensions	411mm(W) x 355mm(H) x 55mm(D)
Net Weight	7.1kg
Protection Grade	Optional IP65 front panel, overall IP64
Reliability	MTBF ≥ 50000h; MTTR ≤ 0.5 h
Operating Temperature	0°C~50°C
Storage Temperature	-20°C~60°C
Relative Humidity	5%~95%, 40°C non-condensing
Shock	10g peak acceleration (11 ms duration)
Vibration	5-17Hz/1.0mm amplitude, 17-200Hz/1.0g acceleration
Installation	VESA, wallmount and wall-embedded

### Dimensions



### Available Accessories

Part Number	Name	Description	Qty.
	User's Manual/RoHS	PDS-1703	1
2360-003671	AC power cable/RoHS	Length: 1500mm/USA standard/821	1
1479-000520	Mounting bracket/1501	Blank/55x40x1.2	4
2391-000651	Screw/RoHS	Truss head M3x5/MPW3x5-NI/GB9074.1-88	4
2391-001721	Screw/RoHS	Pan head M4x55/MP/4x55-Czn/GB-9074.1-88	4
2391-002041	Screw/RoHS	Countersunk head M5x6/head Φ6.8/GB-T819-1985	10
2401-000201	Accessories box/RoHS	370x155x40/250g+w9	1
2360-002181	VGA cable/RoHS	D-type right-angle 15 Pin male connector, length: 1500mm/PDS-1201	1
2100-024021	Power supply/RoHS	FSP060-1AD101CDC/2.5x5.5x10/head output	1

### Related Product

Item	Typical Recommendation
Rack mount IPC	IPC-2402 series, IPC-2403 series, SPC-0401 series and so on
Wallmount IPC	MEC-9001, MEC-9002
Embedded Box PC	MEC-1001, MEC-4002, MEC-5002, MEC-5003 and so on

### Ordering Information

Part Number	Model Number	Description
0020-012311	PDS-1703/touch screen	17" Panel Monitor/touch screen/FSP060-1AD101C/with OSD
0020-012321	PDS-1703/tempered glass	17" Panel Monitor/tempered glass/FSP060-1AD101C/with OSD
0020-012331	PDS-1703-L/touch screen	17" Panel Monitor/touch screen/FSP060-1AD101C
0020-012341	PDS-1703-L/tempered glass	17" Panel Monitor/tempered glass/FSP060-1AD101C