

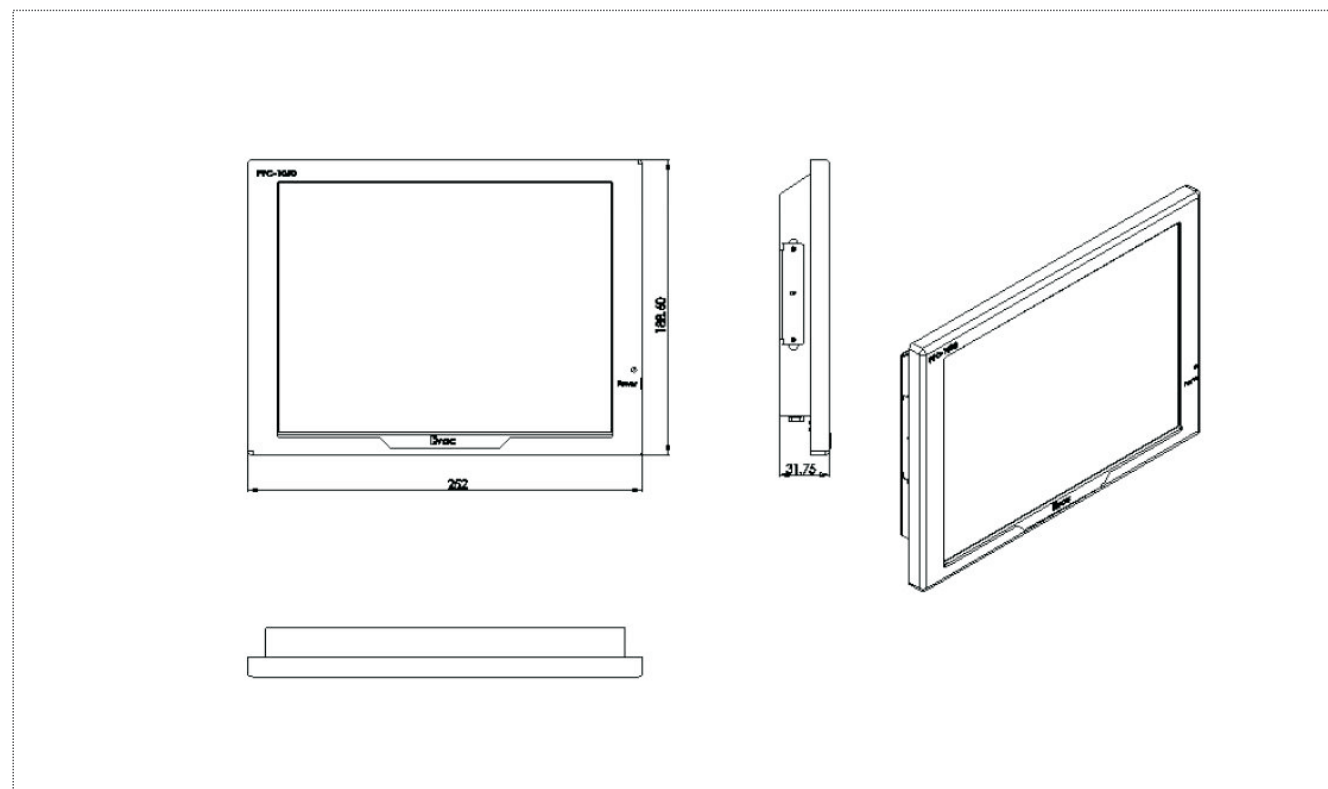
# PPC-1003-04

10.4" Industrial Panel PC with touchscreen/3COM/LAN/2USB

**UNITRONIX Pty Ltd**  
 PO Box 486, Morisset NSW 2264  
 NSW: Tel: 61 2 4977 3511 Fax: 61 2 4977 3522  
 WA: Tel: 61 8 9455 2424 Fax: 61 8 9455 2458  
 unitsyd@unitronix.com.au www.unitronix.com.au



## Dimensions



## Features

- 10.4" color TFT LCD, touch screen available (optional)
- AMD LX800 500MHz CPU
- Onboard 256MB DDR memory
- Supports 2 x USB2.0, 3 x COM, 1 x LAN, 1 x Audio
- Ultra-slim design

## Specifications

### Display Features

Display Screen	10.4" color TFT LCD
Display Chipset	AMD LX800 integrated graphics controller
Resolution	800 x 600
Brightness	400cd/m2
Contrast ratio	≥350:1
Touch Screen	4-wire resistive touch screen (optional)

### System

SBC Model	104-1642CLDNA
Processor	AMD LX800 500MHz CPU
Chipset	AMD 5536
Memory	Onboard 256MB DDR memory
Storage	4G CF card
Expansion Interface	PC104 Plus

### Ethernet

Chipset	RTL-8139DL-LF
Speed	10/100Mbps
Connector	1 x RJ45

### I/O Interface

USB	2 x USB 2.0 port
Serial Port	3 x RS-232
Parallel Port	N/A
KB/MS	N/A
Audio	1 x HD Audio on-board, supports MIC-in/speaker-out

### Mechanical and Environmental

Dimensions	252mm (W) x 188mm (H) x 30mm (L)
Weight	11.50/14.30Kg
IP Level(front panel)	IP65(optional)
Reliability	MTBF ≥50000 h; MTTR ≤0.5h
Safety	GB4943
Operating Temperature	0°C~50°C
Storage Temperature	-10°C~80°C
Operating Humidity	10%~95% (noncondensing)

### Power

Power Supply	Power Adapter
Power consumption	26W (Max), +12V@8A (Max), +5%/ -5%

### Operating System

Windows OS	Windows XP
Embedded OS	Linux/XP Embedded/Wince

### Test

Vibration	5 ~ 19Hz/1.0mm; 19 ~ 200Hz/1.0g
Shock	10g, 11ms
EMC/EMI	GB9254-1998 class A

## Optional Accessories

Part Number	Name	Description	Qty.
	Keyboard and mouse cable/RoHS	/	1
	2-pin terminals	/	1
	Driver CD/Protective film/RoHS	PPC-1003 Ver:A0	1

## Ordering Information

Part Number	Model Number	Description
0010-025690	PPC-1003-01	Panel PC(Complete PC)/ROHS:10.4"LCD/AMD LX800/256MB/104-1642CLDNA/12V DC input/3×COM/2×USB/No storage/Touch screen/Fanless
0010-025710	PPC-1003-02	Panel PC(Complete PC)/ROHS:10.4"LCD/AMD LX800/256MB/104-1642CLDNA/12V DC input/3×COM/2×USB/4G CF Card for storage/Touch screen/Fanless
0010-030460	PPC-1003-04	Panel PC(Complete PC)/ROHS:10.4"LCD/AMD LX800/256MB/104-1642CLDNA/24V DC input/3×COM/2×USB/4G CF Card for storage/Touch screen/Fanless