

PPC-1507-01

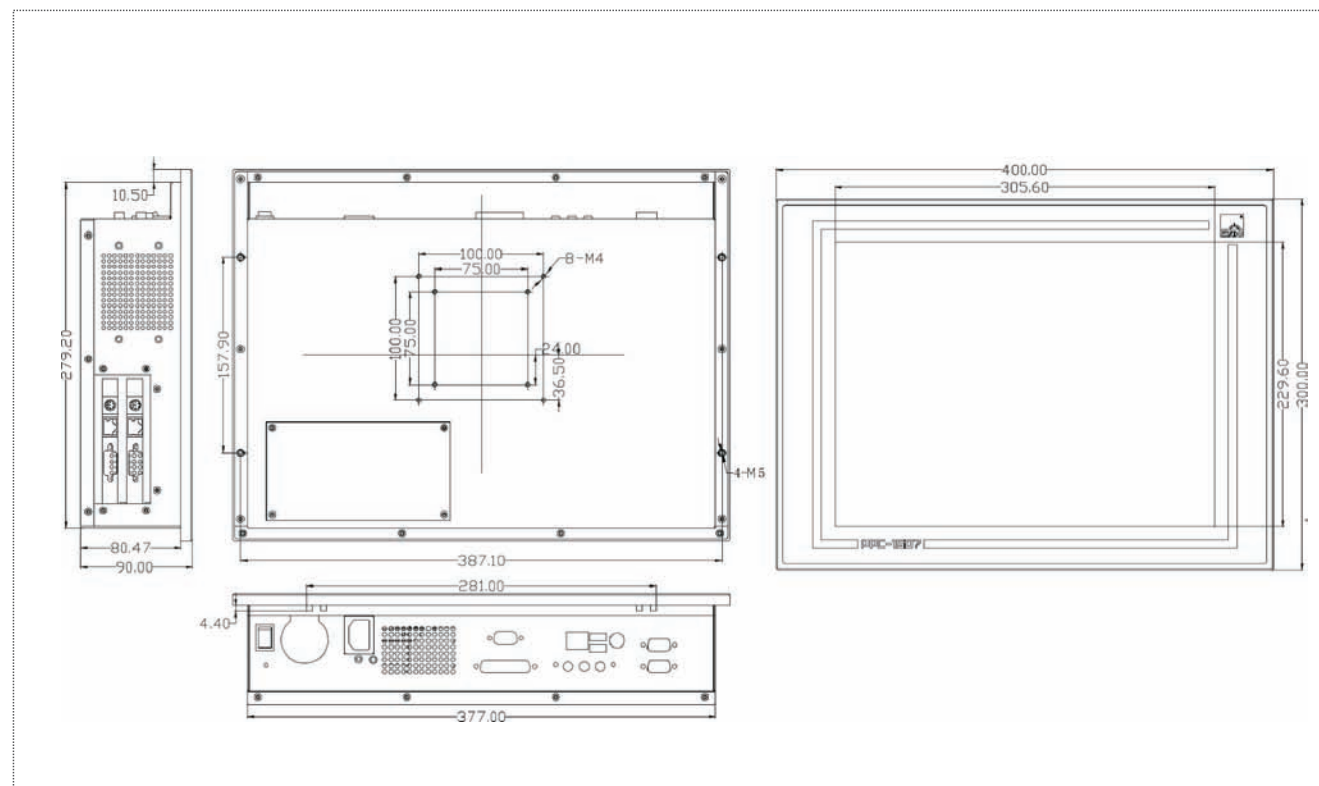
15" Industrial Panel PC with touch screen/LAN/LPT/Audio/2USB/3COM

UNITRONIX Pty Ltd

PO Box 486, Morisset NSW 2264
 NSW: Tel: 61 2 4977 3511 Fax: 61 2 4977 3522
 WA: Tel: 61 8 9455 2424 Fax: 61 8 9455 2458
 unitsyd@unitronix.com.au www.unitronix.com.au



Dimensions



Features

- 15" high luminance LCD, resistance touch screen available
- Intel® Pentium® M 1.4G;
- 512M DDRII memory as standard configuration; up to 1G;
- 160G SATA hard disk ; 1 x slim CD-ROM
- Supports 2 x USB2.0, 3 x COM, 1 x LAN, 1 x LPT; 1 x Audio; 1 x PS/2 port (KB/MS)

Specifications

Display Features

Display Screen	15" high luminance LCD with VGA interface
Resolution	1024 x 768
Brightness	350cd/m2
Contrast ratio	500: 1
Depth of the Color	≥262144 Colors
Touch Screen	5-wire resistive touch screen with RS232 interface

System

SBC Model	EC4-1713CLDNA
Processor	Intel® Pentium® M 1.4G processor
Chipset	Intel® 915GM + ICH6M
Memory	1 x 200-Pin SO-DIMM slot, DDR2 400/533, 512M DDRII memory as standard configuration; up to 1G
Watchdog Timer	Software programmable supports 1~255 sec./min. timer system reset/interrupt
Expansion interface	PCI-E transfer card (one x 1 or one x 4 slot)
Storage	2.5" 160G SATA hard disk as standard configuration; support CF Type II; 24X super slim CD-ROM

Ethernet

Chipset	Intel® 82562 ET 10/100Mbps Ethernet controller
Speed	10/100Mbps
Connector	1 x RJ45

I/O Interface

USB	2 x USB 2.0 ports
Serial Port	3 x RS232(1 x RS232/RS422/RS485)
KB/MS	1 x PS/2 port (KB/MS)
VGA	1 x VGA port
Audio	AC'97 sound effect

Mechanical and Environmental

Dimensions	400.00mm (W) x 300.00mm (H) x 90.00mm (D)
Weight	7.20Kg/8.96 Kg
IP Level(front panel)	IP65(optional)
Reliability	MTBF ≥ 50000h ; MTTR ≤ 0.5h
Safety	GB4943
Operating Temperature	0C ~ 50C
Storage Temperature	-20C ~ 60C
Operating Humidity	10% ~ 95% (non-condensing)

Power

Power Supply	220W ATX industrial power
--------------	---------------------------

Operating System

Windows OS	Windows XP
Embedded OS	Linux/XP Embedded/Wince

Test

Vibration	5 ~ 19Hz/1.0mm; 19~ 200Hz/1.0g
Shock	10g, 11ms
EMC/EMI	GB9254-1998 class B

Optional Accessories

Part Number	Name	Description	Qty.
2192-007441	Driver CD/Protective film/RoHS	PPC-1507/VER:A1	1
2360-003791	AC power cable/RoHS	L=1500/USA standard/821	1

Ordering Information

Part Number	Model Number	Description
0010-005831	PPC-1507T-01/ PM1.4G/touch screen	Panel PC (Complete PC)/RoHS: Pentium® M 1.4G/512M/160G/24X ultra slim/EC4-1713CLDNA(B) PPC-PM1.4G/220W ATX/PPC-1507/ touch screen
0010-005801	PPC-1507-01/ PM1.4G/tempered glass	Panel PC (Complete PC)/RoHS: Pentium® M 1.4G/512M/160G/24X ultra slim/EC4-1713CLDNA(B) PPC-PM1.4G/220W ATX/PPC-1507/ tempered glass
0010-005791	PPC-1507/CM 1G/ tempered glass	Panel PC (Complete PC)/RoHS: Celeron® M 1.0G/512M/160G/24X ultra slim/EC4-1713CLDNA(B) PPC-CM1.0G/220W ATX/PPC-1507/ tempered glass
0010-005821	PPC-1507T/CM1G/ touch screen	Panel PC (Complete PC)/RoHS: Celeron® M 1.0G/512M/160G/24X ultra slim/EC4-1713CLDNA(B) PPC-CM1.0G/ 220W ATX/PPC-1507/ touch screen
0010-005811	PPC-1507-02/ PM2.0G/tempered glass	Panel PC (Complete PC)/RoHS: Pentium® M 2.0G/1G/160G/24X ultra slim/EC4-1713CLDNA(B) PPC-PM2.0G/220W ATX/PPC-1507 /tempered glass
0010-005841	PPC-1507T-02/ PM2.0G/touch screen	Panel PC (Complete PC)/RoHS: Pentium® M 2.0G/1G/160G/24X ultra slim/EC4-1713CLDNA(B) PPC-PM2.0G/220W ATX/PPC-1507/ touch screen