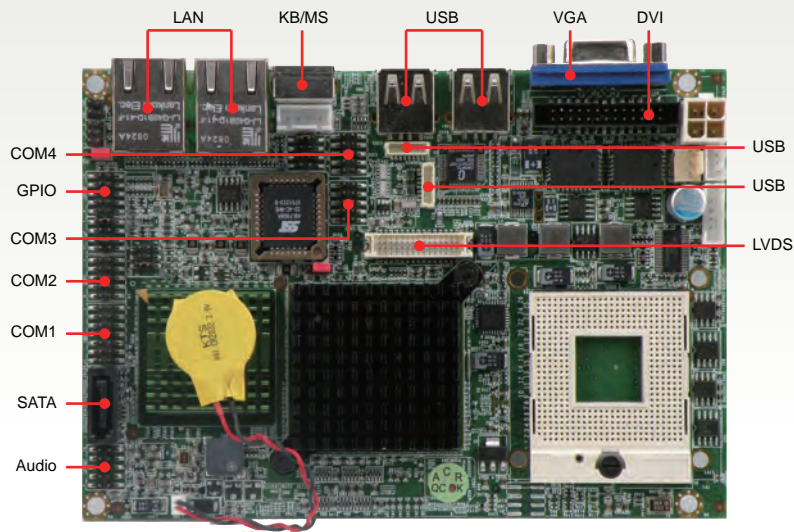


AR-B5250

3.5" SBC Support Intel Pentium M/Celeron M Processor
Dual Giga LAN, 4 x COM, 6 x USB2.0, LCD, SATA, CF



Features

- ✓ Intel 910GMLE + ICH6M
- ✓ Support Intel Pentium/Celeron M
- ✓ Support DDR2 400MHz up to 1GB
- ✓ VGA/DVI/LVDS
- ✓ Dual Giga LAN
- ✓ 4 x COM, 6 x USB2.0, CF, Audio

Specification

System

CPU	Socket 478 support Intel Pentium M/Celeron M
Chipset	Intel 910GMLE + Intel ICH6M
Front Side Bus	
Memory	1 x 200-pin SO-DIMM socket support 400MHz DDR2 SDRAM up to 1GB

Video

Graphic Controller	Intel 910GMLE integrated GMA 900 graphic controller
Video Memory	DVMT 3.0, Maximum 128MB shared
Video Interface	<ul style="list-style-type: none"> • 1 x VGA (DB15) • 1 x DVI (Pin header, Option) • 1 x Dual Channel 18-bit LVDS (Pin header)

Storage

IDE	-
SATA	1 x SATA I port
CF	1 x Compact Flash Type I socket
SD	-

I/O

Expansion Slot	-
Ethernet	2 x Gbps RJ45 with LED, Intel 82574L
Serial Port	3 x RS-232, 1 x RS-232/422/485 (4 x pin header)
USB	6 x USB2.0 (2 x external port, 4 x pin header)
GPIO	8-bit GPIO
Parallel Port	-
PS/2	1 x PS/2
Audio	Realtek ALC655

Hardware Feature

Hardware Monitoring	<ul style="list-style-type: none"> • CPU voltage • CPU and system temperature • CPU and fan speed
WatchDog Timer	Software programmable 1~255 sec.

Power Requirement

Power Input	12V (+/-5%) single voltage input
Power Consumption	32W without external devices, 2.7A@12V

Software

OS Support	Windows XP/XP Embedded/CE, Linux
-------------------	----------------------------------

Mechanical & Environment

Dimension	145mm x 102mm (5.71" x 4.01")
Weight	Net: 200g (0.5Lb)
Operating Temp.	0~60°C (32~140°F)
Storage Temp.	-20~80°C (-4~176°F)
Relative Humidity	5 to 90% @ 40°C, non-condensing
Safety	CE, FCC class A

Packing List

- 1 x AR-B5250
- 1 x Quick manual
- 1 x Driver CD
- 1 x Cooler (Socket model only)
- 1 x CPU heat sink (Onboard CPU type only)

Ordering Information

AR-B5250	AR-B5250 with Celeron/Pentium M
AR-B5250CM1GZC	AR-B5250 with Celeron M 1GHz, Zero L2 cache
AR-B5250CM6C	AR-B5250 with Celeron M 600MHz, 512KB L2 cache
Accessory	ACC-5250:

- 1 x PS/2 keyboard and mouse cable
- 1 x ATX cable
- 1 x DVI cable
- 1 x Audio cable
- 1 x USB cable
- 1 x SATA cable
- 1 x SATA power cable
- 1 x COM cable

UNITRONIX Pty Ltd

PO Box 486, Morisset NSW 2264
NSW: Tel: 61 2 4977 3511 Fax: 61 2 4977 3522
WA: Tel: 61 8 9455 2424 Fax: 61 8 9455 2458
 unitsyd@unitronix.com.au www.unitronix.com.au