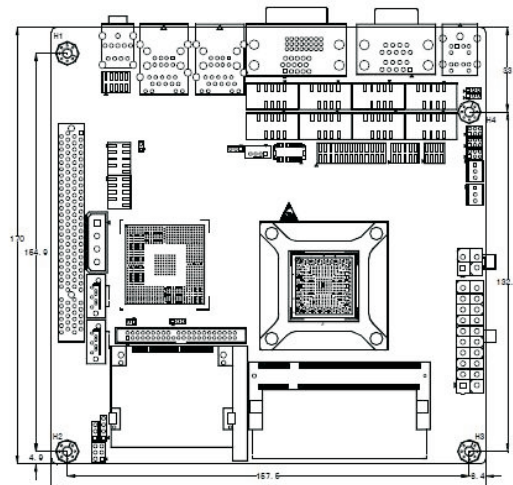
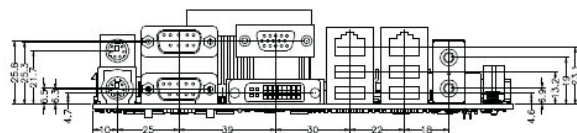
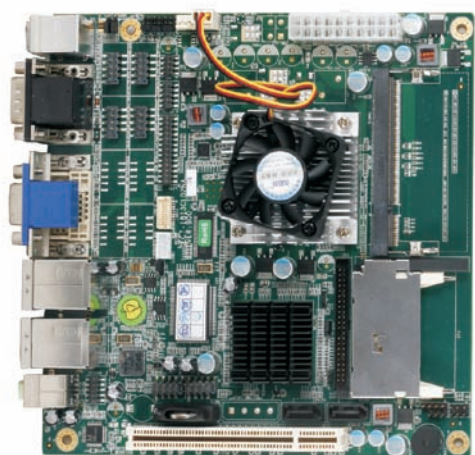


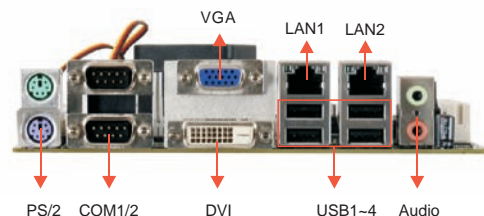
# EC7-1813CLD2NA

Mini-ITX SBC with Intel® Atom D510/410 and VGA/DVI/LVDS/2LAN/Audio

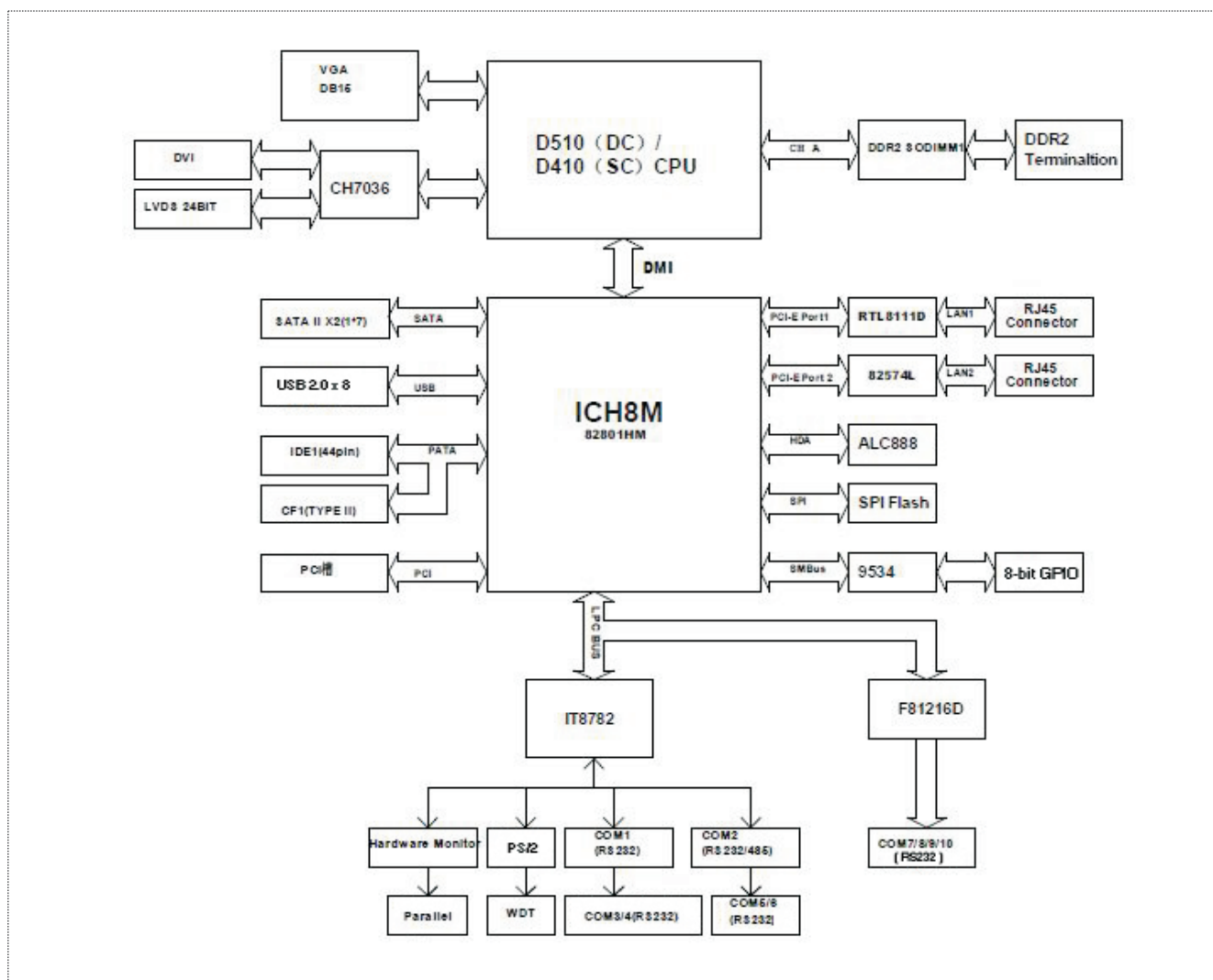
## UNITRONIX Pty Ltd

 PO Box 486, Morisset NSW 2264  
 NSW: Tel: 61 2 4977 3511 Fax: 61 2 4977 3522  
 WA: Tel: 61 8 9455 2424 Fax: 61 8 9455 2458  
 unitsyd@unitronix.com.au www.unitronix.com.au


Unit: mm

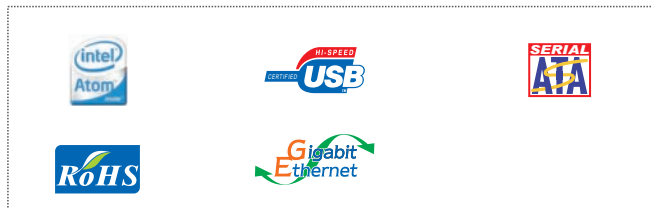


### Board Diagram



### Features

- Mini-ITX SBC onboard Intel® Atom™ D510/410 processor
- Onboard 1 x 200-pin DDR2 memory slot, up to 2GB
- Support 1 x VGA, 1 x 24-bit LVDS, 1 x DVI
- Support 2 x 10/100/1000Mbps Ethernet interface
- Support 8 x USB2.0, 10 x COM, 2 x SATA, 1 x IDE, 1 x CF, 1 x LPT, 1 x 8-bit DIO, 1 x PCI
- Support ATX or AT single 12V input



### Specifications

System	
Processor	Onboard Intel® Atom™ D510 (Dual core) or D410 (single core) processor
Chipset	Intel® ICH8M
Memory	Onboard 1 x 200-pin DDR2 memory Slot, up to 2GB 667MHz
Hardware Monitor	Monitors CPU temperature, voltage and fan speed
Watchdog Timer	1~255 sec./min. timer system reset or interrupt, setup by software
Expansion Interface	1 x PCI
Storage	
IDE	1 x IDE
Serial ATA	2 x SATA II
Floppy	N/A
CF	1 x CF
I/O Interface	
USB	8 x USB2.0
Serial Port	9 x RS232, 1 x RS232/485(COM2), COM1 support wake-up function
Parallel Port	1 x LPT
IrDA	N/A
GPIO	4 x Digital Input, 4 x Digital Output
Audio	Adopt ALC888 audio chip, support HD audio, available interface of Mic-in, Line-in and Line-out

Display	
Chipset	Intel® Atom™ D510/410 Integrated Graphics
Memory	N/A
Resolution	VGA mode: up to 2048 × 1536@60Hz DVI mode: up to 1600 × 1200 LVDS mode: up to 1366 × 768
Dual Display	VGA + LVDS, VGA + DVI
Triple Display	Support triple display
Ethernet	
Chipset	1 x RTL8111D; 1 x Intel® 82574L
Speed	2 × 10/100/1000Mbps
Connector	2 × RJ45
Mechanical and Environmental	
Dimensions(L*W)	170mm(L) x 177.9mm(W) x 41.5mm(H)
Operating Temperature	-10℃~60℃
Storage Temperature	-40℃~75℃
Operating Humidity	5%-95%,non-condensing
Power	
Power Supply	ATX or AT single +12V power supply
Power Consumption	N/A
Operating System	
Windows OS	Windows 2000/ Windows XP
Embedded OS	Linux

### Optional Accessories

Part Number	Name	Description	Qty.
2192-013371	Driver DVD/protective film/RoHS	EC7-1813CLD2NA/VER:B00	1
2360-009091	IDE cable/ROHS	44-Pin (2.0mm) IDE Cable, length: 400mm	1
2360-018021	SATA cable/ROHS	SATA-7 Pin female connector, length: 550mm	1
2360-011221	LPT cable/ROHS	DB25 connector to 2 x 13 connector, length: 300mm	1
2360-024321	USB cable/ROHS	Two USB ports to one 2 x 5 pin connector with bracket, length: 300mm	2
2360-008351	COM cable/ROHS	DB9 connector to 10 Pin (2x5) (2.54mm pitch)connector, length: 300mm	4
2360-006151	PS/2 cable/ROHS	One Mini-DIN port to two PS/2 ports, length: 300mm	1
2360-021231	Audio cable/ROHS	Two audio jacks to one 2 x 5 pin (2.0mm pitch) connector, length: 100mm	1

### Ordering Information

Part Number	Model Number	Description
0030-017851	EC7-1813CLD2NA-D4	Mini-ITX onboard Intel® Atom™ D410/6 x COM/ATX power supply/ROHS
0030-017861	EC7-1813CLD2NA-D4V	Mini-ITX onboard Intel® Atom™ D410/6 x COM/Single +12V power supply/ROHS
0030-017811	EC7-1813CLD2NA-D4V10COM	Mini-ITX onboard Intel® Atom™ D410/10 x COM/Single +12V power supply/ROHS
0030-017801	EC7-1813CLD2NA-D5	Mini-ITX onboard Intel® Atom™ D510/6 x COM/ATX power supply/ROHS
0030-017821	EC7-1813CLD2NA-D5V10COM	Mini-ITX onboard Intel® Atom™ D510/10 x COM/Single +12V power supply/ROHS