



Data Sheet

Fireblade SVME/DMV-682



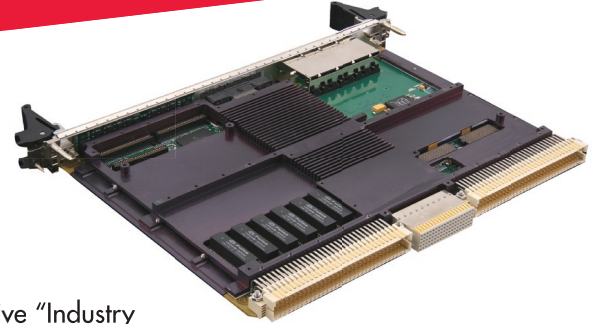
UNITRONIX Pty Ltd

PO Box 486, Morisset NSW 2264

NSW: Tel: 61 2 4977 3511 Fax: 61 2 4977 3522

WA: Tel: 61 8 9455 2424 Fax: 61 8 9455 2458

unitsyd@unitronix.com.au www.unitronix.com.au



Features

- ◆ Managed or unmanaged intelligent multi-layer (Layer 2/3) GbE switch, designed for highest port density in a 6U VME64x form factor
- ◆ Supports complete range of convection- and conduction-cooled formats (IEEE 1101.1, IEEE 1101.2)
- ◆ Data plane designed with Broadcom® StrataXGS® III switch chip with up to 24 wire-speed 10/100/1000MB/s non-blocking, auto-negotiating ports
- ◆ Flexible fast Ethernet, Gigabit Ethernet (GbE) and fiber-optic port combinations
- ◆ Two 10GbE XAUI Interfaces for high-speed backbones or switch expansion
- ◆ Control and management functionality designed using a Freescale Power Architecture™ MPC8245 integrated system controller with 256MB SDRAM, 4MB boot flash, 96MB flash File System Disk
- ◆ Enhanced security with the PMC-110 CryptoNet™ to provide an ICSA certified statefull firewall that protects against evasive attacks
- ◆ Supports both in-band management through any of the 24 ports, and out-of-band management through a serial EIA-232 interface
- ◆ Field Upgradeable through a serial EIA-232 interface or a 10/100Base-TX debug Ethernet interface
- ◆ Fully integrated Layer 2 switching, Layer 3 routing, Quality of Service (QoS), IP multicast, security and network management
- ◆ Intuitive “Industry Standard” Command Line Interface (CLI), Web interface, SNMP interface and Telnet access for easy configuration and network management
- ◆ Fast boot architecture for quick power-up operation
- ◆ Rear Transition Module (RTM) with up to 24 RJ45 ports, one 10/100Base-TX Ethernet and EIA-232 debug port for easy network setup and lab development
- ◆ Front panel LED status indicator provides per port link speed (10, 100 or 1000MB/s) and per-port link activity (receive or transmit)
- ◆ Pin compatible with the VME-680 Switchblade product

Overview

Enabling the vision of Network Centric operations and extending the reach of transformational networks, the VME-682 Fireblade is a rugged GbE multi-layer switch that is ideally suited for building Intra-Platform Networks (IPNs) for air, land, and sea vehicles. VME-682 Fireblade enables fast, reliable forwarding (switching and routing) of control and data packets with up to 24 wirespeed 10/100/1000MB/s interfaces that can be used to connect multiple chassis, cards, or even processors within platform networks. Using star, dual star, mesh and hybrid network topologies, the VME-682 Fireblade provides a flexible cost effective solution that can be used to architect reliable backbone communications infrastructure for current and future networked platforms. Redundancy and fail-over can be implemented using dual star and mesh networks while

Learn More

Web / sales.cwcembedded.com

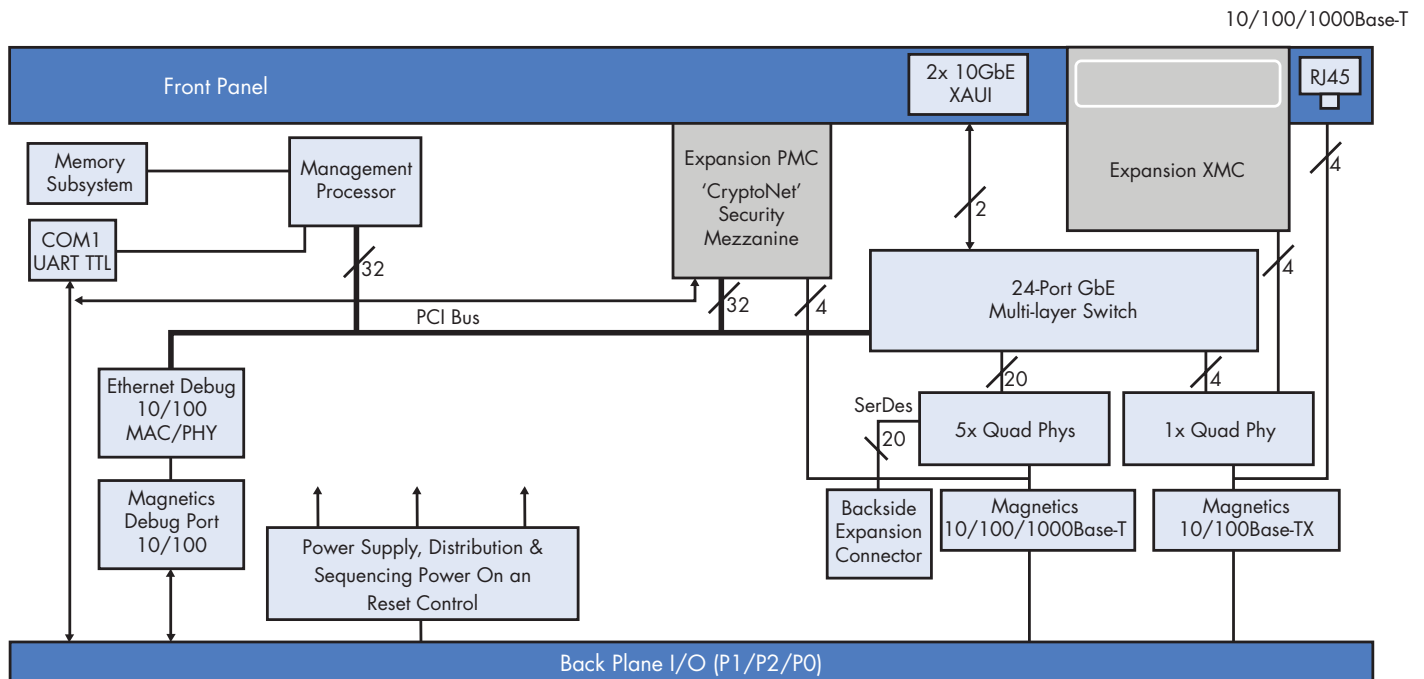
Email / sales@cwcembedded.com

ABOVE & BEYOND

**CURTISS
WRIGHT** Controls
Embedded Computing
cwcembedded.com



Figure 1: SVME/DMV-682 Hardware Block Diagram



investment dollars can be retained by implementing hybrid network topologies that co-exist with legacy and/or next generation interconnection strategies. Ready to deploy, the Curtiss-Wright Controls Embedded Computing VME-682 Fireblade allows systems integrators to reduce development costs and Time-to-Integration (TTI) by simply plugging the VME-682 Fireblade into their 6U VME chassis, connecting the appropriate Ethernet ports, and focusing on the optimal partitioning and segmentation of their application's network.

Designed for Maximum Performance

Allowing system integrators to develop and deploy switch-fabric based architectures today, the VME-682 Fireblade provides a completely integrated and unified management, control, and data plane solution for wire-speed performance of switched GbE traffic. Whether it is small, medium or larger network, the VME-682 provides unique port combinations that scale, with 20 and 24GbE port versions available. Two additional 10GbE ports are provided on the front of the card, providing high-speed switch expansion or backbone connections.

The VME-682 FireBlade is comprised of a basecard (Figure 1) with 20x 10/100/1000Base-T GbE interfaces routed to the backplane. Four additional GbE ports are available in

three different configurations to suite different system needs. These configurations include: a) 4x 10/100Base-TX routed to the backplane, b) 4x 1000Base-T GbE interfaces routed to the front panel, or c) four optical interfaces available on the front panel through use of optional RazorBlade III expansion modules. Other features of the VME-682 include: optional PMC-110 CryptoNet security module, rear transition module (RTM) for easy RJ45 connectivity in the lab, and front panel LED indicators for port status and activity.

Based on the industry leading Broadcom® StrataXGS® III multi-layer switch, the VME-682 Fireblade data plane is capable of providing up to 24 10/100/1000MB/s Ethernet ports with 64 million packets/second (line rate) aggregate switching capacity. The key features at the core of each Broadcom® StrataXGS® III that facilitate low latency wire-speed performance include 1MB of high-speed fully integrated on-chip packet buffer memory, fast filter processors (FFP) per port, and advanced packet flow control capability per port. The 10GbE XAUI ports can be used for higher port count solutions through switch to switch expansion, or can be used simply as 10GbE uplink/backbone ports used to connect boxes or networks.



Basecards with Flexible Expansion Capability

The VME-682 Fireblade was designed from the ground up to maximize the number of GbE channels within a single VME64x chassis while keeping port combination flexibility in mind. The base card will support various port combinations as listed in the table below.

Table 1: VME-682 Fireblade Port Combinations

Total Port Count	Basecard GbE (rear)	Additional Basecard GbE (front)	Additional Basecard Fast Ethernet (rear)	RIII Fiber-optic-SX (front)	XAUI 10GbE (front)
20	20	-	-	-	-
22	20	-	-	-	2
24	20	4	-	-	-
24	20	-	4	-	-
24	20	-	-	4	-
26	20	-	-	4	2
Routing	P2 & P0	Front Panel	P1	Front Panel	Front Panel

All 20x primary GbE ports of the VME-682 are routed to the backplane (rear panel I/O) over P2 and P0 connectors. Each copper GbE interface is fed through integrated Quad BCM5464 PHY transceivers that are compliant to IEEE 802.3i (10Base-T) 802.3u (100Base-TX), and 802.3ab (1000Base-T) standards. The copper transceivers support MDI/MDX cross over which has the capability of ensuring correct interface operation in the chance that Rx and Tx wiring is crossed. Additionally, Semtech SLVU28-8 transient voltage suppressors are used on all GbE interfaces to protect low voltage, state of the art CMOS semiconductors from transients caused by electro static discharge (ESD), cable discharge events (CDE), lightning and other induced voltage surges.

Figure 2: RazorBlade III provides four 1GbE Fiber-optic 1000Base-SX interfaces and extends the VME-682 Fireblade to a full 24GbE ports within a single VME slot.



The 20-port version of the VME-682 Fireblade can be extended to 24-ports with either an optional fiber-optic RazorBlade III Port Expansion Module (which is illustrated in tables 1 and 2), or additional 10/100/1000Base-T Ethernet interfaces integrated right onto the basecard.

RazorBlade III extends the VME-682 Fireblade with four optical fiber SX interfaces out the front (as seen in Figure 2). Using the Stratos Lightwave LTK-ST11H transceivers, the IEEE 802.3z 1000Base-SX standard is fully supported.

Table 2: RazorBlade III

Item	RazorBlade III
Card Format	XMC
Transceiver	LTK-ST11H*
Interface Type	1000Base-SX
Optical Wavelength	850nm
Optical Transmission	VCSEL
Optical Fiber Type	Multimode
Connection Interface	Duplex LC (front)
Distance	Up to 500m

Advanced Security

The VME-682 Fireblade can also act as a Unified Threat Management (UTM) router that is capable of strong perimeter defense through an ICSA certified firewall. This is achieved with the PMC-110 CryptoNet. This optional security PMC module provides an ICSA statefull firewall that can protect against multiple evasive attacks. Other security features include:

- ◆ Statefull firewall (ICSA certified)
- ◆ Access control list (ACL) filtering
- ◆ Network Address Translation (NAT)
- ◆ Encryption/Decryption/Authentication
- ◆ Basic key generation/management
- ◆ Enables VPN with secure tunneling (IPSec/L2TP)

The PMC-110 CryptoNet connects to the StrataXGS® III multilayer switch and can be managed through a serial EIA-232 port.



Managed vs. Unmanaged Switches

Both managed and unmanaged versions of the VME-682 Fireblade are available. The unmanaged version is a cost effective option that functions only as a L2 switch with minimal software and fast boot time. The managed version is a L2/L3 router with complete managed L2/L3 software, Quality of Service (QoS), IP multicasting, and basic security. Management interfaces include “industry standard” CLI, SNMP, and web for easy configuration and network management. (Please refer to Table 3 for Management Interfaces and Connection Strategies.)

Complete Integrated Software Solution

Managed versions of the VME-682 Fireblade provide extensive pre-integrated software that runs on its processor. Major software components include the full suite of Layer 2/3 software protocols required for intelligent switching and routing of IP packets (Figure 4 and Figure 5). Curtiss-Wright Controls also provides extra software features such as declassification, and Built-in Tests (BIT). BIT tests include Power BIT (PBIT), Continuous BIT (CBIT), and Initiated BIT (IBIT). Declassification is a utility that erases the non-essential contents in the Flash File System. This process deletes the routing tables, filters and purges the switch of Ethernet packets and restores default configuration files from flash. This provides an extra layer of memory protection, and the ability to recover default information in the event of corruption.

Systems Integrators can plug the VME-682 into their VME64x chassis and focus on architecting their network through one of many intuitive management interfaces. (Please refer to Table 3.)

Table 3: Management Interfaces and Connection Strategies

Interface	Connection	Client
CLI	- EIA-232 - Any in-band Ethernet port	Terminal Program Telnet
Web	- Any in-band Ethernet port	Web Browser
Network Management Station (NMS)	- Any in-band Ethernet port	Standard off the shelf NMS Software

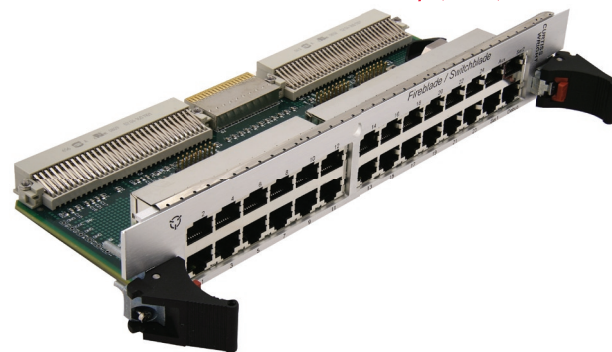
Accessories

For building networks in the lab environment, Curtiss-Wright Controls provides a VME-682 Fireblade RTM that plugs into the backside of the VME64x backplane and provides up to 24-ports of RJ45 connectors (Figure 5). Two versions of the RTM are available, one with a P1 connector (supports full 24 in-band RJ45 ports) and one without a P1 connector (supports 20 in-band RJ45 ports). Both RTMs also provide 1x EIA-232 and 1x 10/100 RJ45 out-of-band debug port, and a reset switch. The EIA-232 port is multiplexed to communicate with either the MPC8245 processor on the basecard or the MPC8555E processor on the Security PMC.

An LED front panel indicator is included in all air-cooled versions of the VME-682 Fireblade cards. For conduction-cooled versions, the LED front panel mezzanine connects to the outside of the thermal frame and is sold separately.

A 10G expansion connector can be used to connect the 2x 10G XAUI ports of one VME-682 to another.

Figure 3: VME-682 Fireblade Accessory (RTM)





Specifications Summary

Table 4: Summary of Hardware Specifications

Specification	Description
Switching Solution	Single Broadcom® StrataXGS® III
Management/Control Processor	MPC8245
Memory	256MB SDRAM with ECC, 4MB boot flash, 32MB fast boot loader, 96MB Flash File System
Ethernet Ports	Up to 24-ports (see Table 1) 10/100/1000Base-T
Serial Port	1x Serial EIA-232 for debug/comm with on-board MPC8245 processor or MPC8555E on security PMC
Debug Port	1x 10/100Base-TX Ethernet port, 1x JTAG connector
Physical Interfaces	Up to 6 BCM5464
Reset Switch	Switch resetable through backplane
LEDS	Status and activity for each port
Power	37W (20-ports) 45W (24-ports) 57W (24-ports + security) 61W (26-port + PMC-110 Security Processor)
Form Factor	6U VME64x (160mm x 233mm)
Ruggedization	Conduction or Convection-cooled per IEEE 1101.1 and 1101.2

Figure 4: The VME-682 Fireblade Software Block Diagram of Basecard Running on MPC8245 Processor

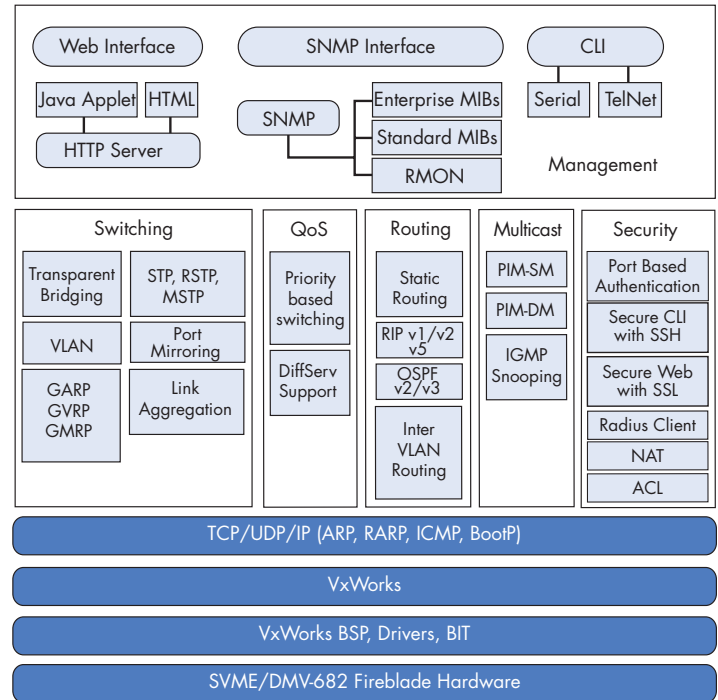


Figure 5: The Enhanced Security Software Block Diagram of PMC-110 CryptoNet Running on MPC8555E Processor

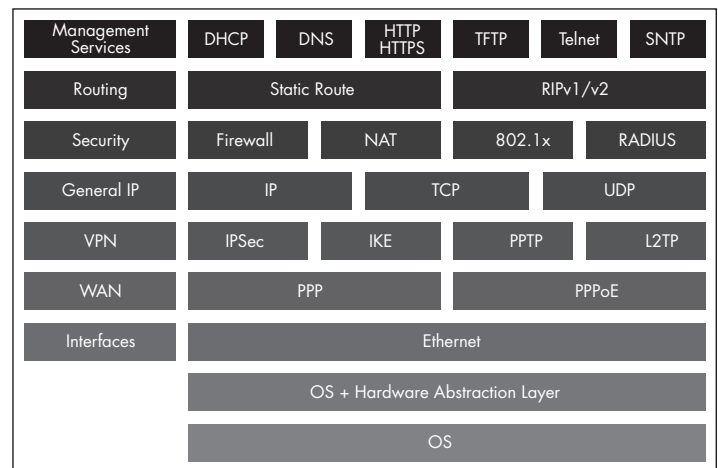




Table 5: Overall Feature Specifications

Feature	Specification
Number of Ports	Up to 24x 10/100/1000Base-T, 4x 10/100Base-TX, 2x 10GbE XAUI, and optional 1000Base-SX Fiber
Out of Band Ports	<ul style="list-style-type: none"> • 10/100Base-TX Ethernet interface for software update • EIA-232 Serial Switch Management Interface • Redundant IPMB I2C System Management Interfaces • JTAG support
Form Factor	<ul style="list-style-type: none"> • Designed specifically for rugged convection and conduction-cooled applications compliant to IEEE 1101.1 and IEEE 1101.2 • 6U VME64x
Throughput	64 million packets/second aggregate switching capacity (24 port version)
Capacity	<ul style="list-style-type: none"> • Packet Buffer 0.75MB pool • Support for Jumbo packets up to 9KB • Up to 8K Layer 2 MAC addresses • Up to 1K Layer 3 IPv6 routes • 4K Virtual LANs supported • 1K Layer 2 Multicast groups • Content Aware Processor
Layer 2 Features	<ul style="list-style-type: none"> • Loop free, Transparent Bridging • Rapid Spanning Tree Protocol (RSTP) • Multiple Spanning Tree Protocol (MSTP) • VLAN Routing and Support • LAN information passing via GARP • VLAN registration passing via GVRP • Propagation of Multicast registration via GMRP • Forwarding Multicast traffic using IGMP Snooping • Increased Bandwidth and load sharing with Link Aggregation • Support for Port Mirroring • Support for Rate Limiting on each port
Layer 3 Features	<ul style="list-style-type: none"> • Unicast routing protocols like RIP, BGP & OSPF • Inter VLAN routing • Quality of Service QoS, in the form of Differential services • Supports both: <ul style="list-style-type: none"> - Differential Services Code Point DSCP mapping - Per Hop behavior • Multicast route computation using PIM & DVMRP <ul style="list-style-type: none"> - SM - sparse mode - DM - dense mode • Redundancy and Load Sharing through VRRP

Feature	Specification
General Features	<ul style="list-style-type: none"> • Support for DHCP Server / BOOTP server • Switch Configuration Save and Restore • Log file download via TFTP • Management of Switch through <ul style="list-style-type: none"> - SNMP - WebNM - CLI • Secure management interfaces through secure http (SSL) and secure shell (SSH) • RMON System probe for groups: 1 (Statistics), 2 (History), 3 (Alarm), and 9 (Events) • Power On Built-in Self Test



Table 6: Summary of Software Specifications*

Feature	Standard
MIB Support	
MIB II	RFC 1213
MIB II for SNMPv2c	RFC 1907, 3418
SNMP Community MIB	RFC 3548
SNMP Message Processing and Dispatching MIB	RFC 3412
SNMP Notification MIB	RFC 3413
SNMP Target MIB	RFC 3413
SNMP User Based Security Model MIB	RFC 3414
SNMP View Based Access Control MIB	RFC 3415
Interface group MIB	RFC 2233
Bridge MIB	RFC 1493
MIB for Ethernet-like interfaces (requires support in hardware)	RFC 2665
VLAN MIB	RFC 2674
Spanning Tree Protocol MIB	RFC 1493
Rapid STP MIB	Draft/Prop MIB
Multiple STP MIB	Prop MIB
Link Aggregation MIB	IEEE 802.3ad, additional Prop MIB
Port-based Network Authentication Control MIB	IEEE 802.1X
IPv4 MIB	RFC 2011, 2013, 2096, Prop MIB
IGMP MIB	RFC 2933
DHCP	Prop MIB
RIP v1/v2 MIB	RFC 1723, 1724, 2453, Prop MIB
Radius Client MIB	RFC 2618
OSPFv2 MIB	RFC 1850, Prop MIB
PIM MIB	RFC 2934, Prop MIB
BGPv4 MIB	RFC 1657, Prop MIB
DVMRP MIB	Prop MIB
VRRP MIB	RFC 2787
Tunnel MIB	Prop MIB
IPv6 MIB	RFC 2465, Prop MIB
MLD MIB	RFC 3019, Prop MIB
RIPv6 MIB	Prop MIB
OSPFV3	Draft, Prop MIB

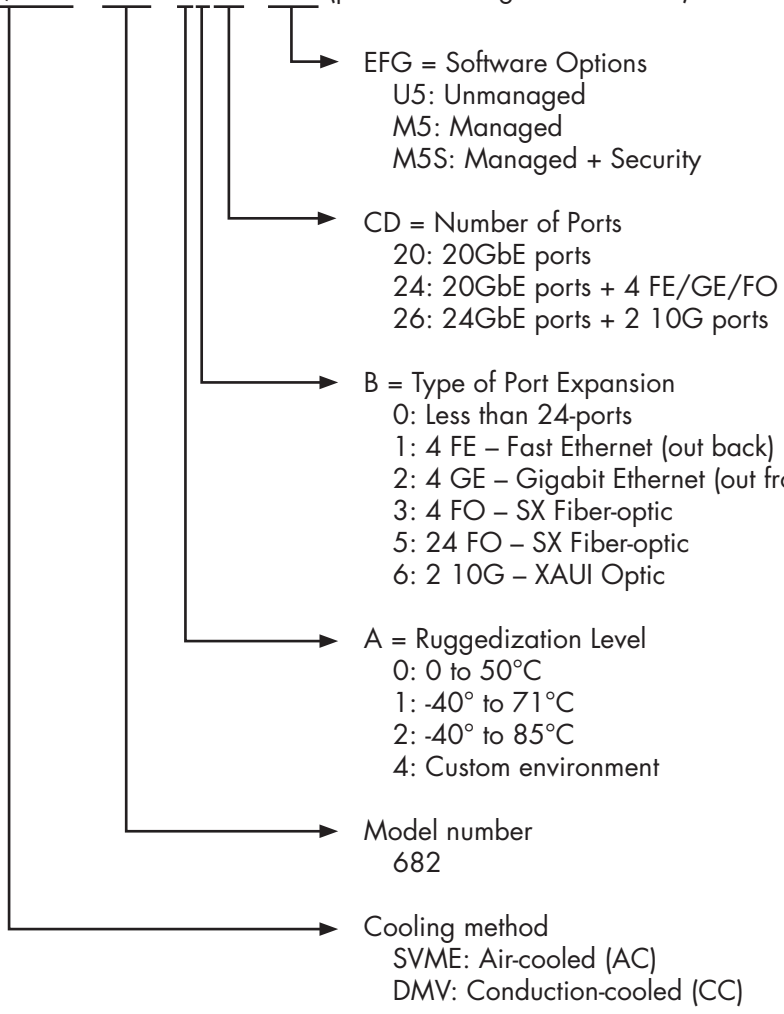
Feature	Standard
Management & Administration	
SNMP v1/v2c/v3 (Both IPv4 and IPv6 based)	RFC 1155, 1157, 1212, 1213, 1215, 1905, 2089, 2578, 3411, 3412, 3413, 3414, 3415, 3416, 3417 (partial), 3584
CLI (Telnet and console) (both IPv4 and IPv6 based)	-
CLI command completion (using Tab)	-
Context Sensitive Help in CLI	-
Multi-session telnet server	-
Web UI (embedded HTTP server) (both IPv4 and IPv6 based)	RFC 1945
Multiple levels of user privileges (CLI And WebUI)	-
TLS Protocol	RFC 2246
SSL Protocol Version 3.0	RFC 2246
SSH Protocol Architecture	Draft
SSH Transport Layer Protocol	Draft
SSH Authentication Protocol	Draft
SSH Connection Protocol	Draft
MIB save/restore using FLASH	-
MIB save/restore through TFTP	-
Trace route logging	-
Log file upload to remote system	-
IP authorized managers	-
Enterprise OID support	-
Chassis Management	-
Power over Ethernet support	IEEE 802.1af
Statistics	
RMON (1, 2, 3 & 9 groups)	IEEE 2819
Port Mirroring	-
Other	
Broadcast Storm Control	-
Stacking Support	-

*Note: Not all RFCs may be listed here. Please contact your local Sales Representative for complete RFC information.



Check with your local Curtiss-Wright Controls representative for availability for specific part numbers.

SVME/DMV - 682 - ABCD - EFG (part numbering for the Switch)



RTM – 682 – 002X (part numbering for the RTM accessory)
 X = Number of Ports
 0: 20 RJ45 ports (no P1)
 4: 24 RJ45 ports

LED – 682 – 0024 (part number for LED plate accessory – required only for conduction cooled versions)

CBL – 682 – 0000 (part number for 10G expansion connector)

Warranty

This product has a one year warranty.

Contact Information

To find your appropriate sales representative, please visit:

Website: www.cwembedded.com/sales

Email: sales@cwembedded.com

Technical Support

For technical support, please visit:

Website: www.cwembedded.com/support1

Email: support1@cwembedded.com

The information in this document is subject to change without notice and should not be construed as a commitment by Curtiss-Wright Controls Embedded Computing. While reasonable precautions have been taken, Curtiss-Wright Controls assumes no responsibility for any errors that may appear in this document. All products shown or mentioned are trademarks or registered trademarks of their respective owners.