

General Standards Corporation

High Performance Bus Interface Solutions

66-18AI32SSC1M

18-Bit, 32-Channel, Differential, 1.0 MSPS,

Simultaneous Sampling PMC Analog Input Board

With 1.0 MSPS Sample Rate per Channel and 66 MHz PCI Support

Available in PMC, PCI, cPCI and PC104-Plus and PCI Express form factors as:

PMC66-18AI32SSC1M:	PMC, Single-width
PCI66-18AI32SSC1M:	PCI, short length
Cpci66-18AI32SSC1M:	cPCI, 3U
PC104P66-18AI32SSC1M:	PC104-Plus
PCle66-18AI32SSC1M:	PCI Express
PCle10466-18AI32SSC1M:	PCle, one-lane on PC/104 form factor

UNITRONIX Pty Ltd

PO Box 486, Morisset NSW 2264
NSW: Tel: 61 2 4977 3511 Fax: 61 2 4977 3522
WA: Tel: 61 8 9455 2424 Fax: 61 8 9455 2458
unitsyd@unitronix.com.au www.unitronix.com.au

See Ordering Information for details.

Call for availability of other form factors, such as XMC, CCPMC, etc.

Features

- 32 Differential Analog Inputs with dedicated 1.0MSPS SAR 18-Bit or 16-Bit ADC per channel. The result is an exceptional combination of precision, throughput and channel density on PMC.
- Simultaneous Sampling of all inputs; minimum data skew
- Sampling rates from zero to 1.0 MSPS per channel; 32 MSPS aggregate rate
- True Differential high-impedance inputs minimize system interference
- Input ranges: $\pm 10V$ or $\pm 5V$; software-selectable. $\pm 2.5V$ or $\pm 1.25V$ ranges available.
- FIFO data buffer stores 512K-Samples of 16-Bit data, or 256K of 18-Bit data
- SAR (successive approximation) ADCs provide true simultaneous sampling without a minimum sample rate limitation
- D32; 66MHz/33MHz PCI compatibility, with universal 5V/3.3V signaling
- 2-Channel DMA engine supports both block and demand mode DMA transactions
- Sampling controlled by internal rate generators, by a software trigger, or externally
- Continuous, burst and single-sample clocking modes
- Hardware sync I/O for multiboard operation through both front-panel and internal ports
- On-Demand autocalibration of all channels.
- **Optional continuous low-drift calibration at lower sample rates.**
- Completely software-configurable; No field jumpers
- Single-width PMC form factor with integral EMI shield
- Available with 16-Bit native resolution at reduced cost

Typical Applications

- | | | |
|-------------------------------|-----------------------------|--------------------------|
| ✓ High-Accuracy Analog Inputs | ✓ Industrial Robotics | ✓ Acoustic Sensor Arrays |
| ✓ Analog Event Capture | ✓ Biometric Signal Analysis | ✓ Dynamic Test Systems |

Rev: 081510

General Standards Corporation

8302A Whitesburg Drive · Huntsville, AL 35802

Phone: (256) 880-8787 or (800) 653-9970 FAX: (256) 880-8788 Email: Solutions@GeneralStandards.com

Functional Description

The PMC66-18AI32SSC1M analog input board samples and digitizes up to 32 input channels simultaneously at rates up to 1,000,000 samples per second for each channel. Native conversion resolution is available as either 18 bits or 16 bits. Data on native 18-Bit boards can be configured as either 16 or 18 bits. Each input channel contains a dedicated successive-approximation (SAR) ADC, the sampled data from which is error-corrected and routed to the PCI bus through a 1-MByte FIFO buffer. The 32-Bit local data path supports full D32 local-bus data packing for 16-Bit data. Throughput performance is further enhanced with 66MHz PCI support. All operational parameters are software configurable.

Inputs can be sampled in groups of 2, 4, 8, 16, or 32 channels, or any contiguous channel group can be designated for acquisition. The sample clock can be generated from an internal rate generator, or by software or external hardware. Input ranges are software-selectable as $\pm 10V$ or $\pm 5V$, or optionally as $\pm 2.5V$ or $\pm 1.25V$. Continuous background calibration can be invoked at lower sample rates.

An on-demand autocalibration feature determines offset and gain correction values for each input channel, and applies the corrections subsequently during acquisition. For low sample rates, below 750SPS, continuous autocalibration can be invoked to minimize both short-term and long-term drift errors. A selftest switching network routes calibration reference signals to each channel through internal selftest switches, and permits board integrity to be verified by the host.

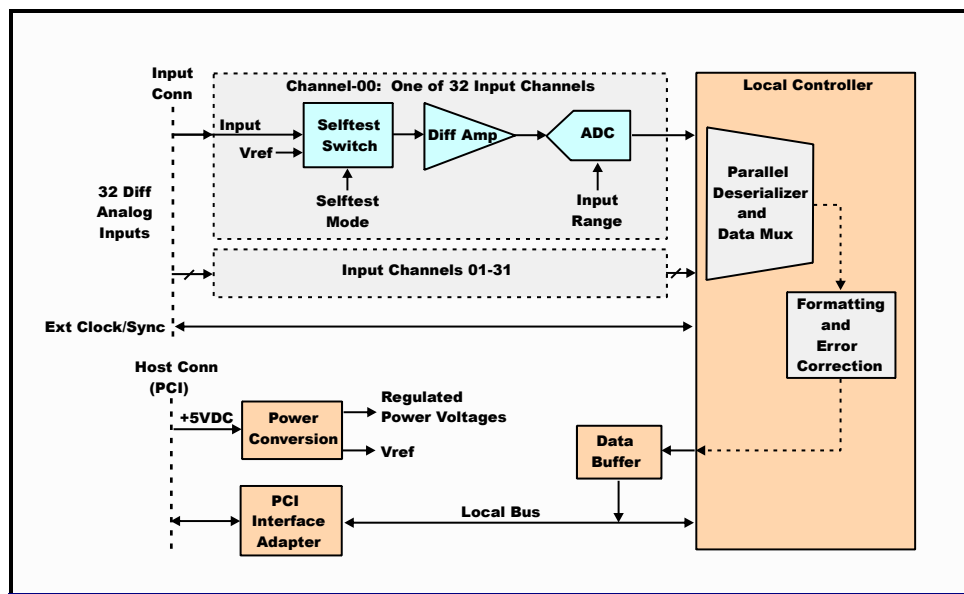


Figure 1. PMC66-18AI32SSC1M; Functional Organization

This product is functionally compatible with the IEEE PCI local bus specification Revision 2.3. System connections are made through a high-density front-panel I/O connector. Power requirements consist of +5 VDC in compliance with the PCI specification, and operation over the specified temperature range is achieved with standard convection cooling.

Performance Specifications

At +25 °C, with specified operating conditions.

Input Characteristics:

Configuration:	32 differential analog input channels. Also available with 4, 8 or 16 channels.
Voltage Ranges:	Software configurable as $\pm 10V$ or $\pm 5V$ fullscale. Optionally $\pm 2.5V$ or $\pm 1.25V$.
Input Impedance:	2.0 Megohms typical, line-line. 1 Megohm line-ground..
Bias Current:	100 nA maximum
Common Mode Rejection:	60dB typical, DC-50kHz
Maximum Input Voltage	$\pm 11V$ relative to input return, for rated performance. $\pm 6V$ for the Low-range option.
Crosstalk Rejection:	85dB typical, DC-100kHz
Input Noise:	0.3mVRMS for native 18-Bit configuration; 0.4mVRMS for the 16-Bit configuration; typical <i>on all ranges</i> .
Overvoltage Protection:	± 30 Volts with power applied; $\pm 15V$ with power removed.

Transfer Characteristics:

Sample Rate Range:	Zero to 1,000,000 samples per second; all channels simultaneously
Channels per Sample:	1-32.
Input Bandwidth (-3dB):	DC to 800 kHz typical.

	Native 18 Bits			Native 16 Bits		
Resolution:	18 Bits			16 Bits		
DC Accuracy: (Maximum composite error after autocalibration)	<u>Range</u>	<u>Zero-Input</u>	<u>\pmFullscale</u>	<u>Range</u>	<u>Zero-Input</u>	<u>\pmFullscale</u>
	$\pm 10V$	$\pm 0.4mV$	$\pm 0.9mV$	$\pm 10V$	$\pm 0.8mV$	$\pm 2.0mV$
	$\pm 5V$	$\pm 0.3mV$	$\pm 0.6mV$	$\pm 5V$	$\pm 0.6mV$	$\pm 1.4mV$
	$\pm 2.5V^*$	$\pm 0.2mV$	$\pm 0.5mV$	$\pm 2.5V^*$	$\pm 0.5mV$	$\pm 1.0mV$
	$\pm 1.25V^*$	$\pm 0.2mV$	$\pm 0.4mV$	$\pm 1.25V^*$	$\pm 0.4mV$	$\pm 0.8mV$
Integral Nonlinearity:	± 0.0015 percent of FSR			± 0.007 percent of FSR		
Differential Nonlinearity:	± 0.0008 percent of FSR			± 0.004 percent of FSR		

* Optional low range set.

Analog Input Operating Modes and Controls:

Input Data Buffer:	1 Megabyte FIFO; 32bits x 256K: 512K-Samples for 16-Bit packed data, or 256K-Samples for 18-Bit data
Input Data Format:	Configurable on native 18-Bit boards as 18 or 16 bits. Nonpacked Mode: 18-Bit or 16-Bit data word plus single-bit Channel-00 tag. 16-Bit data only, on native 16-Bit board. Packed Mode (16-Bit data only): Lword sync code followed by packed channel data, with two data values per Lword.
Data Coding:	Selectable as offset binary or two's complement.
Sample Clock and Sync (trigger) Sources:	Two internal rate generators; External Hardware Clock and Sync I/O, Software clock. Continuous and burst clocking Modes.
Rate Generators:	Programmable from 1,000,000Hz down to 0.01Hz when cascaded. Each generator divides the local master clock through a 16-Bit counter. The standard master clock frequency is 36.000 MHz. See ordering information for custom frequencies.
External Clock and Sync:	Bidirectional TTL lines; Zero to 1,000,000 sample clocks per second. Zero to 250,000 burst triggers per second Available through the I/O connector and through a connector located on the back (Side-2) of the board.

Autocalibration:

On-Demand Autocal

Calibration of all channels is performed on-demand by a single software command. Acquisition is suspended during on-demand autocalibration, but the calibration can be applied at all sample rates.

Continuous Autocal:
(Low-Drift autocal)

Calibration of all channels is performed continuously in the background while the continuous autocal mode is selected, and acquisition is not interrupted. Continuous autocal is effective only at sample rates not exceeding approximately 750 samples per second. Availability of this software-selectable low-drift calibration feature is an ordering option, and does not affect the use of normal on-demand autocalibration .

Physical Parameters

PCI Compatibility:

Conforms to PCI Specification 2.3, with 66MHz/33MHz, D32 and universal signaling (5/3.3 Volt).

Single multifunction interrupt.

DMA transfers in block or demand mode as bus master Two DMA channels available.

Power Requirements:

+5VDC \pm 0.2 VDC at 1.5 Amps maximum, 1.3 Amps typical.

Maximum Power Dissipation: Side-1: 6.0 Watts. Side 2: 1.5 Watts.

Mechanical Characteristics (PMC Form Factor)

Height: 13.5 mm (0.53 in)

Depth: 143.75 mm (5.66 in)

Width: 74.0 mm (2.91 in)

Environmental Specifications

Ambient Temperature Range:

Standard Temperature:

Operating: 0 to +65 Degrees Celsius inlet air

Storage: -40 to +85 Degrees Celsius

Extended Temperature:

Operating: -40 to +80 Degrees Celsius inlet air

Storage: -40 to +85 Degrees Celsius

Relative Humidity:

Operating: 0 to 80%, non-condensing

Storage: 0 to 95%, non-condensing

Altitude:

Operation to 10,000 ft.

Cooling:

Conventional convection cooling; 150 LFPM

Ordering Information

Specify the basic product model number followed by an option suffix "-A-B-C-D-E", as indicated below. For example, model number PMC66-18AI32SSC1M-32-18B-0-0 describes a PMC module with 32 input channels, 18-Bit ADC resolution, standard master clock frequency and input range set.

Basic Model Number	Form Factor
PMC66-18AI32SSC1M	PMC (Native)
PCI66-18AI32SSC1M ¹	PCI, short length
Cpci66-18AI32SSC1M ¹	cPCI, 3U
PCle66-18AI32SSC1M ¹	cPCI, 3U
PC104P66-18AI32SSC1M	PC104-Plus
PCle10466-18AI32SSC1M ^{1,2}	PCle, one-lane on PC/104 form factor

¹ Module installed and tested on an adapter, with mechanical and functional equivalency. Contact factory for availability in native form factors.

² PCle104 supports only the PCle bus.

Optional Parameter	Value	Specify Option As:
Number of Input Channels	32 Channels	A = 32
	16 Channels	A = 16
	8 Channels	A = 8
	4 Channels	A = 4
ADC Resolution	18 Bits	B = 18B
	16 Bits	B = 16B
Master Clock Frequency: (Standard frequency is 36 MHz)	36.000 MHz	C = 36M
	Specify custom frequency; (36-40) MHz	C = (Custom frequency)M
Input Range Set:	High set: Selectable as $\pm 10V$ or $\pm 5V$.	D = 10V or '0'
	Low set: Selectable as $\pm 2.5V$ or $\pm 1.25V$.	D = 2.5V
Low Drift Option: (Continuous autocal)	No Low-drift Option	E = RevA or Blank
	Low-Drift Option installed	E = RevB

General Standards Corporation

8302A Whitesburg Drive · Huntsville, AL 35802

Phone: (256) 880-8787 or (800) 653-9970 FAX: (256) 880-8788 Email: Solutions@GeneralStandards.com

System Interface Connector

Table 1. System I/O Connector

ROW-A		ROW-B	
PIN	SIGNAL	PIN	SIGNAL
1	INP00 LO	1	INP17 LO
2	INP00 HI	2	INP17 HI
3	INP01 LO	3	INP18 LO
4	INP01 HI	4	INP18 HI
5	INP02 LO	5	INP19 LO
6	INP02 HI	6	INP19 HI
7	INP03 LO	7	INP20 LO
8	INP03 HI	8	INP20 HI
9	INP04 LO	9	INP21 LO
10	INP04 HI	10	INP21 HI
11	INP05 LO	11	INPUT RTN
12	INP05 HI	12	INPUT RTN
13	INPUT RTN	13	INP22 LO
14	INPUT RTN	14	INP22 HI
15	INP06 LO	15	INP23 LO
16	INP06 HI	16	INP23 HI
17	INP07 LO	17	INP24 LO
18	INP07 HI	18	INP24 HI
19	INP08 LO	19	INP25 LO
20	INP08 HI	20	INP25 HI
21	INP09 LO	21	INP26 LO
22	INP09 HI	22	INP26 HI
23	INP10 LO	23	INPUT RTN
24	INP10 HI	24	INPUT RTN
25	INP11 LO	25	INP27 LO
26	INP11 HI	26	INP27 HI
27	INPUT RTN	27	INP28 LO
28	INPUT RTN	28	INP28 HI
29	INP12 LO	29	INP29 LO
30	INP12 HI	30	INP29 HI
31	INP13 LO	31	INP30 LO
32	INP13 HI	32	INP30 HI
33	INP14 LO	33	INP31 LO
34	INP14 HI	34	INP31 HI
35	INP15 LO	35	INPUT RTN
36	INP15 HI	36	INPUT RTN
37	INP16 LO	37	DIG RTN
38	INP16 HI	38	CLOCK I/O
39	INPUT RTN	39	DIG RTN
40	INPUT RTN	40	SYNC I/O

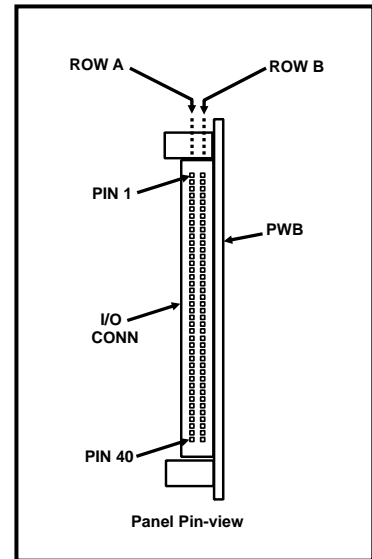


Figure 2. System I/O Connector

System Mating Connector:

Standard 80-pin 0.050" dual-ribbon socket connector:

Robinson Nugent **P50E-080S-TG** or equivalent.

Table 2. Clock and Sync-I/O Connector

PIN	SIGNAL
1	DIG RTN
2	AUX CLOCK
3	DIG RTN
4	AUX SYNC
5	DIG RTN
6	Reserved. Ground or leave disconnected.

Recommended mating cable connector is Molex# 51146-0600.

General Standards Corporation assumes no responsibility for the use of any circuits in this product. No circuit patent licenses are implied. Information included herein supersedes previously published specifications on this product and is subject to change without notice.

General Standards Corporation

8302A Whitesburg Drive · Huntsville, AL 35802

Phone: (256) 880-8787 or (800) 653-9970 FAX: (256) 880-8788 Email: Solutions@GeneralStandards.com