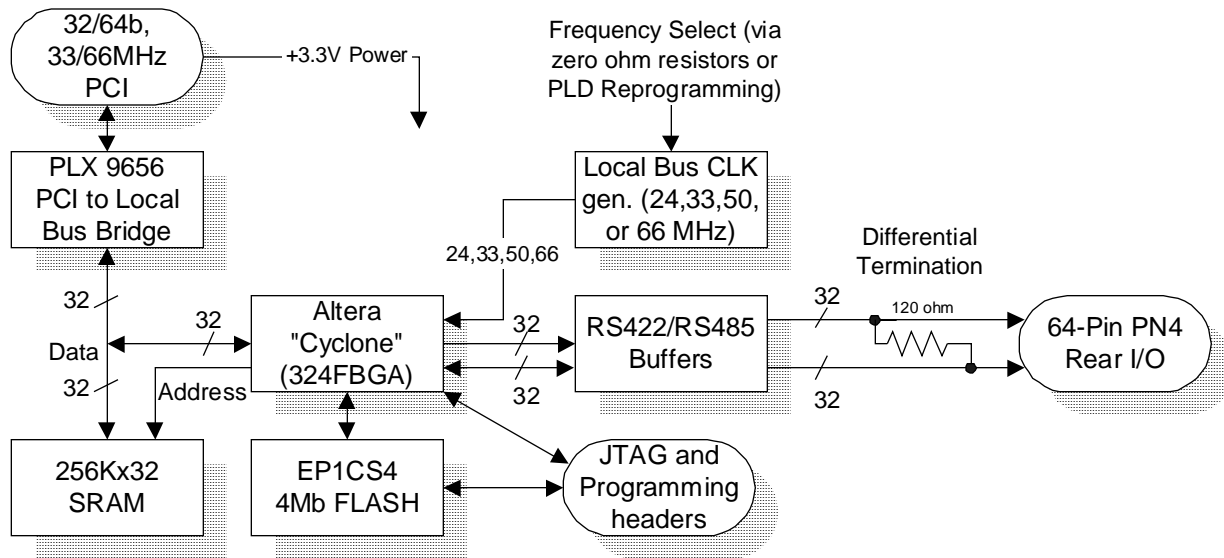


Conduction Cooled 32-Channel RS485/422 Differential PMC



The Conduction Cooled 32-channel Reconfigurable RS422/RS485 Digital I/O PMC provides a vehicle for implementing complex user-specific digital designs requiring a differential interface. Thirty-two (32) general-purpose RS422/RS485 driven digital I/O differential pairs are wired to the rear PN4 connector. For each of the 32 channels, the bidirectionality is controlled by an output from the FPGA.

This product is a conduction cooled version of the P/N 4289 board. All features of the 4289 are retained, except the ICS1522 PLL has been eliminated in favor of using the Cyclone internal PLLs and the differential I/O is available at PN4 only. Also, the board is powered from the host strictly by the 3.3V supply while the original 4289 was powered strictly by the 5V. The host must now support 3.3V power to the PMC, 5V power is no longer needed.

This product is ruggedized by using Industrial Temperature Range parts (-40 to +85 deg C) throughout and also by incorporating VITA 20 "Conduction Cooled" PMC features. Additional "anti-fretting" holes per a recent revision of the VITA 20 standard are available as well as the secondary thermal interfaces for heat conduction. SN65HVD10QD RS485 chips are used with an upper operational temperature of +125 degrees C. Finally, the board is conformally coated as a standard feature.

The product uses an Altera "Cyclone" FPGA in a 324 Fine-Line FPGA. This package spans the 4K, 12K, and 20K logic element parts. The standard, stocked product uses an EP1C12F32417 density/speed part (with 12K LEs). For ease of migration, the Cyclone BGA pin-out is the same as on the 4289 board.

Each of the 32 differential pairs is terminated with a 120 ohm parallel resistance or an R/C termination as shown in the block diagram. Individual resistors are used with each differential pair, allowing for easy removal or value change on a per-channel basis.

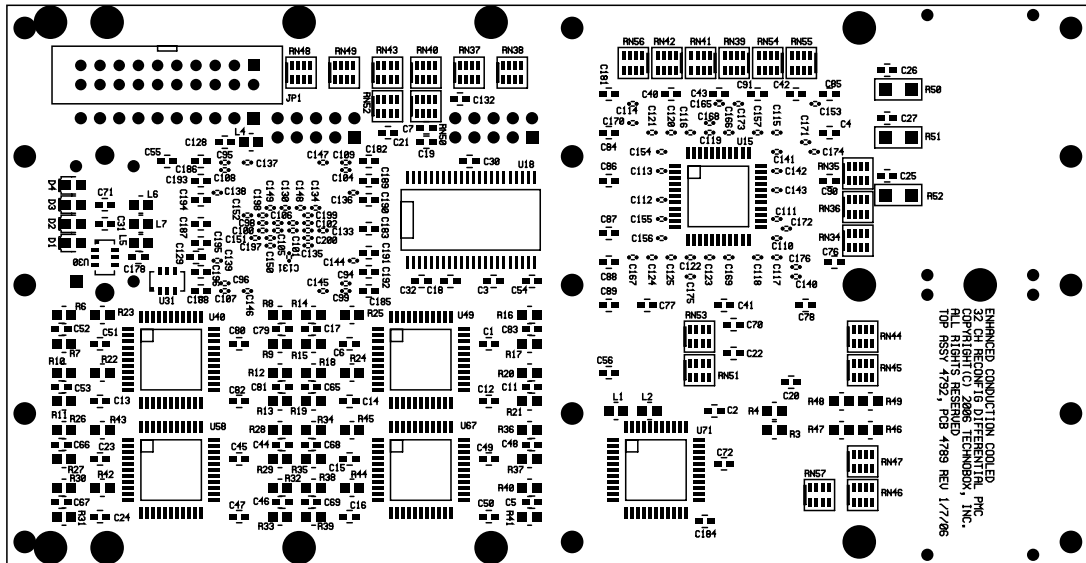
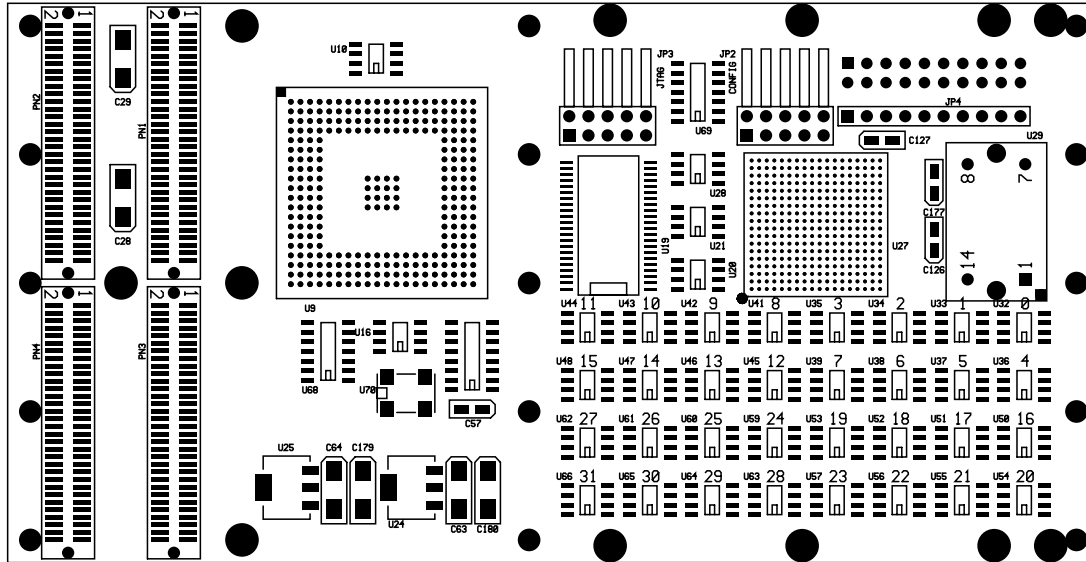
With the proper FPGA design the 256K x 32b SRAM provided on the PMC is accessible from the Altera part as well as the PCI interface. The 32-bit data bus is shared between the ALTERA and the PCI interface devices. The SRAM address is driven by ALTERA outputs. This technique allows a variety of memory architectures for the SRAM: single-port SRAM, dual-port SRAM, one or more FIFOs, and even linked list structures for more complex applications.

The PLX local bus clock is selectable as 24 (default), 33, 50, or 66 MHz using resistor-jumpers. Alternately, an ALTERA PLD on the board can be reprogrammed to provide virtually any local bus clock.

On power up, the Altera FPGA configuration cells are automatically loaded from a serial EPROM located on the PMC. The user may override this default configuration by dynamically reprogramming the FPGA from the host processor, or by in-circuit burning of the re-programmable FLASH EP1CS4 chip with the user's application. Two 10-pin headers are provided for development with ByteBlaster cables — one for the JTAG connection and the other for programming the EP1CS4.

An example implementation of a digital I/O board with dual-port access to the SRAM and corresponding "C" source code running in the host is provided with the product. QUARTUS development software is available directly from Altera.

Conduction Cooled 32-Channel RS485/422 Differential PMC



Product Summary

Technobox Part Number:	4792 (w/EP1C12F32417)
Typical Power Dissipation:	TBD
Power Supplies Required:	+3.3V only
PCI Signaling Environment:	5V or 3.3V, 32/64b, 33/66MHz

UNITRONIX Pty Ltd
 PO Box 486, Morisset NSW 2264
 NSW: Tel: 61 2 4977 3511 Fax: 61 2 4977 3522
 WA: Tel: 61 8 9455 2424 Fax: 61 8 9455 2458
 unitsyd@unitronix.com.au www.unitronix.com.au