

# MIL-6800

10.4" Intel® Core™ 2 Duo Rugged Portable Workstation



## Features

- Low Reflective 10.4" TFT LCD w/ Resistive Touch Screen
- Mil-Std-810F Anti-Shock & Vibration
- Rain & Dust Resistant (IP68 Compliant)
- Wide Temp. (-40 ~ 60°C) Operation
- Multi-expansion (Built-in PCMCIA, CompactFlash, and Mini PCI Socket)
- AC (Default) or DC (9-36V or 48V) Power Input
- 4 or 8 x RS-422 Ports Expansion (Optional)
- High Brightness 1,000 cd/m<sup>2</sup> Sunlight Readable LCD Panel (Optional)

## System

<b>CPU</b>	Intel® Core™ Duo ULV U2500 1.2GHz (FSB 533MHz) CPU
	Intel® Core™ 2 Duo ULV U7500 1.06GHz (FSB 533MHz) CPU
<b>Cache</b>	2M
<b>Memory</b>	1 x 200-pin DDRII SO-DIMM (1GB)
<b>Chipset</b>	Intel® 945GME + ICH7M
<b>Audio Controller</b>	ALC262 AC97 Codec
<b>Ethernet</b>	1 x Agere Et1310 Gigabit Ethernet
<b>Storage</b>	1 x 1.8" SATA SSD 4GB built-in (optional to 64GB)

## I/O

<b>I/O Ports</b>	1 x COM (RS-232C) port, 1 x VGA (DB-15) port, 1 x Audio (Speaker-out), 1 x Mic-in, 1 x LAN (female RJ-45) port, 2 x USB 2.0 ports
<b>I/O Connector</b>	1 x D38999/26WE35PN (55-pin) Mil-Std I/O connector
<b>I/O Dust Cover</b>	Mil-Std D38999/33W17R
<b>Expansion Bus</b>	1) 1 x PCMCIA slot 2) 2 x Internal Mini-Card slots 3) 1 x CompactFlash (Type II) socket
<b>Function Key</b>	12 x Function Keys (8 x Programmable, F1~ F8)

## LCD Display

<b>Size/Type</b>	10.4" TFT LCD
<b>Max. Resolution</b>	1024 x 768, XGA
<b>Pixel Pitch (mm)</b>	0.264 (H) x 0.264 (V)
<b>Contrast Ratio</b>	600 : 1
<b>Max. Colors</b>	266,144 colors
<b>Luminance</b>	400 cd/m <sup>2</sup> (1,000 cd/m <sup>2</sup> sunlight readable LCD optional)
<b>Viewing Angle (CR&gt;=10)</b>	80°~80° (H); 65°~65° (V)
<b>Backlight MTBF</b>	50,000 hours (20 ~ 35°C)

## Touch Screen

<b>Type</b>	Analog resistive (4-wire)
<b>Light Transmission</b>	80%
<b>Controller Interface</b>	USB Interface

## Power Supply

<b>Adapter In</b>	100 ~ 240VAC
<b>Adapter Out</b>	20VDC, 3.25A, 65W (Max.)
<b>Adapter Connector</b>	Mil-Std D38999 (MS3112E 8-4P)
<b>Battery Type</b>	Li-battery pack
<b>Battery Capacity</b>	3900mAh 6-cells
<b>Battery Operating Time</b>	3 hours

## Mechanical & Environmental

<b>Operating Temp.</b>	-40°C to 60°C (-40°F to 140°F)
<b>Storage Temp.</b>	-40°C to 70°C (-40°F to 158°F)
<b>Dimensions (W x D x H)</b>	340.3 x 50.75 x 225 mm (13.4" x 2" x 8.9")
<b>Weight (Net)</b>	3.5 kg with battery (7.7lb)
<b>IP Rating</b>	IP-68 Rain & Dust Resistant
<b>Shock</b>	40G (11ms, 3 shocks/direction, 6 directions)
<b>Vibration</b>	6G (20 ~ 2000Hz, 3 times direction, 3 axes) (Mil-Std-810F, Method 514.4, Procedure 1 Mil-Std-810F, Method 514.4 & 512.2, Procedure 1)
<b>Case Material</b>	6061-T6 Aluminum Alloy
<b>Case Finish</b>	Hard Anodizing per Mil-A-8625D

## Ordering Information

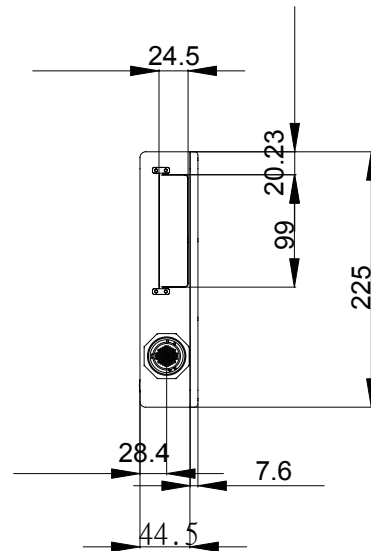
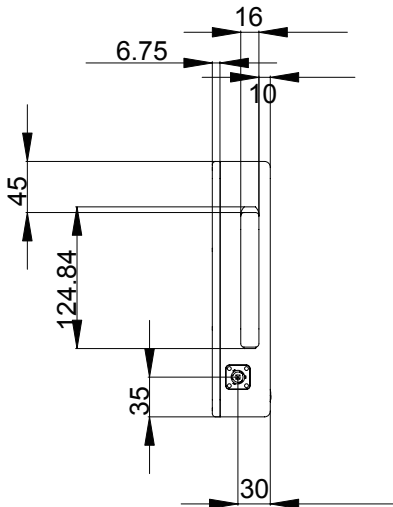
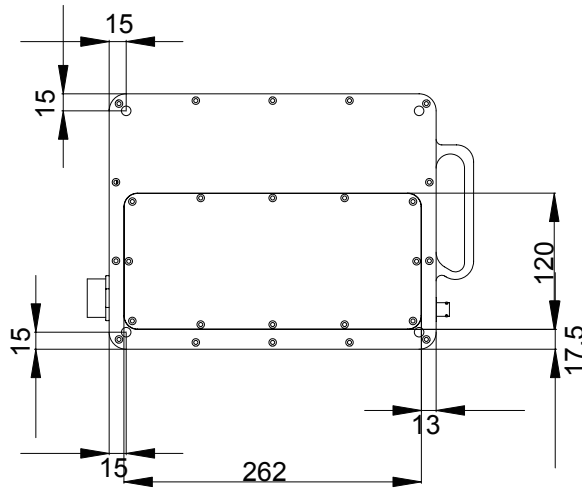
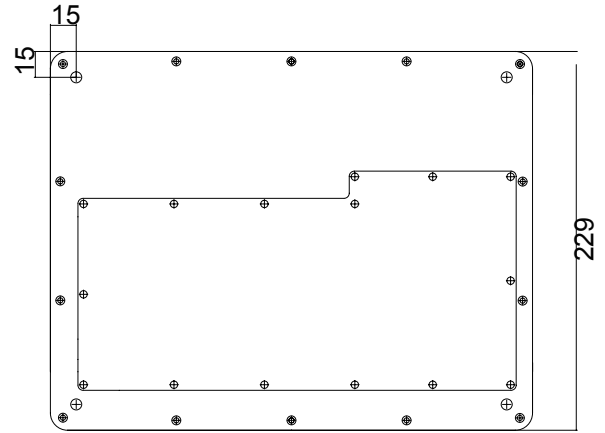
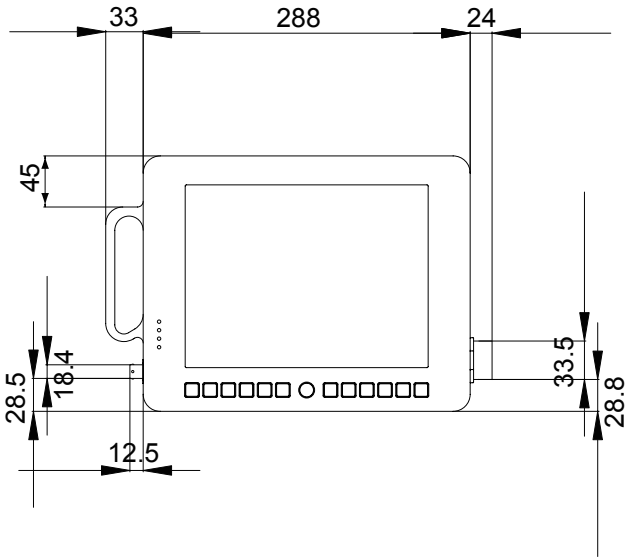
<b>MIL-6800/U2500</b>	10.4" Intel® Core™ Duo U2500 1.2GHz rugged tablet PC with resistive touch screen, 1GB DDRII RAM, 1.8" SATA SSD 4GB, 60W power adapter and carry bag
<b>MIL-6800/U7500</b>	10.4" Intel® Core™ 2 Duo U7500 1.06GHz rugged tablet PC with resistive touch screen, 1GB DDRII RAM, 1.8" SATA SSD 4GB, 60W power adapter and carry bag
<b>UMK-6600</b>	MIL-6600 universal mounting kit
<b>MCK-6600</b>	MIL-6600 Mil-Std I/O cable kit, including 1 x COM (RS-232C) port, 1 x VGA (DB-15) port, 1 x Audio (Speaker-out), 1 x Mic-in, 1 x LAN (female RJ-45) port, 2 x USB 2.0 ports
<b>D38999/26WE35PN</b>	MIL-6600 MIL-STD 55-pin connector
<b>D38999/MS3116F-8-4S (D-D)</b>	MIL-6600 DC-DC 60W power adapter (DC9-36V input)
<b>D38999/MS3116F-8-4S (A-D)</b>	MIL-6600 AC-DC 60W power adapter (AC100-240V input)
<b>Optional</b>	Transportation hard case DC9-36V or DC48V power input 4 or 8 x RS-422 ports expansion module

All specifications are subject to change without notice.



# MIL-6800

10.4" Intel® Core™ 2 Duo Rugged Portable Workstation



Unit:mm

All specifications are subject to change without notice.

Computer on Module

Compact Board

Slot Board

Industrial Motherboard

Wide Temperature

SBC Daughterboard Power Converter Mounting kit

Rugged Tablet PC

Medical PC

Industrial Panel PC/Monitor

Box PC

Industrial Chassis /Backplane/ Power supply