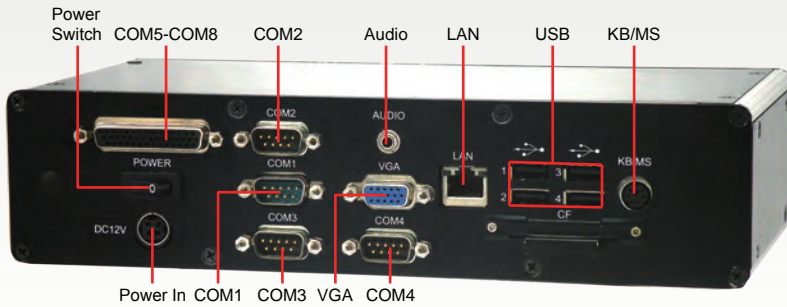


ACS-N0631

8/12 Serial Ports Fanless and Dustproof AMD Geode LX800
Console Server with Isolation



Features

- ✓ AMD Geode LX800
- ✓ 1 x 10/100Mbps LAN
- ✓ 4/8 x Isolated RS-232/422/485
- ✓ 4 x Non-Isolated COM

Console Server

Specification

System	
CPU	Onboard AMD Geode LX800
Chipset	AMD LX800 + CS5536
Front Side Bus	500MHz
Memory	<ul style="list-style-type: none"> • 1 x 200-pin SO-DIMM socket support 200MHz DDR SDRAM up to 1GB • 256MB pre-installed
Video	
Graphic Controller	AMD Geode LX 800 integrated video controller
Video Memory	-
Video Interface	<ul style="list-style-type: none"> • 1 x VGA port (DB15) • 1 x Dual Channel 18-bit LVDS (Pin header)
Storage	
IDE	1 x E-IDE (44-pin)
SATA	-
CF	1 x External Compact Flash Type I/II socket
Disk Bay	1 x Anti-shock 2.5" HDD/SSD bracket
Communication	
Ethernet	1 x 100Mbps RJ45 with LED, Realtek RTL8100C
USB	4 x USB2.0 (4 x external port)
Other Feature	
PS/2	1 x PS/2
Audio	Line -Out
Hardware	<ul style="list-style-type: none"> • CPU voltage
Monitoring	<ul style="list-style-type: none"> • CPU and system temperature
WatchDog Timer	Software programmable 1~63 sec.
Indicator	HDD and Power LED
GPIO	8-bit Digital I/O
Power Requirement	
Power Input	12 (+/-5%) VDC, Lockable DC jack
Power Adaptor	90~264VAC, 96W power adaptor
Software	
OS Support	Windows XP/XP Embedded/CE, Linux

UART Function	
ACS-N0631-8P	<ul style="list-style-type: none"> • 3 x RS-232 (DB9) • 1 x RS-232/422/485 (DB9) • 4 x RS-232/422/485 (DB44 to 4 x DB9)
ACS-N0631-12P	<ul style="list-style-type: none"> • 3 x RS-232 (DB9) • 1 x RS-232/422/485 (DB9) • 8 x RS-232/422/485 (DB44 to 8 x DB9)
ACS-N0631-8PO	<ul style="list-style-type: none"> • 3 x RS-232 (DB9) • 1 x RS-232/422/485 (DB9) • 4 x Isolated RS-232/422/485 (DB44 to 4 x DB9)
ACS-N0631-12PO	<ul style="list-style-type: none"> • 3 x RS-232 (DB9) • 1 x RS-232/422/485 (DB9) • 8 x Isolated RS-232/422/485 (DB44 to 8 x DB9)

- * RS-232/422/485 ports are individually jumper-selectable
- * Automatic RS-485 data flow control
- * 2KV optical isolation protection

Mechanical & Environment	
Thermal Design	Fanless
Chassis Material	Aluminum + Metal
Dimension (W x D x H)	250mm x 117mm x 59mm (9.85" x 4.61" x 2.32")
Operating Temp.	0~45°C (32~113°F)
Storage Temp.	-20~80°C (-4~176°F)
Relative Humidity	0 to 90% @ 40°C, non-condensing
Safety	CE, FCC class A

Packing List	
<ul style="list-style-type: none"> • 1 x ACS-N0631 • 1 x Utility CD • 1 x 60W Power adapter • 1 x AC power cord (USA or EU or UK) • 1 x IDE (44-pin) cable • 1 x KB/MS cable • 1/2 x DB44 to 4 x DB9 cable 	

Ordering Information	
ACS-N0631-aab	ACS-N0631 with 256MB DDR and 60W power adaptor
aa	8P: 8 ports of UART 12P: 12 ports of UART
b	O: with isolated UART - : without isolated UAR

UNITRONIX Pty Ltd

PO Box 486, Morisset NSW 2264
NSW: Tel: 61 2 4977 3511 Fax: 61 2 4977 3522
WA: Tel: 61 8 9455 2424 Fax: 61 8 9455 2458
 unitsyd@unitronix.com.au www.unitronix.com.au