

AR-PA7XXFL-D2550 Series

Unitronix

02 4977 3511

9-37 Currans Road Cooranbong NSW 2265

sales@unitronix.com.au

www.unitronix.com.au

Features

- Variety of LCD Panel Size Selections
- Flat Front Panel with IP65 Design
- Solid Aluminum Die-casting Chassis
- Intel Atom N2600 processor, Dual Core Low Power Fanless System



Specification

Model Name	AR-PA707(P)FL-D2550	AR-PA708(P)FL-D2550	AR-PA710(P)FL-D2550
System			
CPU	Intel Atom Cedar View N2600 1.6GHz Dual Core Processors / Intel Atom D2550 1.8GHz		
System Chipset	Intel NM10		
System Memory	Onboard DDR3 2GB 800 MHz /4GB (Optional for ARCHMI-712(P)/715(P) only)		
Display			
Display Type	7" TFT-LCD	8" TFT-LCD	10.1" TFT-LCD
Max. Resolution	800 x 480	800 x 600	1200 x 800
Max. Color	262 K	16.2 M	262 K
Luminance (cd/m ²)	350	350	350
View angle(H°/V°)	H:140° / V:110°	H:140° / V:125°	H:160° / V:160°
Touch screen			
Type	Resistive Touch / Projected Capacitive Touch (for P model)		
Interface	RS-232 / USB (for P model)		
Light Transmission(%)	80% / 90% (for P model)		
Storage			
HDD	1 x 1.8" SATA2 half size		1 x 2.5" SATA2
Movable device	1 x Internal SD slot		1 x Internal SD slot
I/O Port			
USB	2 x USB 2.0 type A, USB4/5		
Serial/Parallel	1 x RS-232/422/485 DB-9, COM1, Default RS-232 / 1 x RS-232 DB-9, COM2		
Audio	1 x Line out phone jack		
LAN	2 x GbE RJ-45		
Power	3 pins terminal block connector, DC Power input		
Expansion			
On board expansion bus	1 x Mini-PCIe half size		
Power Requirement			
Power Input	9~36V DC		
Power Consumption	Max:12.8W Max:13.0W(P)	Max:15.2W	Max: 11.04W
Software			
OS Support	Windows XP pro / Embedded / CE6.0 / Windows 7 pro for Embedded / Windows Embedded standard 7 (Win 7 support 3D Graphic function)		
Mechanical			
Construction	Sliver aluminum front bezel and chassis		
IP Rating	IP65 front panel		
Mounting	Panel mounting, VESA 75 x 75	Panel mounting, VESA 75 x 75	Panel mounting, VESA 100 x 100
Dimension (mm)	202 x 149 x 39	231 x 176 x 51	282 x 185 x 48
Net Weight (Kgs)	1.2 kg	1.8 kg	2 kg

Environmental

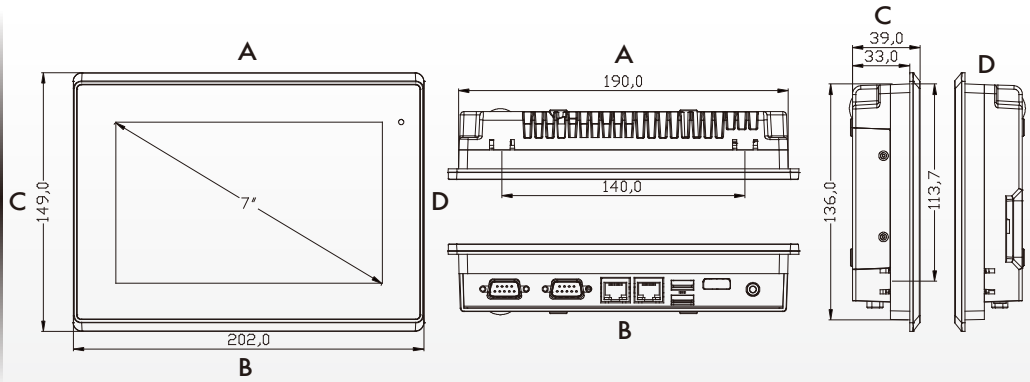
Operating temperature(°C)	0~50°C -20~60°C(option)
Storage temperature(°C)	-20~60°C
Storage humidity	10 to 90% @ 40°C, non- condensing
Certification	CE / FCC Class A

Ordering Information

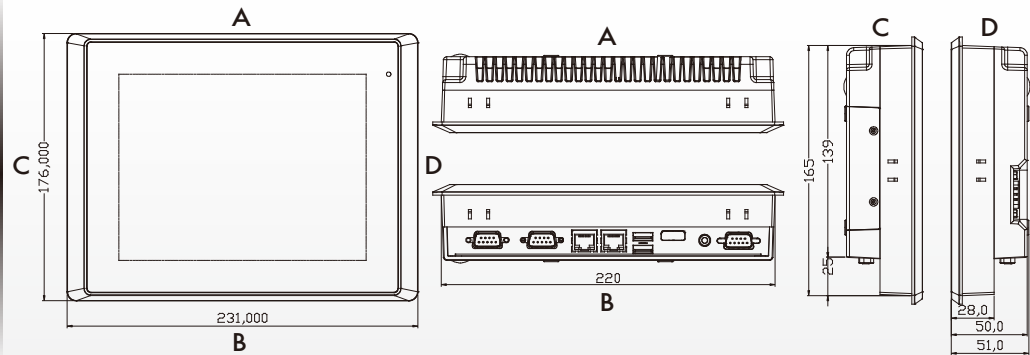
AR-PA707(P)FL-D2550	7" WVGA 800 x 480 fanless HMI With Atom D2550 1.86 GHz CPU (or with Atom N2600 1.6 GHz CPU), 2GB DDR3 memory, touch window resistive touch screen / projected capacitive touch screen, 9~36VDC input with adapter, Aluminum chassis.
AR-PA708(P)FL-D2550	8" SVGA 800 x 600 fanless HMI With Atom D2550 1.86 GHz CPU (or with Atom N2600 1.6 GHz CPU), 2GB DDR3 memory, touch window resistive touch screen / projected capacitive touch screen, 9~36VDC input with adapter, Aluminum chassis.
AR-PA710(P)FL-D2550	10.1" WVGA 1200 x 800 fanless HMI With Atom D2550 1.86 GHz CPU (or with Atom N2600 1.6 GHz CPU), 2GB DDR3 memory, touch window resistive touch screen / projected capacitive touch screen, 9~36VDC input with adapter, Aluminum chassis.

Dimension

AR-PA707(P)FL-D2550



AR-PA708(P)FL-D2550



AR-PA710(P)FL-D2550

