

# APC-MX6XXFL

# Unitronix

02 4977 3511  
9-37 Currans Road Cooranbong NSW 2265  
sales@unitronix.com.au www.unitronix.com.au

## Features

- 10.1"/12.1"/15" TFT-LCD Resistive Touch.
- Freescale I.MX6 DualLite 1.0GHz Onboard Processor.
- True Flat Front Bezel and Grade 304 Stainless Steel Enclosure (Grade 316 for Option).
- IP66/IP69K Rated with M12 Connectors.
- Touch on/off Button on the Side Edge for Hygienic Cleanin



## Specification

Model Name	APC-MX610FL	APC-MX612FL	APC-MX615FL
<b>System</b>			
CPU	Freescale I.MX6 DualLite ARM Cortex A9 processor 1.0GHz		
System Memory	Onboard 1GB DDR3 DRAM		
<b>Display</b>			
Display Type	10.1" TFT-LCD	12.1" TFT-LCD	15." TFT-LCD
Max. Resolution	1280 x 800	800 x 600 / 1024x768(optional)	1024 x 768
Max. Color	16.7 M	262K, 16.2M	16.7 M
Luminance (cd/m <sup>2</sup> )	350	450, 500	420
Contrast Ratio	800:1	800:1, 700:1	800:1
View angle(H°/V°)	H:170° / V:170°	H:160° / V:150°, H:160° / V:140°	H:160° / V:160°
Backlight Lifetime	15,000(hrs)	50,000 / 30,000(hrs)	50,000(hrs)
<b>Touch screen</b>			
Type	Resistive Touch Windows		
Interface	USB		
Light Transmission(%)	Resistive Touch Windows: 80%		
<b>Storage</b>			
HDD	Onboard 4GB eMMC NAND Flash		
<b>I/O Port</b>			
USB	1 x M12 8-pin for USB 2.0 with waterproof cap		
Serial/Parallel	1 x M12 8pin for COM 1, RS-232/422/485, Default RS-232, with waterproof cap		
LAN	1 x M12 8pin for LAN with waterproof cap		
Power	1 x Touch on/off button on the side		
<b>Expansion</b>			
On board expansion bus	1 x Mini PCIe slot for WIFI/BT (optional)		
<b>Power Requirement</b>			
Power Input	9~36V DC		
Power Consumption	Max:13.6W	Max:13.6W	Max: 11.8W
<b>Software</b>			
OS Support	Linux 3.2, Android 4.2.2		
<b>Mechanical</b>			
Construction	Stainless steel enclosure		
IP Rating	IP66 / IP69K		
Mounting	VESA 75 x 75, Yoke mount	VESA 75 x 75, Yoke mount	VESA 75 x 75, Yoke mount
Dimension (mm)	300 x 220 x 53	335 x 265 x 53	399 x 324 x 53
Net weight(Kgs)	3.8 kg	4.6 kg	7.1 kg

In-Vehicle Computer

Gaming Platform

Networking Appliance

Embedded SBC

Embedded System

Panel PC

## Environmental

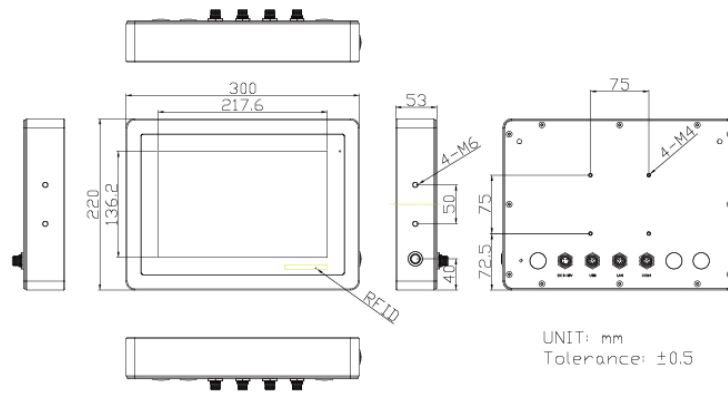
Operating temperature(°C)	-20~60°C
Storage temperature(°C)	-30~70°C
Storage humidity	10 to 90% @ 40°C, non- condensing
Certification	CE, FCC Class A,

## Ordering Information

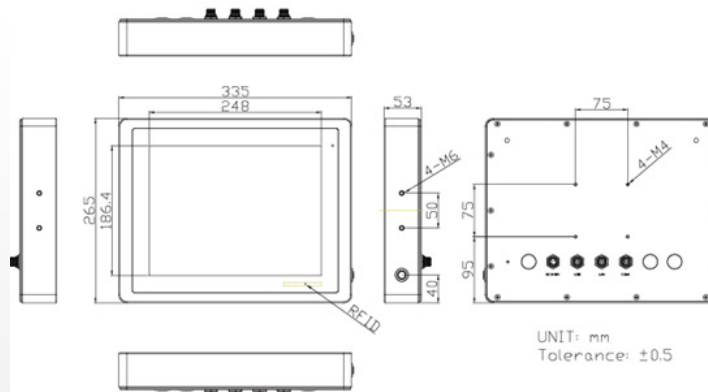
APC-MX610FL	10.1" WXGA IP66/IP69K stainless steel panel pc, Freescale i.MX6 Dual Lite ARM Cortex A9,1GB DDR3 RAM,4GB eMMC, 5 wire resistive touch window, 9~36V DC power input with Adapter.
APC-MX612FL	12.1" SVGA IP66/IP69K stainless steel panel pc, Freescale i.MX6 Dual Lite ARM Cortex A9,1GB DDR3 RAM,4GB eMMC, 5 wire resistive touch window, 9~36V DC power input with Adapter.
APC-MX615FL	15" XGA IP66/IP69K stainless steel panel pc, Freescale i.MX6 Dual Lite ARM Cortex A9,1GB DDR3 RAM,4GB eMMC, 5 wire resistive touch window, 9~36V DC power input with Adapter

## Dimension

### APC-MX610FL



### APC-MX612FL



### APC-MX615FL

